

Golf Rotor Parts Price List

**effective
January 1, 2008**

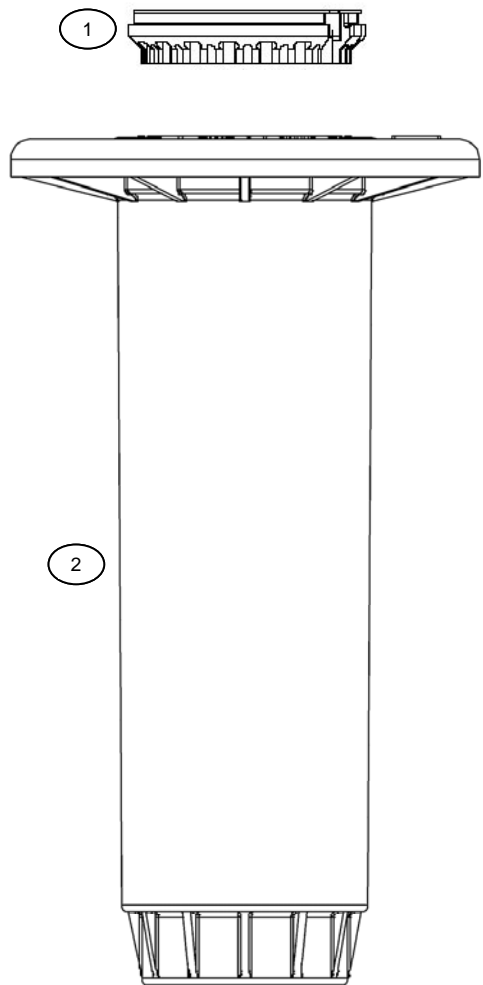
Supersedes all previous price lists. Price and specifications are subject to change without notice.

Table of Contents

B Series Rotors		
G60B/G70B Body	3
G60B Riser	4
G65B Riser	5
G70B Riser	6
G75B Riser	7
G60 Series Rotors		
G60E Body	8
G60C/G60H Body	9
G60 Riser	10
G65 Riser	11
G70 Series Rotors		
G70E Body	12
G70C/G70H Body	13
G70 Riser	14
G75 Riser	15
G90 Series Rotors		
G90E Body	16
G90C/G90H Body	17
G90 Riser	18
G95 Riser	19
G800 Series Rotors		
G800E Body	20
G800C/G800H Body	21
G860 Riser	22
G865 Riser	23
G870 Riser	24
G875 Riser	25
G880 Riser	26
G900 Series Rotors		
G900E Body	27
G900C/G900H Body	28
G990 Riser	29
G995 Riser	30
RT Series Rotors		
G60RT/G70RT Body	31
G60RT Riser	32
G65RT Riser	33
G70RT Riser	34
G75RT Riser	35
G80RT Body/Riser	36
Miscellaneous		
HYD-10 & HYD-12	37
Tools & Accessories	38
Rubber Cover Kits	39
Hose Swivel Adapters	39

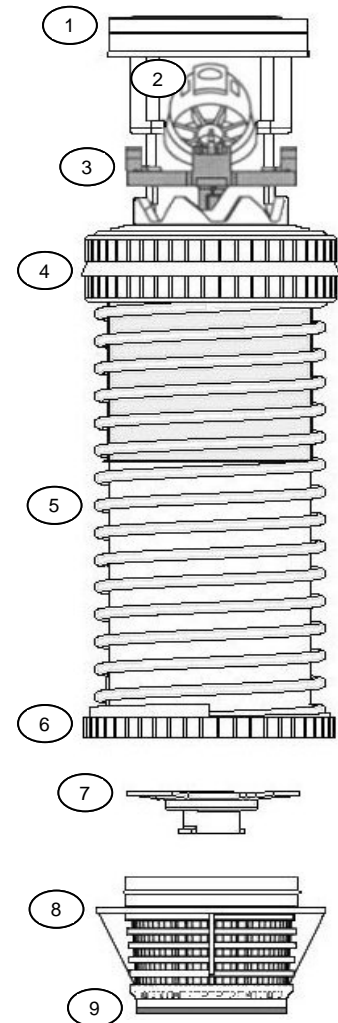
G60B/G70B Body Assembly: Block

Item	Description	Part No.	Price
1	Snap Ring Assy. - Upper (Black)	403400	
	Snap Ring Assy. - Upper (Purple) applications: reclaimed water sites	470600	
2	Body - Block w/ 1 1/4" ACME Inlet	401800	



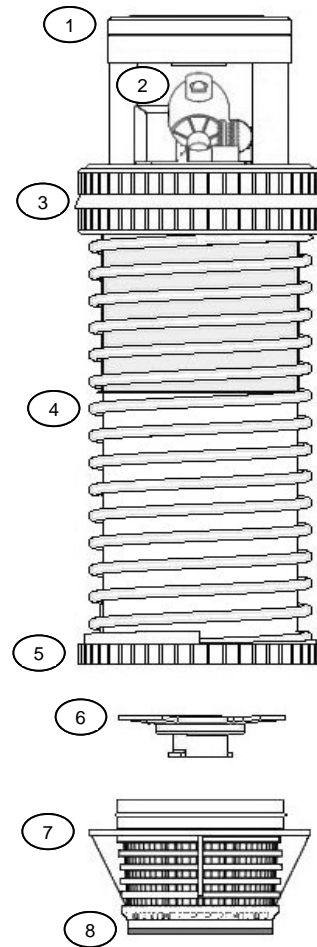
G60B Riser Assembly: Full-Circle Configuration

Item	Description	Part No.	Price
1	Rubber Logo Cap - (Black)	402600	
2	Screw - Nozzle Retainer	314300	
3	Diffuser Yoke	350600	
4	Seal Assembly - incl: seal supports and stainless steel sleeve	350100	
5	Spring - Riser Retraction	348700	
6	Riser Assembly - incl: items 1 - 10 Plus 403400 Snap Ring	474208	
7	Plate - Stator Adjustment	439600	
8	Screen - With Check Seal (Black)	424700	
9	Check Seal	424800	
10	Nozzle Pack	462374	
11	Nozzle - Bag Of 25		
	# 7 - Orange	463471	
	#10 - Light Green	463472	
	#13 - Light Blue	463473	
	#15 - Gray	463474	
	#18 - Red	463475	
	#20 - Dark Brown	463476	



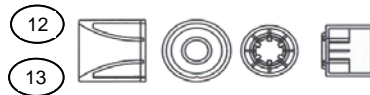
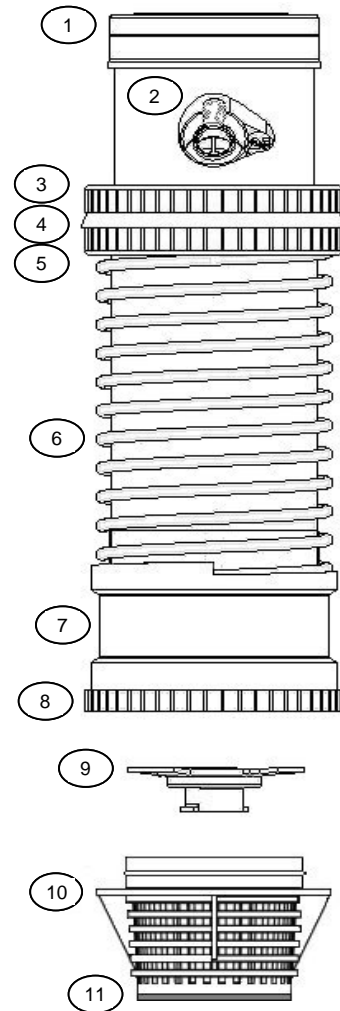
G65B Riser Assembly: Adjustable Arc Configuration

Item	Description	Part No.	Price
1	Rubber Logo Cap - (Black)	402700	
2	Screw - Nozzle Retainer	314300	
3	Seal Assembly - incl: seal supports and stainless steel sleeve	350100	
4	Spring - Riser Retraction	348700	
5	Riser Assembly - incl: items 1 - 9 Plus 403400 Snap Ring	474209	
6	Plate - Stator Adjustment	439600	
7	Screen - With Check Seal (Black)	424700	
8	Check Seal	424800	
9	Nozzle Pack	462373	
10	Nozzle - Bag Of 25		
	# 7 - Orange	472373	
	#10 - Light Green	472374	
	#13 - Light Blue	472375	
	#15 - Gray	472376	
	#18 - Red	472377	
	#20 - Dark Brown	472378	



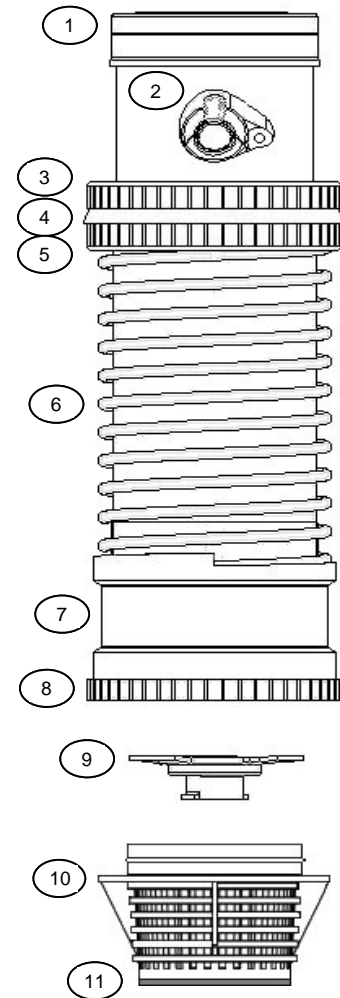
G70B Riser Assembly: Full-Circle Configuration

Item	Description	Part No.	Price
1	Rubber Logo Cap - (Black)	402710	
2	Screw - Nozzle Retainer	314300	
3	Support - Riser Seal Upper	349100	
4	Seal - Riser	348900	
5	Support - Riser Seal Lower	238300	
6	Spring - Riser Retraction	348700	
7	Bumper - Riser	405700	
8	Riser Assembly - incl: items 1 - 12 Plus 403400 Snap Ring	474210	
9	Plate - Stator Adjustment	439600	
10	Screen - With Check Seal (Black)	424700	
11	Check Seal	424800	
12	Nozzle Pack	463210	
13	Nozzle Assy - Bag Of 25		
	#15 - Gray	463213	
	#18 - Red	463214	
	#20 - Dark Brown	463215	
	#23 - Dark Green	463216	
	#25 - Dark Blue	463217	
	#28 - Black	463218	



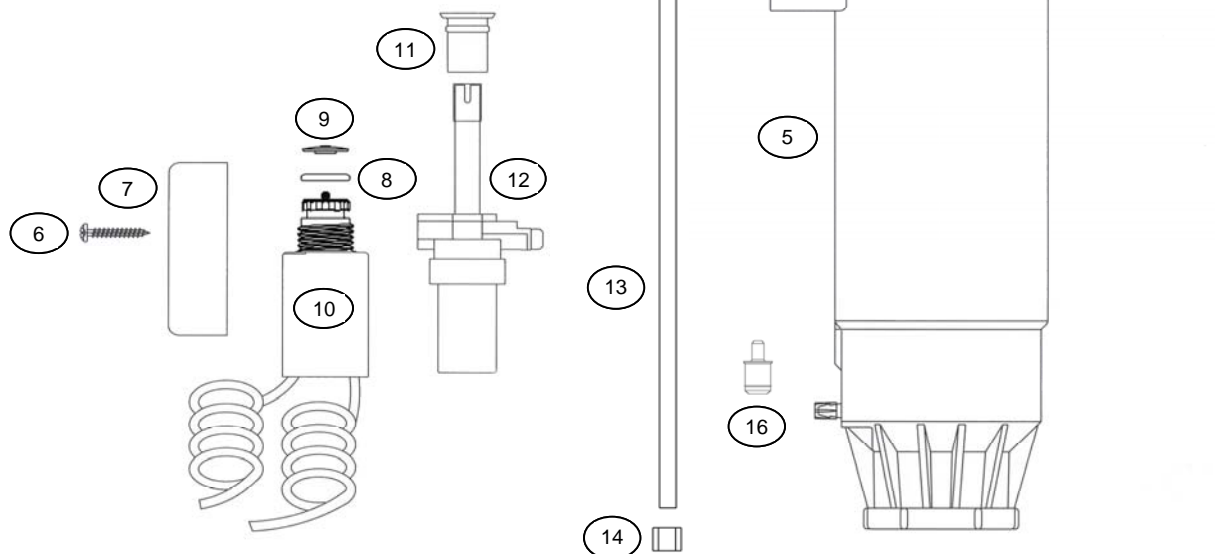
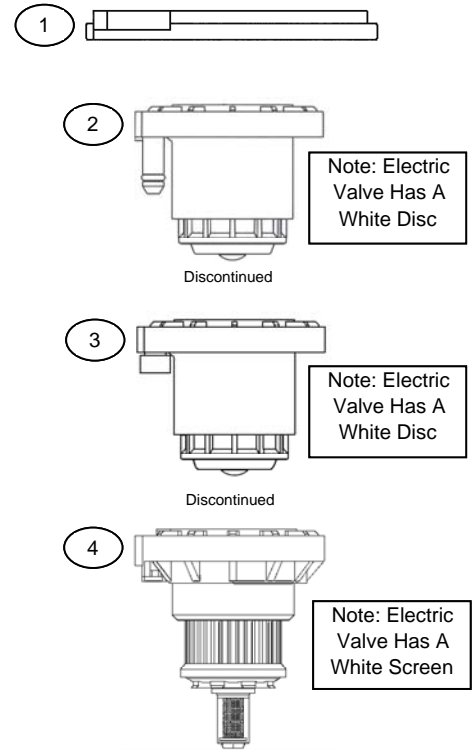
G75B Riser Assembly: Adjustable Arc Configuration

Item	Description	Part No.	Price
1	Rubber Logo Cap - (Black)	402720	
2	Screw - Nozzle Retainer	314300	
3	Support - Riser Seal Upper	349100	
4	Seal - Riser	348900	
5	Support - Riser Seal Lower	238300	
6	Spring - Riser Retraction	348700	
7	Bumper - Riser	405700	
8	Riser Assembly - incl: items 1 - 12 Plus 403400 Snap Ring	474211	
9	Plate - Stator Adjustment	439600	
10	Screen - With Check Seal (Black)	424700	
11	Check Seal	424800	
12	Nozzle Pack	461532	
13	Nozzle Assy - Bag Of 25		
	# 8 - Light Brown	463404	
	#10 - Light Green	463405	
	#13 - Light Blue	463406	
	#15 - Gray	463407	
	#18 - Red	463408	
	#20 - Dark Brown	463409	
	#23 - Dark Green	463410	
	#25 - Dark Blue	463411	
	#28 - Black	463412	



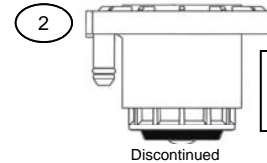
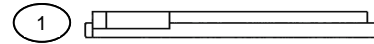
G60E Body Assembly: Electric Valve-In-Head

Item	Description	Part No.	Price
1	Snap Ring - Lower (White)	248800	
2	Inlet Valve Assembly - Electric VIH Date Codes 1/98 & Prior (White Disc) - DISCONTINUED	Use 1 each 446400 381100	
3	Inlet Valve Assembly - Electric VIH Date Codes 2/98 to 7/02 (White Disc) - DISCONTINUED	Use 446400	
4	Inlet Valve Assembly - Electric VIH Date Codes 8/02 & After Supercedes 400400 (White Screen)	446400	
5	Body Assembly, Electric VIH incl: items 1, 4 & 5	463239	
6	Screw - Pilot Valve Cover	221400	
7	Cover - Pilot Valve Box	319001	
8	O-Ring - Solenoid Thread Seal	262600	
9	Seal - Solenoid Plunger Seal	364400	
10	Solenoid Assembly (Includes Items 7 & 8)	434100	
11	Rubber Boot - Pilot Valve Selector	291700	
12	Pilot Valve Assembly - Electric VIH Specify Pressure In Part Number, Includes Items 12, 13 + connector	2975-??	
13	Control Tubing - 1/4" x 11"	289305	
14	Tube Retainer - 1/4" Tubing	261000	
15	Tube Connector - 1/4" x 1/4" Tubing (not shown)	297600	
16	Valve Adapter Fitting - "Silver Bullet" (to update from 294800 to 446400)	381100	

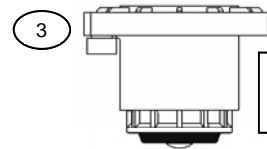


G60C Body Assembly: Check-O-Matic & Hydraulic

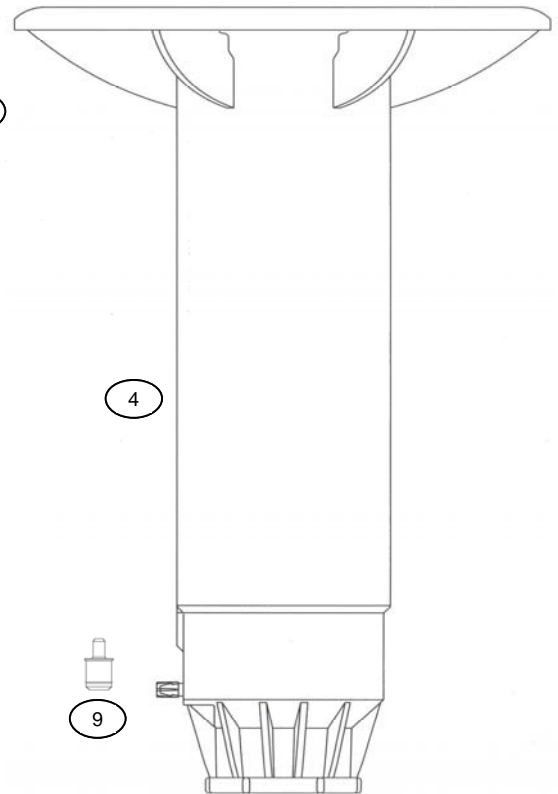
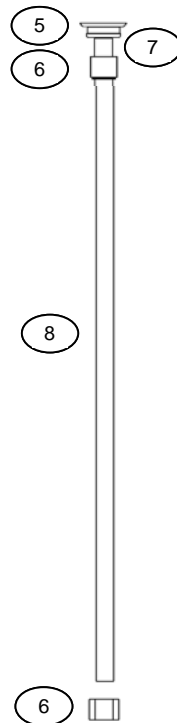
Item	Description	Part No.	Price
1	Snap Ring - Lower (White)	248800	
2	Inlet Valve Assembly - C.O.M. & N.O. Hydraulic (Black Disc) Date 1/98 & Prior (DISCONTINUED)	Use 1 each 400300 381100	
3	Inlet Valve Assembly - C.O.M. & N.O. Hydraulic (Black Disc) Date Codes 2/98 & After	400300	
4	Body Assembly, C.O.M. & N.O. Hydraulic - incl: items 1 thru 8	463237	
5	Vent Cap - Valve Air Bleed	456600	
6	Tube Retainer - 1/4" Tubing	261000	
7	Tube Connector - 1/4"x1/4" Tubing (not shown)	297600	
8	Control Tubing - 1/4" x 11"	289305	
9	Valve Adapter Fitting - "Silver Bullet" (to update from 294800 to 446400)	381100	



Note: COM / HYD Valve Has A Black Disc

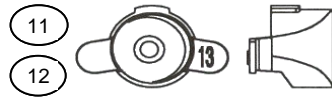
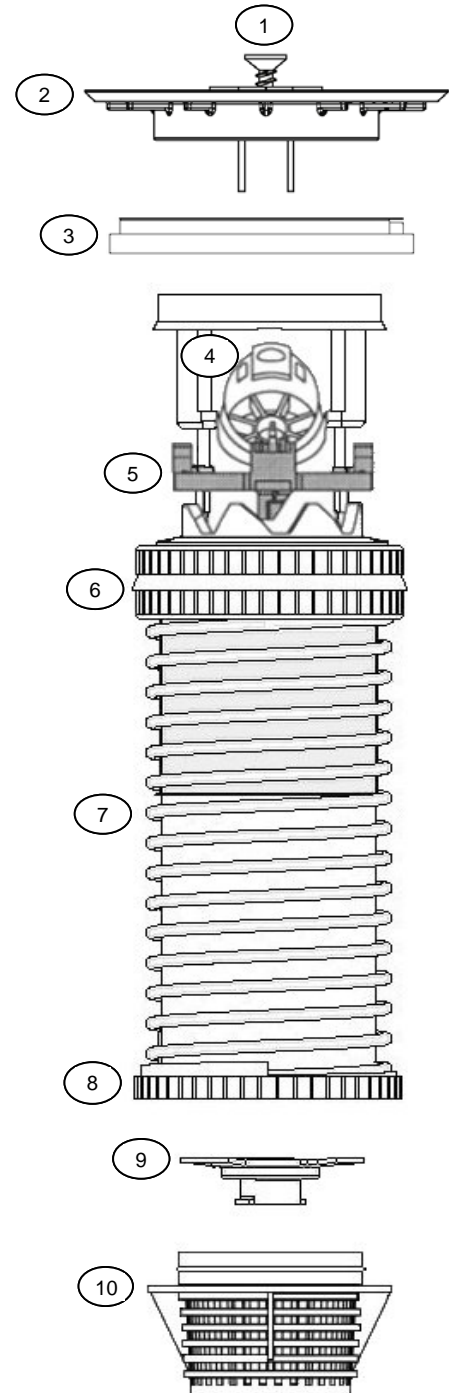


Note: COM / HYD Valve Has A Black Disc



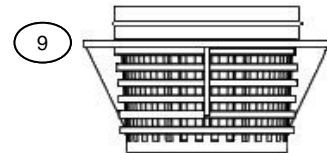
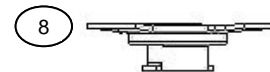
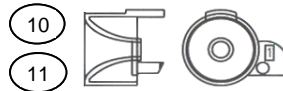
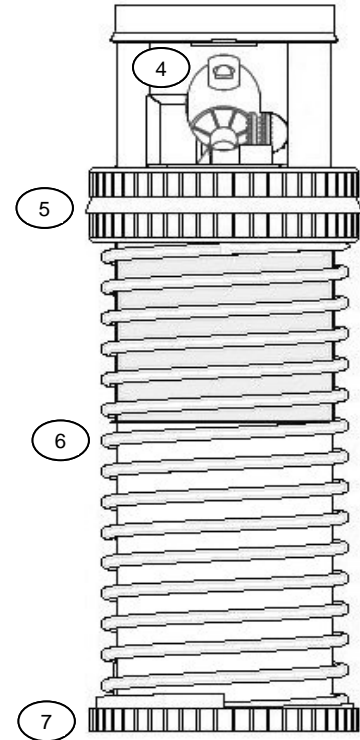
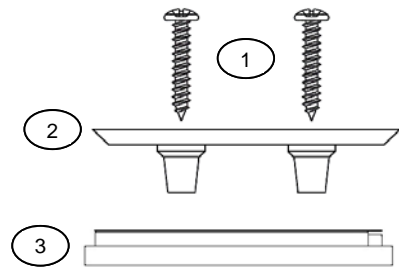
G60 Riser Assembly: Full-Circle Configuration

Item	Description	Part No.	Price
1	Screw - Logo Cap	351800	
2	Logo Cap (Black)	377105	
	Logo Cap (Purple) applications: reclaimed water sites	377110	
3	Snap Ring Assy - Upper (Black)	382400	
4	Screw - Nozzle Retainer	314300	
5	Diffuser Yoke	350600	
6	Seal Assembly - incl: seal supports and stainless steel sleeve	350100	
7	Spring - Riser Retraction	348700	
8	Riser Assembly - incl: items 3 - 11	463507	
9	Plate - Stator Adjustment	439600	
10	Screen - Riser Inlet	429500	
11	Nozzle Pack	462374	
12	Nozzle - Bag Of 25		
	# 7 - Orange	463471	
	#10 - Light Green	463472	
	#13 - Light Blue	463473	
	#15 - Gray	463474	
	#18 - Red	463475	
	#20 - Dark Brown	463476	



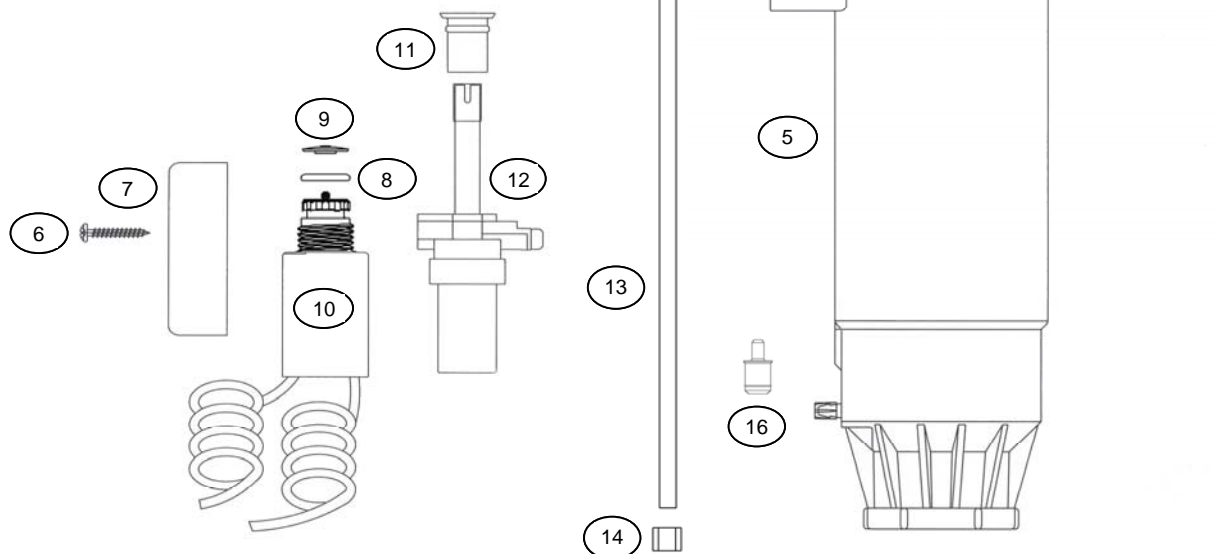
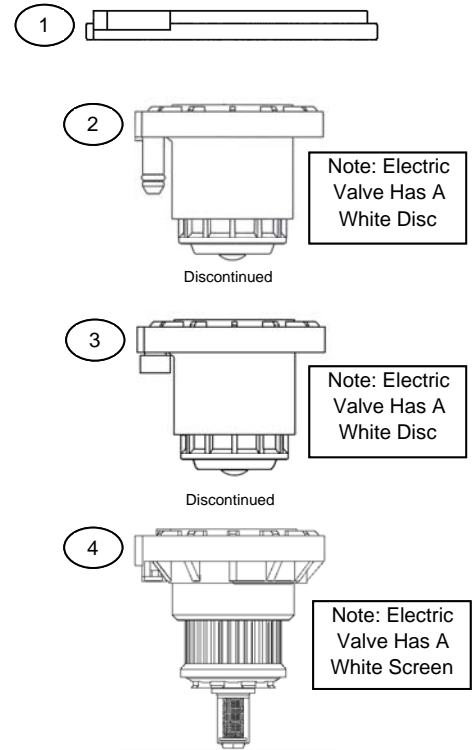
G65 Riser Assembly: Adjustable Arc Configuration

Item	Description	Part No.	Price
1	Screw - Logo Cap	376400	
2	Logo Cap (Black)	377305	
	Logo Cap (Purple) applications: reclaimed water sites	377310	
3	Snap Ring Assy - Upper (Black)	382400	
4	Screw - Nozzle Retainer	314300	
5	Seal Assembly - incl: seal supports and stainless steel sleeve	350100	
6	Spring - Riser Retraction	348700	
7	Riser Assembly - incl: items 3 - 10	462482	
8	Plate - Stator Adjustment	439600	
9	Screen - Riser Inlet	429500	
10	Nozzle Pack	462373	
11	Nozzle - Bag Of 25		
	# 7 - Orange	472373	
	#10 - Light Green	472374	
	#13 - Light Blue	472375	
	#15 - Gray	472376	
	#18 - Red	472377	
	#20 - Dark Brown	472378	



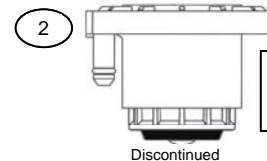
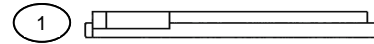
G70E Body Assembly: Electric Valve-In-Head

Item	Description	Part No.	Price
1	Snap Ring - Lower (White)	248800	
2	Inlet Valve Assembly - Electric VIH Date Codes 1/98 & Prior (White Disc) - DISCONTINUED	Use 1 each 446400 381100	
3	Inlet Valve Assembly - Electric VIH Date Codes 2/98 to 7/02 (White Disc) - DISCONTINUED	Use 446400	
4	Inlet Valve Assembly - Electric VIH Date Codes 8/02 & After Supercedes 400400 (White Screen)	446400	
5	Body Assembly, Electric VIH incl: items 1, 4 & 5	463239	
6	Screw - Pilot Valve Cover	221400	
7	Cover - Pilot Valve Box	319001	
8	O-Ring - Solenoid Thread Seal	262600	
9	Seal - Solenoid Plunger Seal	364400	
10	Solenoid Assembly (Includes Items 7 & 8)	434100	
11	Rubber Boot - Pilot Valve Selector	291700	
12	Pilot Valve Assembly - Electric VIH Specify Pressure In Part Number, Includes Items 12, 13 + connector	2975-??	
13	Control Tubing - 1/4" x 11"	289305	
14	Tube Retainer - 1/4" Tubing	261000	
15	Tube Connector - 1/4" x 1/4" Tubing (not shown)	297600	
16	Valve Adapter Fitting - "Silver Bullet" (to update from 294800 to 446400)	381100	

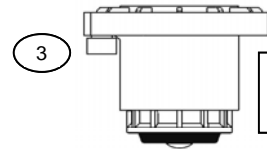


G70C Body Assembly: Check-O-Matic & Hydraulic

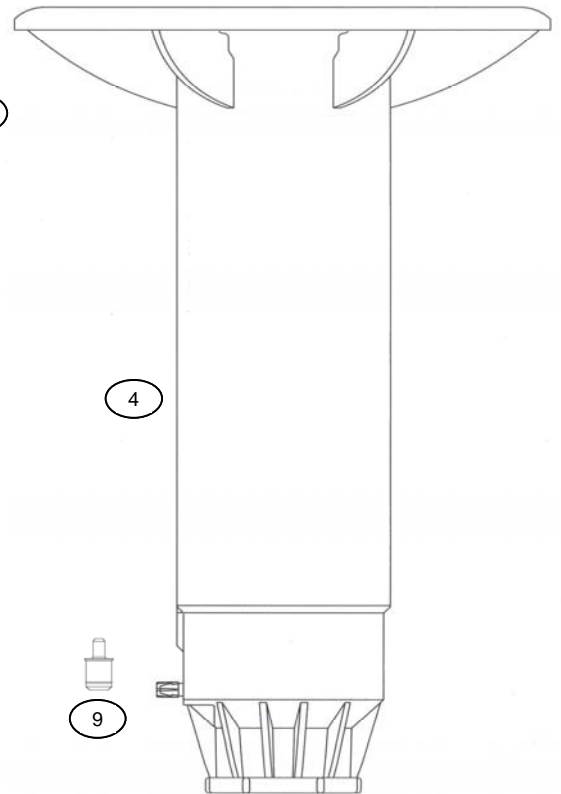
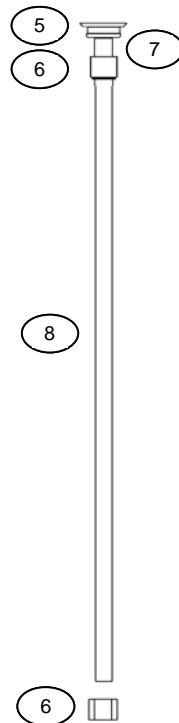
Item	Description	Part No.	Price
1	Snap Ring - Lower (White)	248800	
2	Inlet Valve Assembly - C.O.M. & N.O. Hydraulic (Black Disc) Date 1/98 & Prior (DISCONTINUED)	Use 1 each 400300 381100	
3	Inlet Valve Assembly - C.O.M. & N.O. Hydraulic (Black Disc) Date Codes 2/98 & After	400300	
4	Body Assembly, C.O.M. & N.O. Hydraulic - incl: items 1 thru 8	463237	
5	Vent Cap - Valve Air Bleed	456600	
6	Tube Retainer - 1/4" Tubing	261000	
7	Tube Connector - 1/4"x1/4" Tubing (not shown)	297600	
8	Control Tubing - 1/4" x 11"	289305	
9	Valve Adapter Fitting - "Silver Bullet" (to update from 294800 to 446400)	381100	



Note: COM / HYD Valve Has A Black Disc

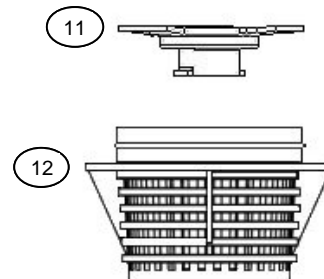
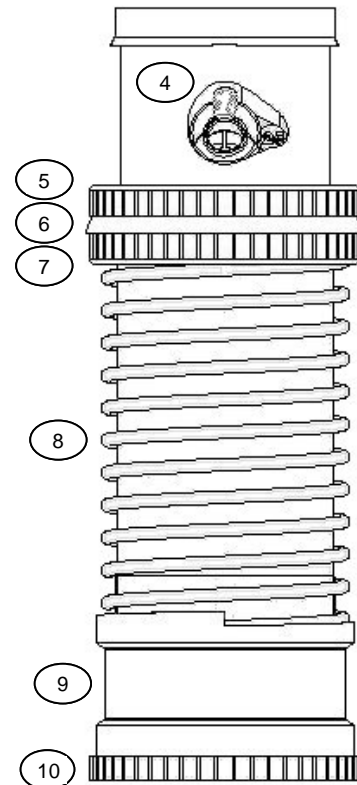
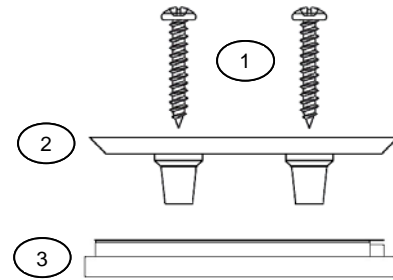


Note: COM / HYD Valve Has A Black Disc



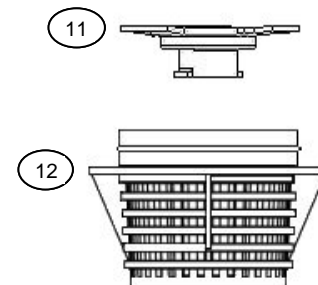
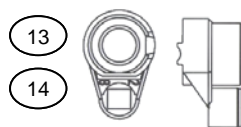
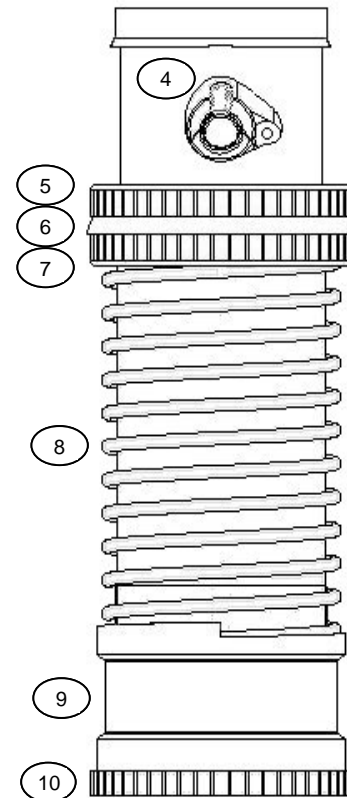
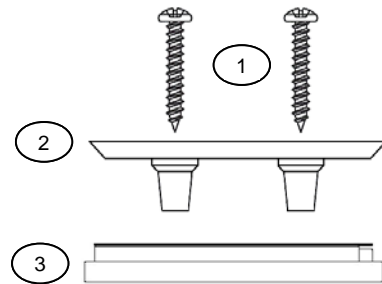
G70 Riser Assembly: Full-Circle Configuration

Item	Description	Part No.	Price
1	Screw - Logo Cap	376400	
2	Logo Cap (Black)	377505	
	Logo Cap (Purple) applications: reclaimed water sites	377510	
3	Snap Ring Assy - Upper (Black)	382400	
4	Screw - Nozzle Retainer	314300	
5	Support - Riser Seal Upper	349100	
6	Seal - Riser	348900	
7	Support - Riser Seal Lower	238300	
8	Spring - Riser Retraction	348700	
9	Bumper - Riser	405700	
10	Riser Assembly - incl: items 3 - 13	463020	
11	Plate - Stator Adjustment	439600	
12	Screen - Riser Inlet	429500	
13	Nozzle Pack	463210	
14	Nozzle Rack - Bag Of 25		
	#15 - Gray	463213	
	#18 - Red	463214	
	#20 - Dark Brown	463215	
	#23 - Dark Green	463216	
	#25 - Dark Blue	463217	
	#28 - Black	463218	



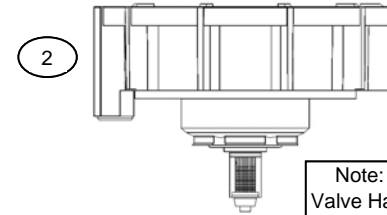
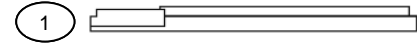
G75 Riser Assembly: Adjustable Arc Configuration

Item	Description	Part No.	Price
1	Screw - Logo Cap	376400	
2	Logo Cap (Black)	377705	
	Logo Cap (Purple) applications: reclaimed water sites	377710	
3	Snap Ring Assy - Upper (Black)	382400	
4	Screw - Nozzle Retainer	314300	
5	Support - Riser Seal Upper	349100	
6	Seal - Riser	348900	
7	Support - Riser Seal Lower	238300	
8	Spring - Riser Retraction	348700	
9	Bumper - Riser	405700	
10	Riser Assembly - incl: items 3 - 13	463014	
11	Plate - Stator Adjustment	439600	
12	Screen - Riser Inlet	429500	
13	Nozzle Pack	461532	
14	Nozzle Assy - Bag Of 25		
	# 8 - Light Brown	463404	
	#10 - Light Green	463405	
	#13 - Light Blue	463406	
	#15 - Gray	463407	
	#18 - Red	463408	
	#20 - Dark Brown	463409	
	#23 - Dark Green	463410	
	#25 - Dark Blue	463411	
#28 - Black	463412		

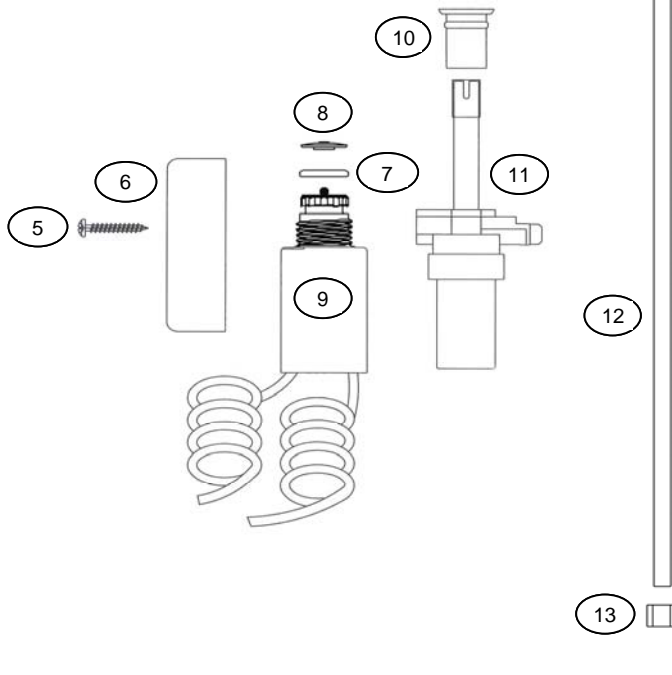
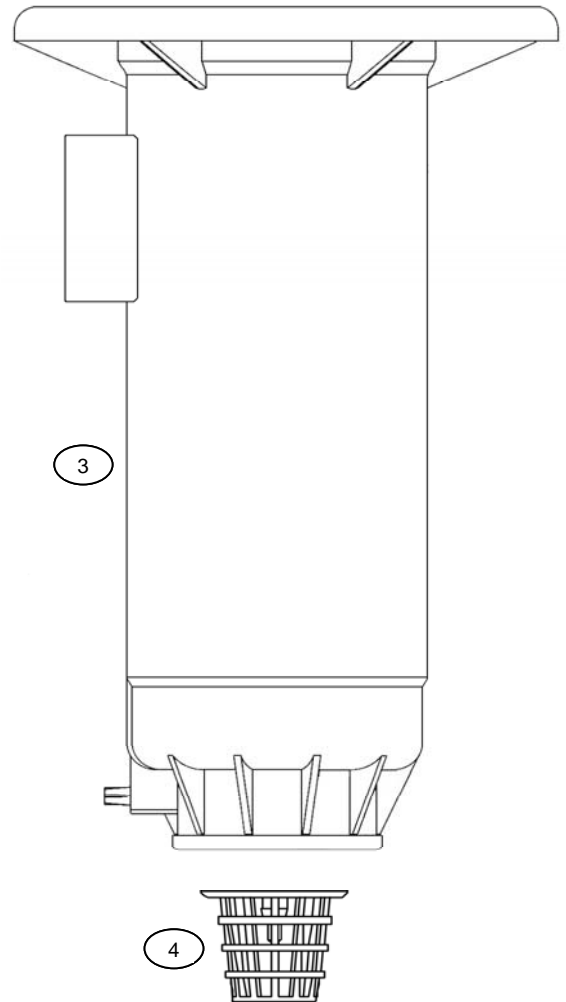


G90E Body Assembly: Electric Valve-In-Head

Item	Description	Part No.	Price
1	Snap Ring - Lower (White)	283000	
2	Inlet Valve Assembly - Electric (White Screen)	289100	
3	Body Assembly - Electric VIH incl: items 1 thru 4	463242	
4	Rock Screen	284600	
5	Screw - Pilot Valve Cover	221400	
6	Cover - Pilot Valve Box	319001	
7	O-Ring - Solenoid Thread Seal	262600	
8	Seal - Solenoid Plunger Seal	364400	
9	Solenoid Assembly (Includes Items 7 & 8)	434100	
10	Rubber Boot - Pilot Valve Selector	291700	
11	Pilot Valve Assembly - Electric VIH Specify Pressure In Part Number, Includes Items 12, 13 + connector	2975-??	
12	Control Tubing - 1/4" x 11"	289305	
13	Tube Retainer - 1/4" Tubing	261000	
14	Tube Connector - 1/4" x 1/4" Tubing (not shown)	297600	

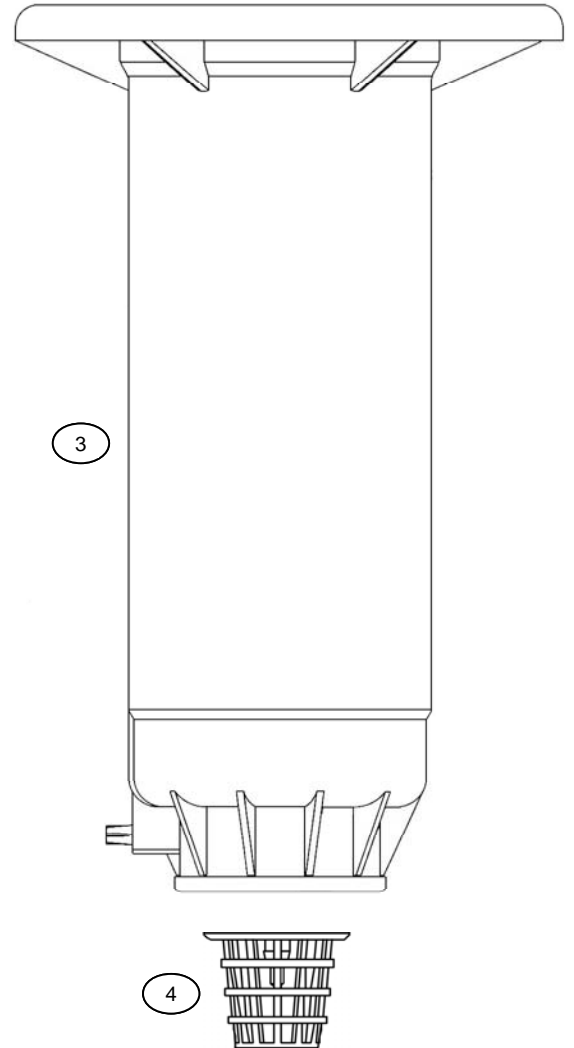
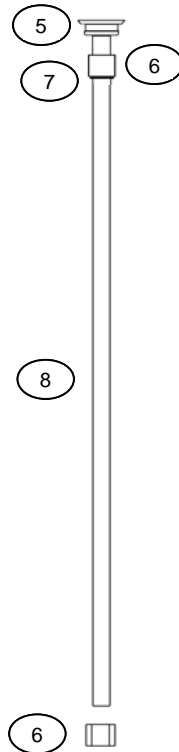
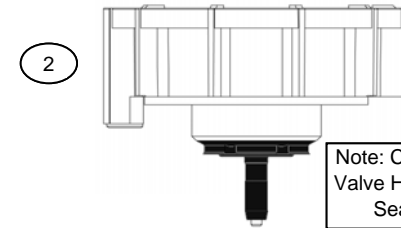
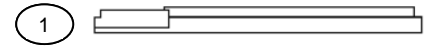


Note: Electric Valve Has A White Screen



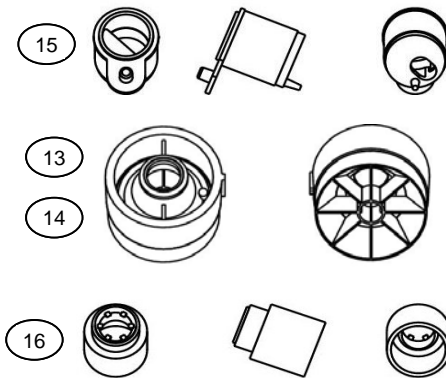
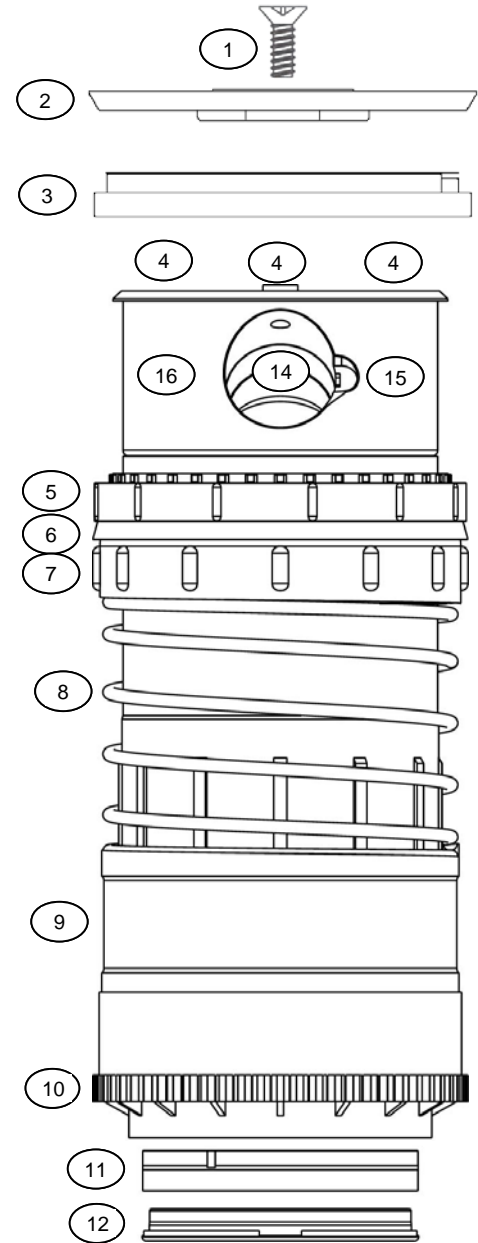
G90C Body Assembly: Check-O-Matic & Hydraulic

Item	Description	Part No.	Price
1	Snap Ring - Lower (White)	283000	
2	Inlet Valve Assembly - C.O.M. & N.O. Hydraulic (Black Seat Seal)	288500	
3	Body Assembly, C.O.M. & N.O. Hydraulic - incl: items 1 thru 8	463240	
4	Rock Screen	284600	
5	Vent Cap - Valve Air Bleed	456600	
6	Tube Retainer - 1/4" Tubing	261000	
7	Tube Connector - 1/4"x1/4" Tubing (not shown)	297600	
8	Control Tubing - 1/4" x 11"	289305	



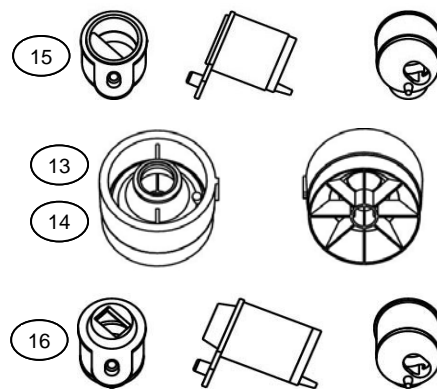
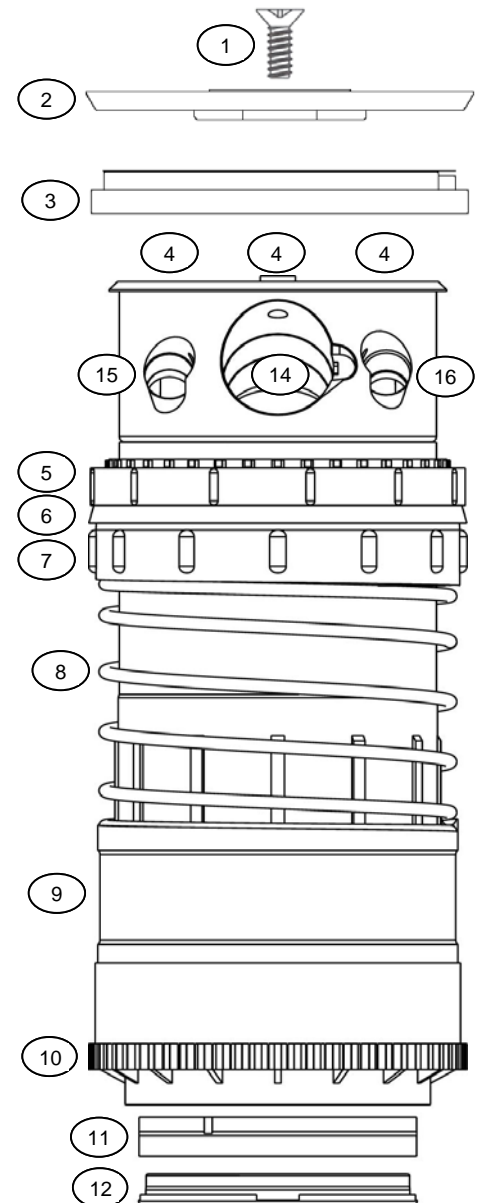
G90 Riser Assembly: Full-Circle Configuration

Item	Description	Part No.	Price
1	Screw - Logo Cap Retainer	351800	
2	Rubber Logo Cap - (Black)	377905	
	Rubber Logo Cap - (Purple) applications: reclaimed water sites	664005	
3	Snap Ring Assy. - (Black)	430700	
4	Screw - Nozzle Retainer	314300	
5	Support - Riser Seal Upper	406200	
6	Seal - Riser	406100	
7	Support - Riser Seal Lower	406300	
8	Spring - Riser Retraction	428600	
9	Bumper - Riser	405800	
10	Riser Assembly - incl: items 3 - 13, 15 & 16	463002	
11	Plate - Stator Adjustment	283300	
12	Screen - Riser Inlet	286800	
13	Nozzle Pack - Primary Nozzles	461204	
14	Primary Nozzles - Bag Of 25		
	#33 - Gray	464363	
	#38 - Red	464364	
	#43 - Dark Brown	464365	
	#48 - Dark Green	464366	
	#53 - Dark Blue	464367	
	#63 - Black	464368	
15	Nozzle - Short-Range (Left, Black)	439100	
16	Nozzle - Mid-Range (Right, Blue)	455400	



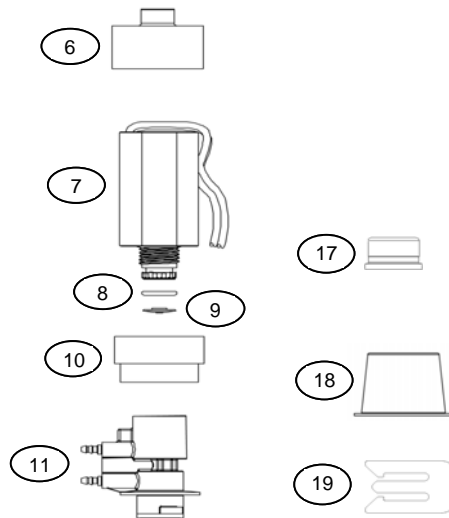
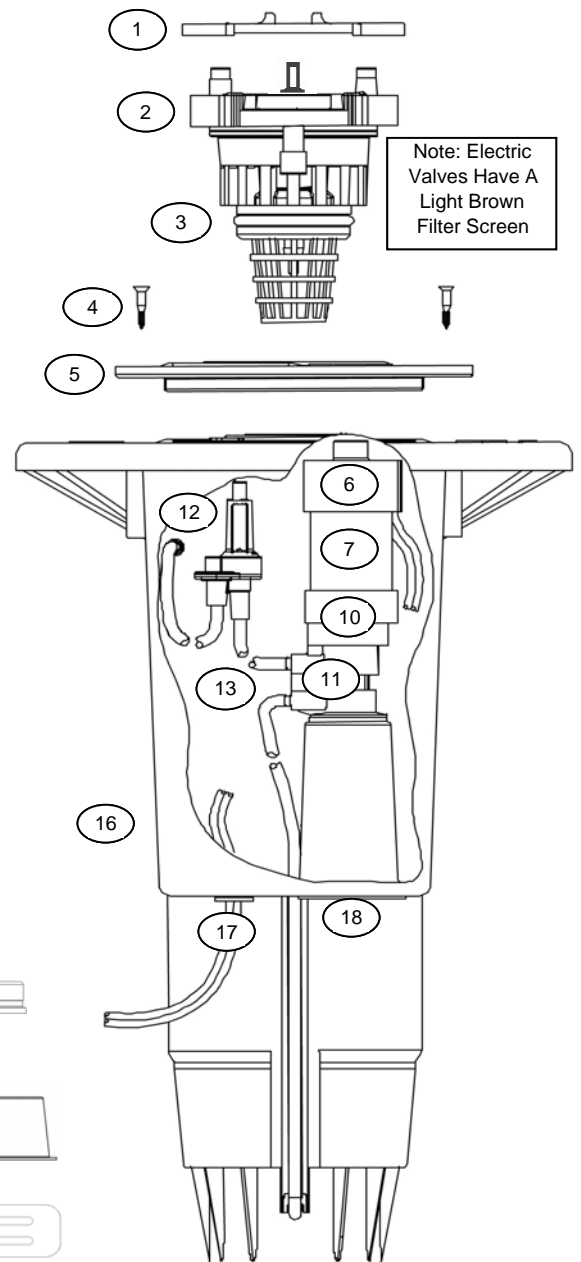
G95 Riser Assembly: Adjustable Arc Configuration

Item	Description	Part No.	Price
1	Screw - Logo Cap Retainer	351800	
2	Rubber Logo Cap - (Black)	378105	
	Rubber Logo Cap - (Purple) applications: reclaimed water sites	378110	
3	Snap Ring Assy. - (Black)	430700	
4	Screw - Nozzle Retainer	314300	
5	Support - Riser Seal Upper	406200	
6	Seal - Riser	406100	
7	Support - Riser Seal Lower	406300	
8	Spring - Riser Retraction	428600	
9	Bumper - Riser	405800	
10	Riser Assembly - incl: items 3 - 13, 15 & 16	463004	
11	Plate - Stator Adjustment	283300	
12	Screen - Riser Inlet	286800	
13	Nozzle Pack - Primary Nozzles	461204	
14	Primary Nozzles - Bag Of 25		
	#33 - Gray	464363	
	#38 - Red	464364	
	#43 - Dark Brown	464365	
	#48 - Dark Green	464366	
	#53 - Dark Blue	464367	
	#63 - Black	464368	
15	Nozzle - Short-Range (Left, Black)	439100	
16	Nozzle - Mid-Range (Right, Green)	439000	



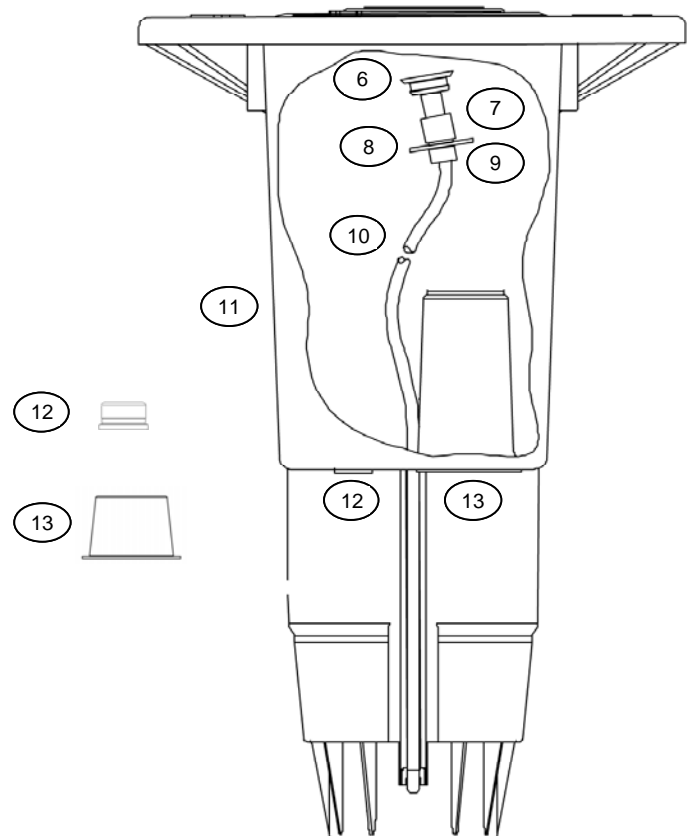
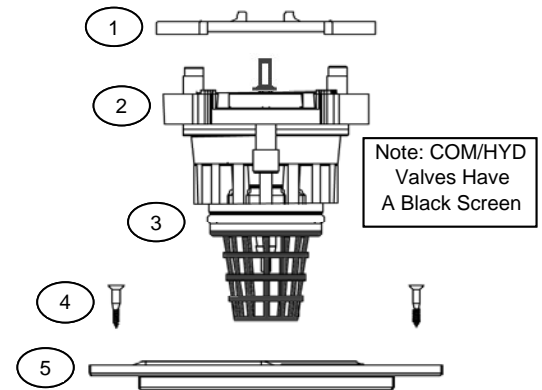
G800E Body Assembly: Electric Valve-In-Head

Item	Description	Part No.	Price
1	Snap Ring - Lower (White)	526800	
2	Inlet Valve Assembly - Electric VIH (Light Brown Screen)	563400	
3	O-Ring - Inlet Valve To Body Seal	426300	
4	Screw - Flange Lid Retainer	376400	
5	Lid - Flange Compartment - Electric Recessed Yardage Marker Area	449420	
	Lid - Flange Compartment - Electric Raised Yardage Marker Area	449410	
6	Selector Cap & Detent Ring Kit	461536	
7	Solenoid Kit (Includes Items 6, 7, 8, 9 & 10)	461537	
8	O-Ring - Solenoid Thread Seal	262600	
9	Seal - Solenoid Plunger Seal	364400	
10	Selector Cap & Detent Ring Kit	461536	
11	Pilot Valve Kit - Electric VIH (black)	461540	
12	Pressure Regulator Kit - Variable (50 to 120 psi)	674800	
13	Control Tubing Kit - incl: 24" of 1/8" tubing, connector & retainers (2)	461539	
14	Tube Retainer - 1/8" Tubing (not shown)	476000	
15	Connector - 1/8"x 1/8" Tubing (not shown)	494400	
16	Body Assembly, Electric VIH - incl: tubing to pilot valve & tubing to regulator plus items 4,5,16,17 & 18. (does not include pilot valve or pressure regulator)	463736	
17	Cap, Protective - solenoid wires	456800	
18	Cap, Protective - lower compartment	474400	
19	Restraint -Solenoid Wires	669300	



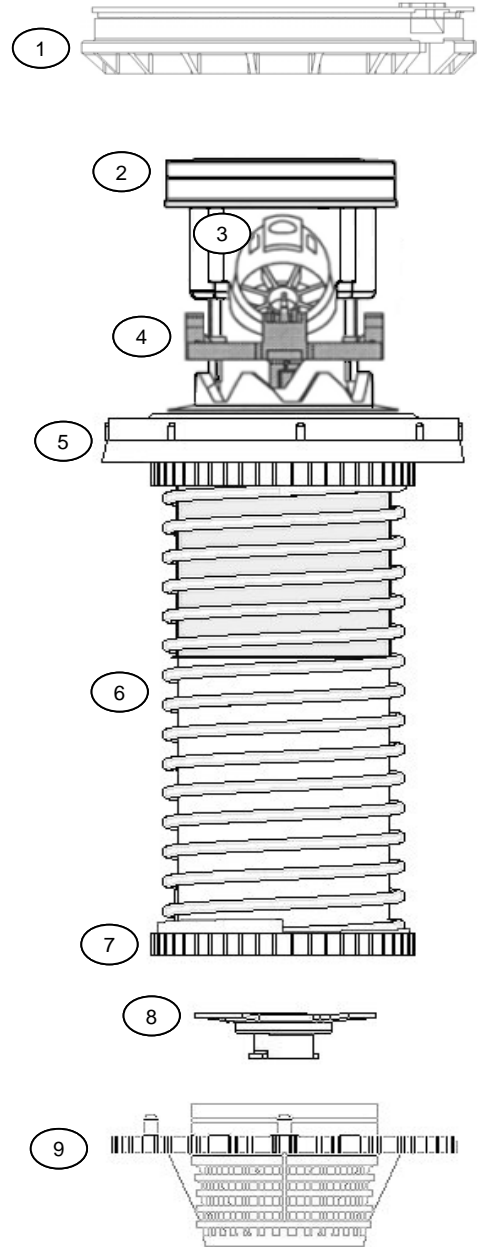
G800C Body Assembly: Check-O-Matic & Hydraulic

Item	Description	Part No.	Price
1	Snap Ring - Lower (White)	526800	
2	Inlet Valve Assembly - C.O.M. & N.O. Hydraulic (Black Screen)	679900	
3	O-Ring - Inlet Valve To Body Seal	426300	
4	Screw - Flange Lid Retainer	376400	
5	Lid - Flange Compartment - C.O.M. Recessed Yardage Marker Area	449405	
	Lid - Flange Compartment - C.O.M. Raised Yardage Marker Area	449415	
6	Vent Cap - Valve Air Bleed	456600	
7	Tube Retainer - 1/4" Tubing	261000	
8	Connector - 1/4"x1/8" Tubing (not shown)	402100	
9	Tube Retainer - 1/8" Tubing	476000	
10	Control Tubing Kit - incl: 24" of 1/8" tubing, connector & retainers (2)	461539	
11	Body Assembly, C.O.M. & N.O. Hydraulic - incl: items 4 thru 13	463734	
12	Cap, Protective - solenoid wires	456800	
13	Cap, Protective - lower compartment	474400	



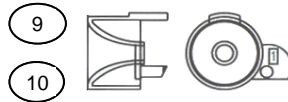
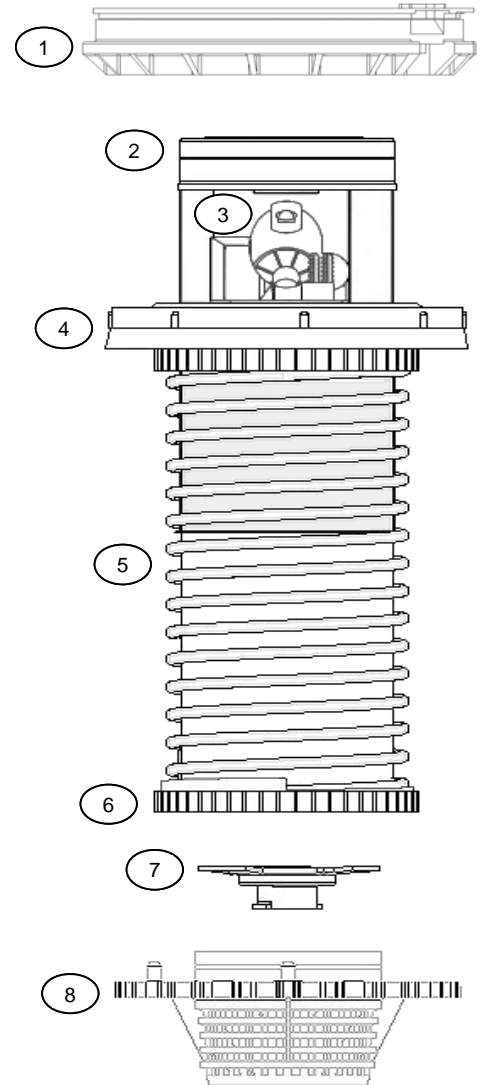
G860 Riser Assembly: Full-Circle Configuration

Item	Description	Part No.	Price
1	Snap Ring Assy. - Upper (Black)	610100	
	Snap Ring Assy. - Upper (Purple) applications: reclaimed water sites	610105	
2	Rubber Logo Cap - (Black)	402600	
3	Screw - Nozzle Retainer	314300	
4	Diffuser Yoke	350600	
5	Seal Assembly - incl: seal supports and stainless steel sleeve	457400	
6	Spring - Riser Retraction	348700	
7	Riser Assembly - incl: items 1 - 10	474572	
8	Plate - Stator Adjustment	439600	
9	Screen - Riser Inlet	450600	
10	Nozzle Pack	462374	
11	Nozzle - Bag Of 25		
	# 7 - Orange	463471	
	#10 - Light Green	463472	
	#13 - Light Blue	463473	
	#15 - Gray	463474	
	#18 - Red	463475	
	#20 - Dark Brown	463476	



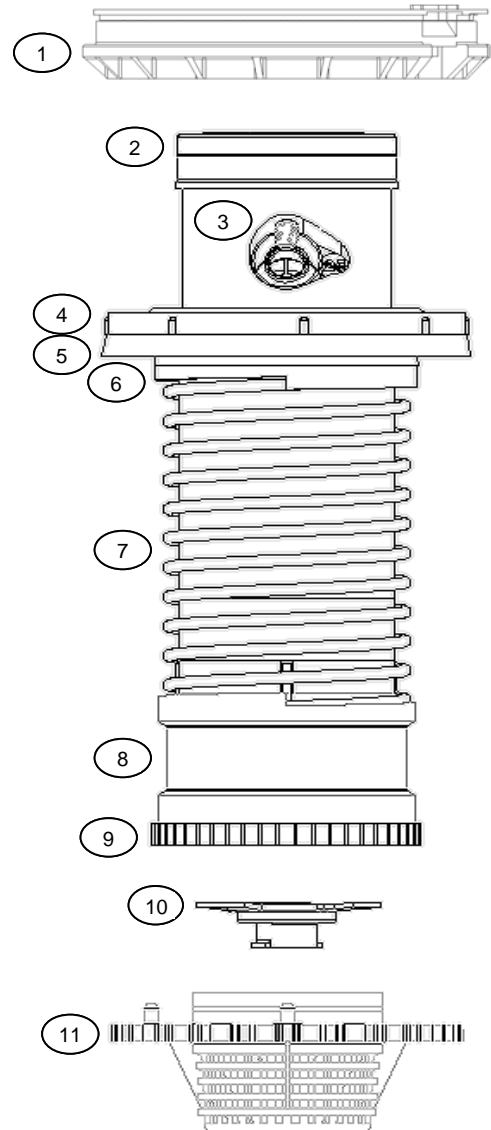
G865 Riser Assembly: Adjustable Arc Configuration

Item	Description	Part No.	Price
1	Snap Ring Assy. - Upper (Black)	610100	
	Snap Ring Assy. - Upper (Purple) applications: reclaimed water sites	610105	
2	Rubber Logo Cap - (Black)	402700	
3	Screw - Nozzle Retainer	314300	
4	Seal Assembly - incl: seal supports and stainless steel sleeve	457400	
5	Spring - Riser Retraction	348700	
6	Riser Assembly - incl: items 1 - 9	474573	
7	Plate - Stator Adjustment	439600	
8	Screen - Riser Inlet	450600	
9	Nozzle Pack	462373	
10	Nozzle - Bag Of 25		
	# 7 - Orange	472373	
	#10 - Light Green	472374	
	#13 - Light Blue	472375	
	#15 - Gray	472376	
	#18 - Red	472377	
	#20 - Dark Brown	472378	



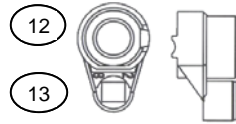
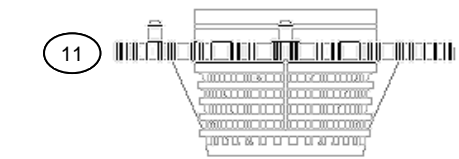
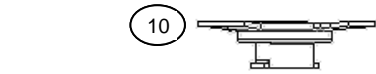
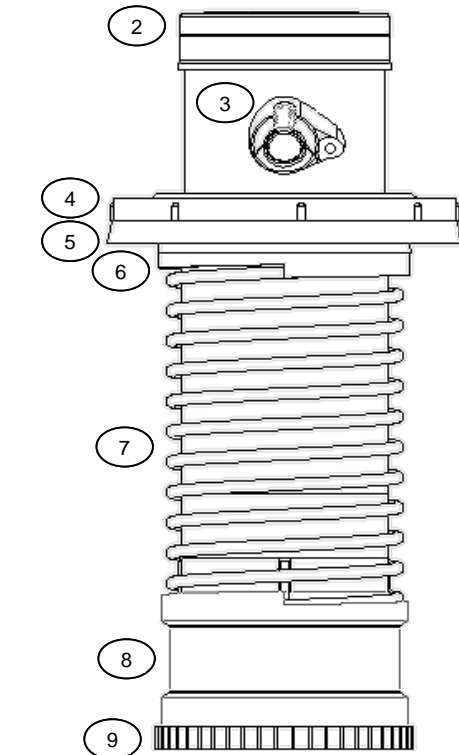
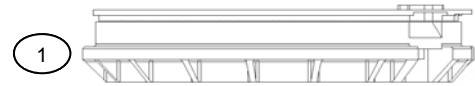
G870 Riser Assembly: Full-Circle Configuration

Item	Description	Part No.	Price
1	Snap Ring Assy. - Upper (Black)	610100	
	Snap Ring Assy. - Upper (Purple) applications: reclaimed water sites	610105	
2	Rubber Logo Cap - (Black)	402710	
3	Screw - Nozzle Retainer (2 req'd)	314300	
4	Support - Riser Seal Upper	450400	
5	Seal - Riser	450500	
6	Support - Riser Seal Lower	238300	
7	Spring - Riser Retraction	348700	
8	Bumper - Riser	405700	
9	Riser Assembly - incl: items 1 - 12	474507	
10	Plate - Stator Adjustment	439600	
11	Screen - Riser Inlet	450600	
12	Nozzle Pack	463210	
13	Nozzle Rack - Bag Of 25		
	#15 - Gray	463213	
	#18 - Red	463214	
	#20 - Dark Brown	463215	
	#23 - Dark Green	463216	
	#25 - Dark Blue	463217	
	#28 - Black	463218	



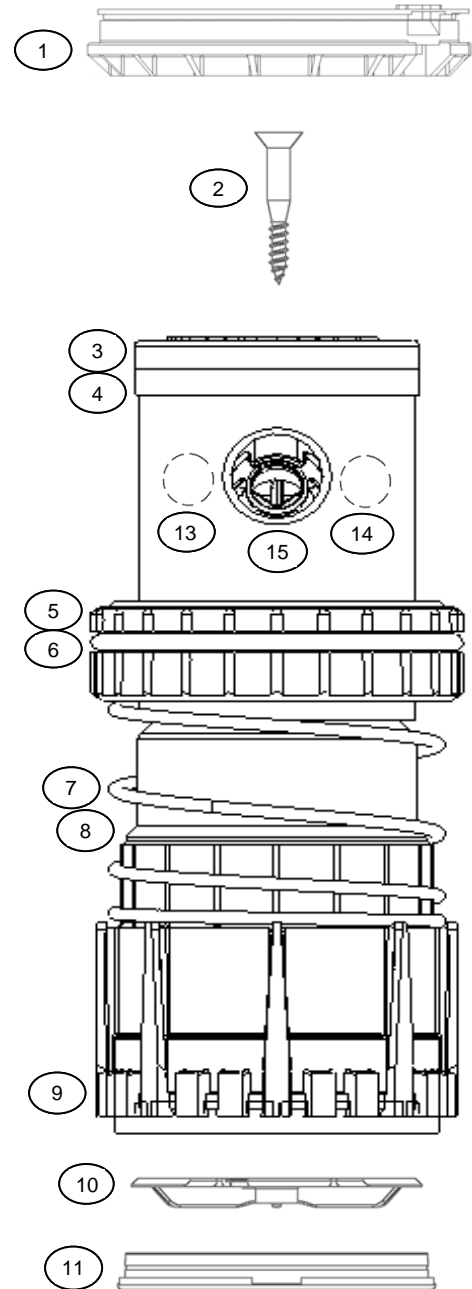
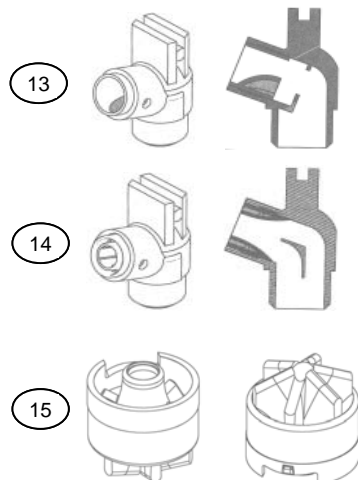
G875 Riser Assembly: Adjustable Arc Configuration

Item	Description	Part No.	Price
1	Snap Ring Assy. - Upper (Black)	610100	
	Snap Ring Assy. - Upper (Purple) applications: reclaimed water sites	610105	
2	Rubber Logo Cap - (Black)	402720	
3	Screw - Nozzle Retainer	314300	
4	Support - Riser Seal Upper	450400	
5	Seal - Riser	450500	
6	Support - Riser Seal Lower	238300	
7	Spring - Riser Retraction	348700	
8	Bumper - Riser	405700	
9	Riser Assembly - incl: items 1 - 12	474571	
10	Plate - Stator Adjustment	439600	
11	Screen - Riser Inlet	450600	
12	Nozzle Pack	461532	
13	Nozzle Assy - Bag Of 25		
	# 8 - Light Brown	463404	
	#10 - Light Green	463405	
	#13 - Light Blue	463406	
	#15 - Gray	463407	
	#18 - Red	463408	
	#20 - Dark Brown	463409	
#23 - Dark Green	463410		
	#25 - Dark Blue	463411	
	#28 - Black	463412	



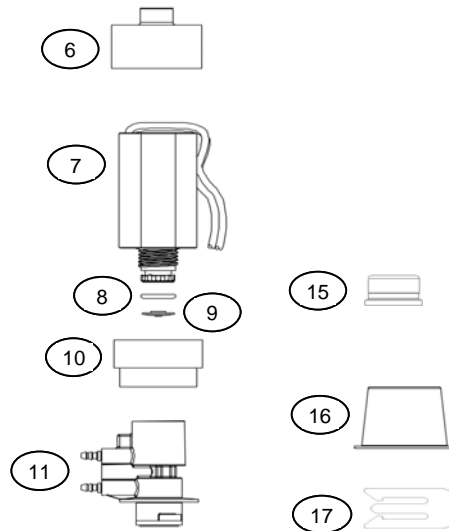
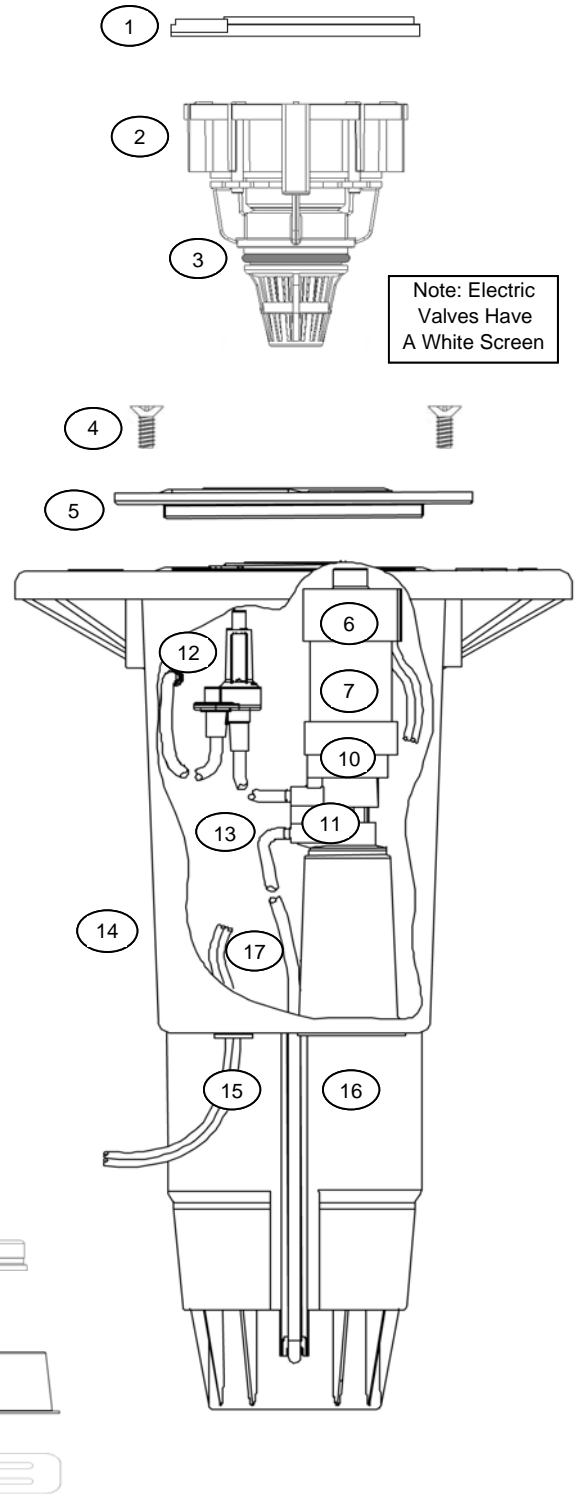
G880 Riser Assembly: Full-Circle Configuration

Item	Description	Part No.	Price
1	Snap Ring Assy. - Upper (Black)	450100	
	Snap Ring Assy. - Upper (Purple) applications: reclaimed water sites	450105	
2	Screw - Shroud Retainer	376400	
3	Rubber Logo Cap - (Black)	453800	
4	Shroud - Nozzle Housing	454100	
5	Seal Block	664405	
6	O' Ring - Seal	549400	
7	Spring - Riser Retraction	553700	
8	Face Seal - White	552400	
9	Riser Assembly - SRU - includes items 1 - 14 + #48 nozzle installed	460009	
10	Plate - Stator Adjustment	452700	
11	Screen - Riser Inlet	286800	
12	Nozzle Pack - Primary Nozzles (not shown) one each #25 thru #53	460002	
13	Nozzle - Short Range - Black	495000	
14	Nozzle - Mid-Range - Blue	494900	
15	Nozzle - Primary - Bag Of 25		
	#25 - Light Blue	460003	
	#33 - Gray	460004	
	#38 - Red	460005	
	#43 - Dark Brown	460006	
	#53 - Dark Blue	460008	



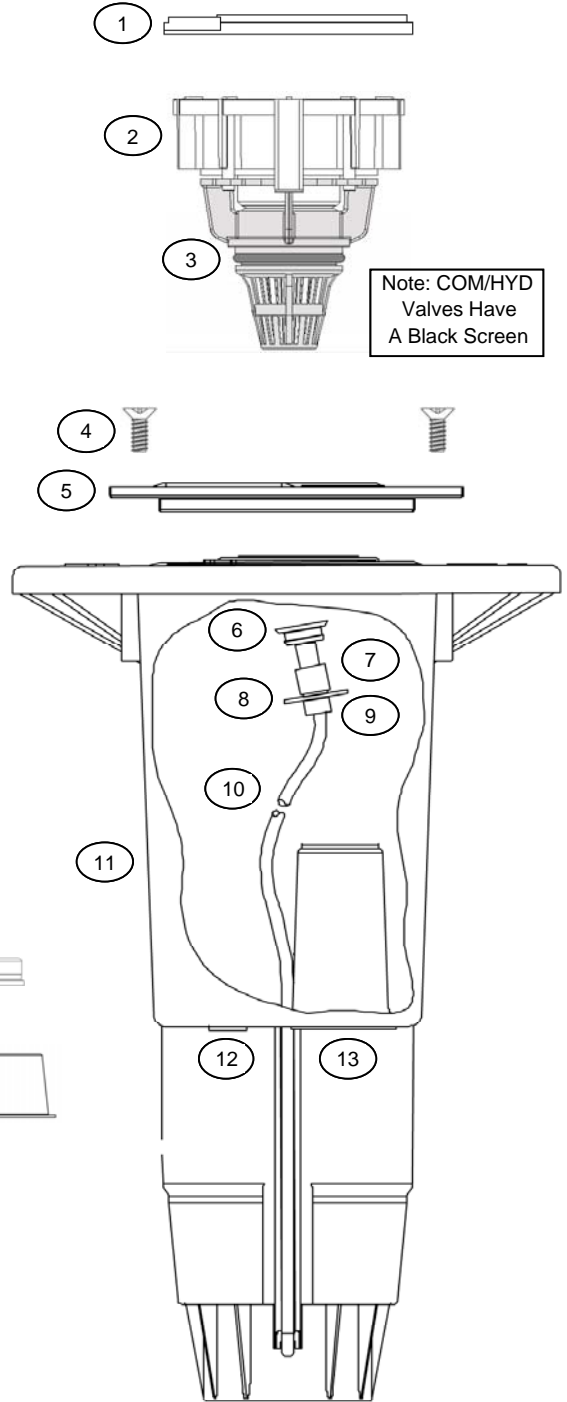
G900E Body Assembly: Electric Valve-In-Head

Item	Description	Part No.	Price
1	Snap Ring - Lower (White)	283000	
2	Inlet Valve Assembly - Electric VIH (White Screen)	643200	
3	O-Ring - Inlet Valve To Body Seal	643500	
4	Screw - Flange Lid Retainer	351800	
5	Lid - Flange Compartment - Electric Recessed Yardage Marker Area	493600	
	Lid - Flange Compartment - Electric Raised Yardage Marker Area	493610	
6	Selector Cap & Detent Ring Kit	461536	
7	Solenoid Kit (Includes Items 6, 7, 8, 9 & 10)	461537	
8	O-Ring - Solenoid Thread Seal	262600	
9	Seal - Solenoid Plunger Seal	364400	
10	Selector Cap & Detent Ring Kit	461536	
11	Pilot Valve Kit - Electric VIH	461540	
12	Pressure Regulator Kit - Variable (50 to 120 psi)	674800	
13	Control Tubing Kit - incl: 24" of 1/8" tubing, connector & retainers (2)	461539	
14	Body Assembly, Electric VIH - incl: tubing to pilot valve & tubing to regulator plus items 14,15 & 16. (does not include pilot valve or pressure regulator)	674600	
15	Cap, Protective - solenoid wires	643900	
16	Cap, Protective - lower compartment	474400	
17	Restraint -Solenoid Wires	669300	



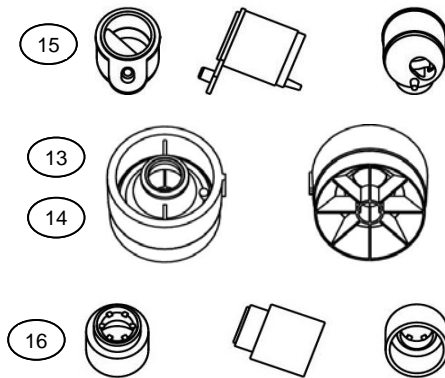
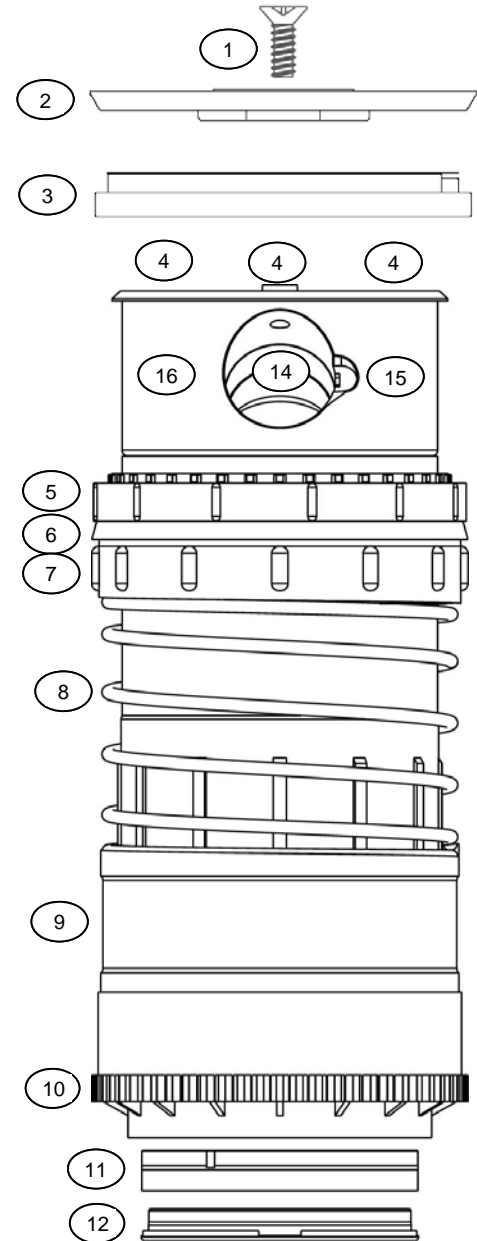
G900C Body Assembly: Check-O-Matic

Item	Description	Part No.	Price
1	Snap Ring - Lower (White)	283000	
2	Inlet Valve Assembly - C.O.M. & N.O. Hydraulic (Black Screen)	672500	
3	O-Ring - Inlet Valve To Body Seal	643500	
4	Screw - Flange Lid Retainer	351800	
5	Lid - Flange Compartment - C.O.M. Recessed Yardage Marker Area	493605	
	Lid - Flange Compartment - C.O.M. Raised Yardage Marker Area	493615	
6	Vent Cap - Valve Air Bleed	456600	
7	Tube Retainer - 1/4" Tubing	261000	
8	Connector - 1/4"x1/8" Tubing (not shown)	402100	
9	Tube Retainer - 1/8" Tubing	476000	
10	Control Tubing Kit - incl: 24" of 1/8" tubing, connector & retainers (2)	461539	
11	Body Assembly, C.O.M. & N.O. Hydraulic - incl: items 6 thru 13	674700	
12	Cap, Protective - solenoid wire hole	643900	
13	Cap, Protective - lower compartment	474400	



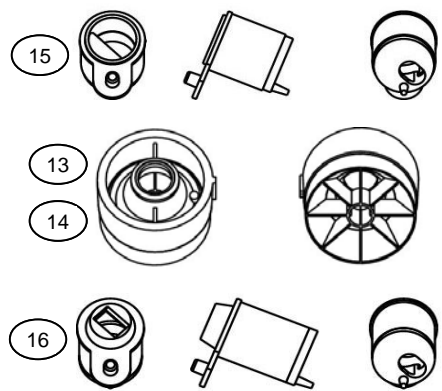
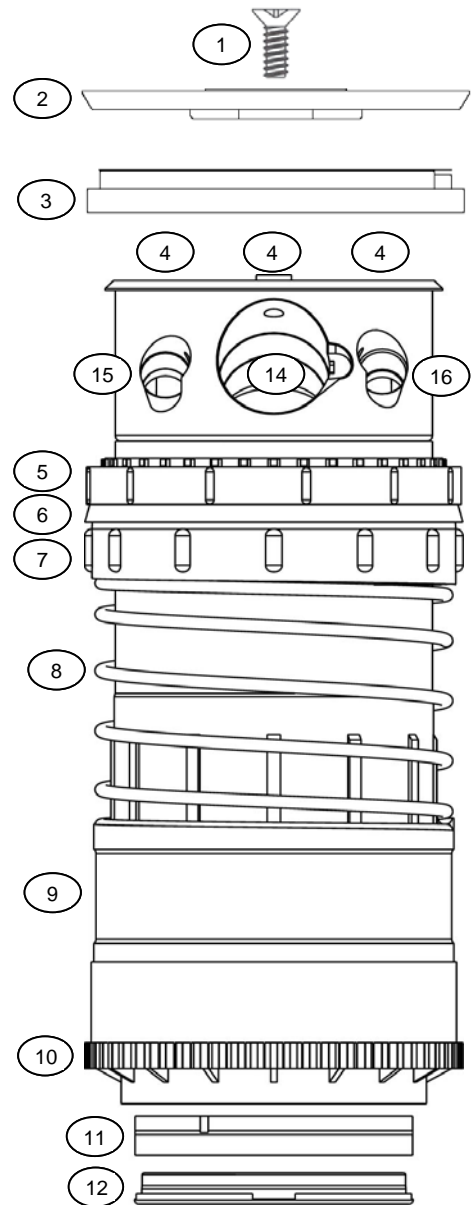
G990 Riser Assembly: Full-Circle Configuration

Item	Description	Part No.	Price
1	Screw - Logo Cap Retainer	351800	
2	Rubber Logo Cap - G990 (Black)	664000	
	Rubber Logo Cap - G990 (Purple) applications: reclaimed water sites	664005	
3	Snap Ring Assy. - (Black)	430700	
4	Screw - Nozzle Retainer	314300	
5	Support - Riser Seal Upper	406200	
6	Seal - Riser	406100	
7	Support - Riser Seal Lower	406300	
8	Spring - Riser Retraction	428600	
9	Bumper - Riser	405800	
10	Riser Assembly - incl: items 3 - 13, 15 & 16	463002	
11	Plate - Stator Adjustment	283300	
12	Screen - Riser Inlet	286800	
13	Nozzle Pack - Primary Nozzles	461204	
14	Primary Nozzles - Bag Of 25		
	#33 - Gray	464363	
	#38 - Red	464364	
	#43 - Dark Brown	464365	
	#48 - Dark Green	464366	
	#53 - Dark Blue	464367	
15	Nozzle - Short-Range (Left, Black)	439100	
16	Nozzle - Mid-Range (Right, Blue)	455400	



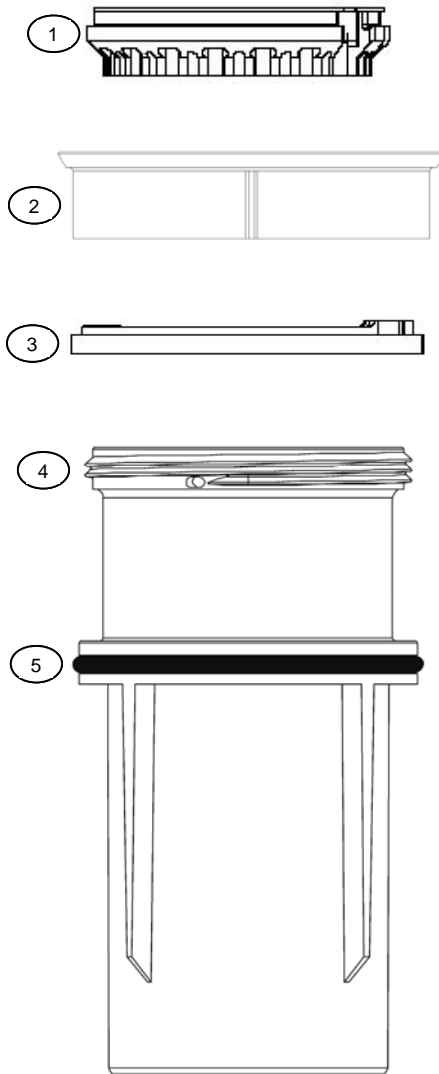
G995 Riser Assembly: Adjustable Arc Configuration

Item	Description	Part No.	Price
1	Screw - Logo Cap Retainer	351800	
2	Rubber Logo Cap - G995 (Black)	664100	
	Rubber Logo Cap - G995 (Purple) applications: reclaimed water sites	664105	
3	Snap Ring Assy. - (Black)	430700	
4	Screw - Nozzle Retainer	314300	
5	Support - Riser Seal Upper	406200	
6	Seal - Riser	406100	
7	Support - Riser Seal Lower	406300	
8	Spring - Riser Retraction	428600	
9	Bumper - Riser	405800	
10	Riser Assembly - incl: items 3 - 13, 15 & 16	463004	
11	Plate - Stator Adjustment	283300	
12	Screen - Riser Inlet	286800	
13	Nozzle Pack - Primary Nozzles	461204	
14	Primary Nozzles - Bag Of 25		
	#33 - Gray	464363	
	#38 - Red	464364	
	#43 - Dark Brown	464365	
	#48 - Dark Green	464366	
	#53 - Dark Blue	464367	
	#63 - Black	464368	
15	Nozzle - Short-Range (Left, Black)	439100	
16	Nozzle - Mid-Range (Right, Green)	439000	



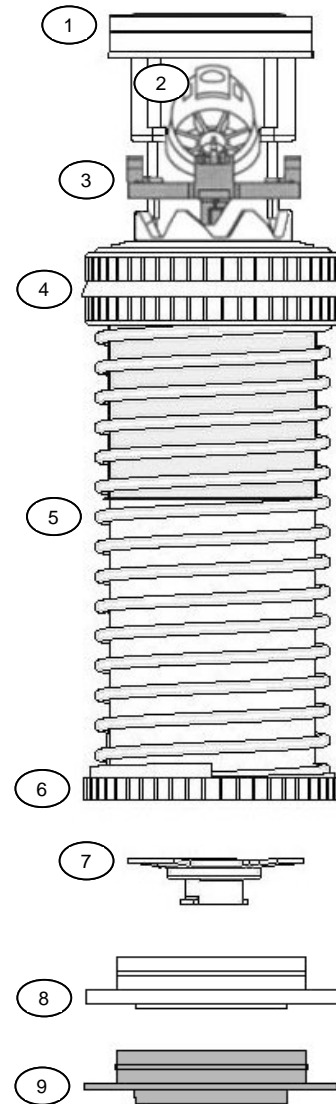
G60RT & G70RT Adapter Body Assembly: Retro-fit Risers

Item	Description	Part No.	Price
1	Snap Ring Assy. - Upper (Black)	403400	
	Snap Ring Assy. - Upper (Purple) applications: reclaimed water sites	470600	
2	Threaded Cap - For Adapter Body	449200	
3	Snap Ring - Lower (White)	448900	
4	Adapter Body	449100	
5	O Ring - For Adapter Body	449600	



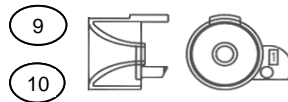
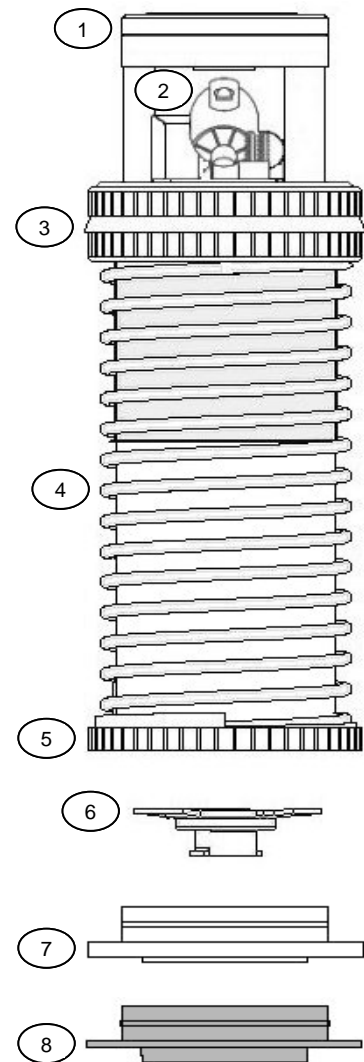
G60RT Riser Assembly: Full-Circle Configuration

Item	Description	Part No.	Price
1	Rubber Logo Cap - (Black)	402600	
2	Screw - Nozzle Retainer	314300	
3	Diffuser Yoke	350600	
4	Seal Assembly - incl: seal supports and stainless steel sleeve	350100	
5	Spring - Riser Retraction	348700	
6	Riser Assembly - incl: items 1 - 10 Plus 448900 Snap Ring	474561	
7	Plate - Stator Adjustment	439600	
8	Screen - 1990 Appox. & After 6" Body Flange (White Screen)	448600	
9	Screen - 1990 Appox. & Prior 7" Body Flange (Black Screen)	448700	
10	Nozzle Pack	462374	
11	Nozzle - Bag Of 25		
	# 7 - Orange	463471	
	#10 - Light Green	463472	
	#13 - Light Blue	463473	
	#15 - Gray	463474	
	#18 - Red	463475	
	#20 - Dark Brown	463476	



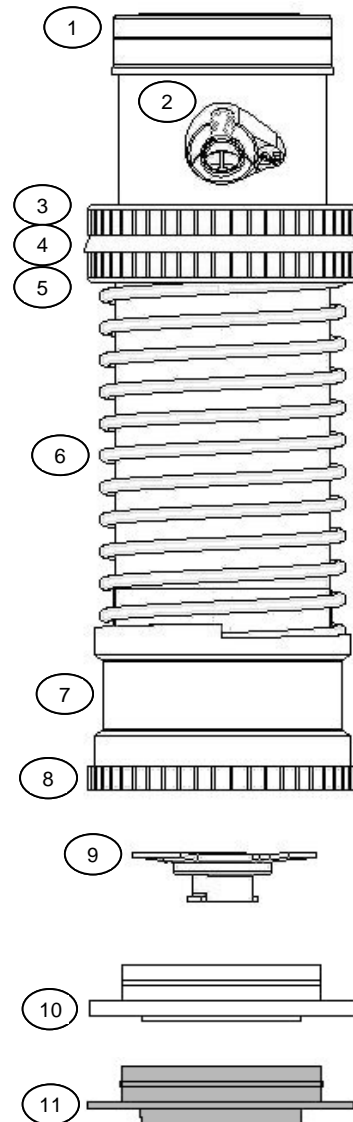
G65RT Riser Assembly: Adjustable Arc Configuration

Item	Description	Part No.	Price
1	Rubber Logo Cap - (Black)	402700	
2	Screw - Nozzle Retainer	314300	
3	Seal Assembly - incl: seal supports and stainless steel sleeve	350100	
4	Spring - Riser Retraction	348700	
5	Riser Assembly - incl: items 1 - 9 Plus 448900 Snap Ring	474562	
6	Plate - Stator Adjustment	439600	
7	Screen - 1990 Appox. & After 6" Body Flange (White Screen)	448600	
8	Screen - 1990 Appox. & Prior 7" Body Flange (Black Screen)	448700	
9	Nozzle Pack	462373	
10	Nozzle - Bag Of 25		
	# 7 - Orange	472373	
	#10 - Light Green	472374	
	#13 - Light Blue	472375	
	#15 - Gray	472376	
	#18 - Red	472377	
	#20 - Dark Brown	472378	



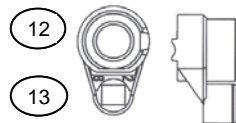
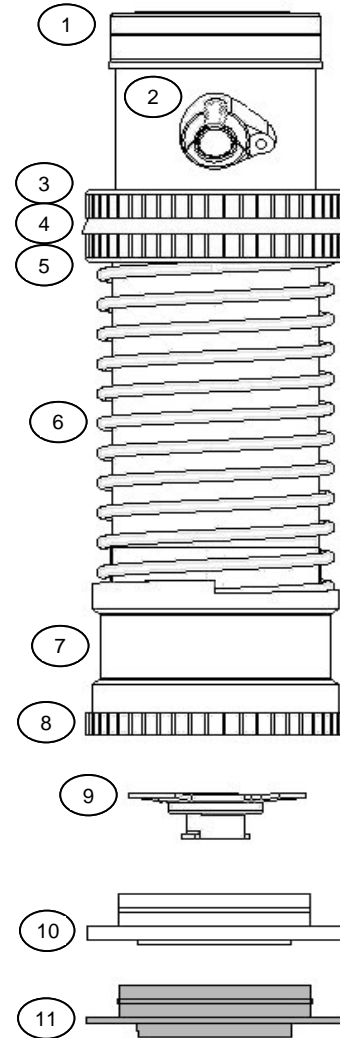
G70RT Riser Assembly: Full-Circle Configuration

Item	Description	Part No.	Price
1	Rubber Logo Cap - (Black)	402710	
2	Screw - Nozzle Retainer	314300	
3	Support - Riser Seal Upper	349100	
4	Seal - Riser	348900	
5	Support - Riser Seal Lower	238300	
6	Spring - Riser Retraction	348700	
7	Bumper - Riser	405700	
8	Riser Assembly - incl: items 1 - 12 Plus 448900 Snap Ring	474563	
9	Plate - Stator Adjustment	439600	
10	Screen - 1990 Appox. & After 6" Body Flange (White Screen)	448600	
11	Screen - 1990 Appox. & Prior 7" Body Flange (Black Screen)	448700	
12	Nozzle Pack	463210	
13	Nozzle Assy - Bag Of 25		
	#15 - Gray	463213	
	#18 - Red	463214	
	#20 - Dark Brown	463215	
	#23 - Dark Green	463216	
	#25 - Dark Blue	463217	
	#28 - Black	463218	



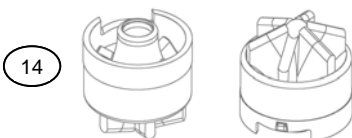
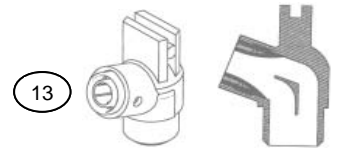
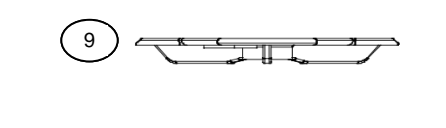
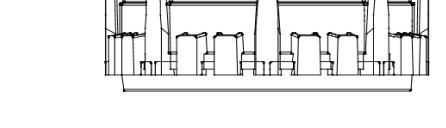
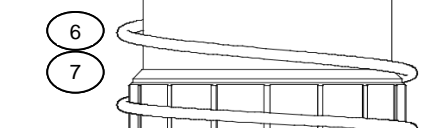
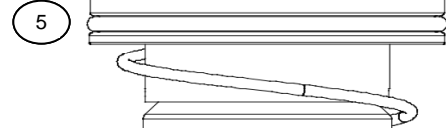
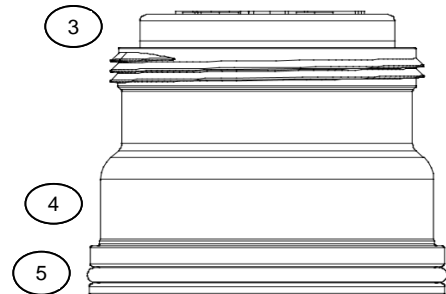
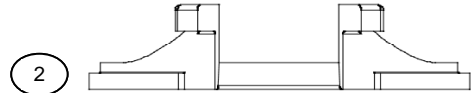
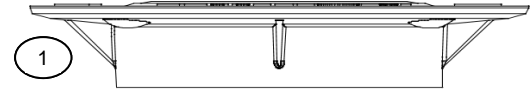
G75RT Riser Assembly: Adjustable Arc Configuration

Item	Description	Part No.	Price
1	Rubber Logo Cap - (Black)	402720	
2	Screw - Nozzle Retainer	314300	
3	Support - Riser Seal Upper	349100	
4	Seal - Riser	348900	
5	Support - Riser Seal Lower	238300	
6	Spring - Riser Retraction	348700	
7	Bumper - Riser	405700	
8	Riser Assembly - incl: items 1 - 12 Plus 448900 Snap Ring	474564	
9	Plate - Stator Adjustment	439600	
10	Screen - 1990 Appox. & After 6" Body Flange (White Screen)	448600	
11	Screen - 1990 Appox. & Prior 7" Body Flange (Black Screen)	448700	
12	Nozzle Pack	461532	
13	Nozzle Assy - Bag Of 25		
	# 8 - Light Brown	463404	
	#10 - Light Green	463405	
	#13 - Light Blue	463406	
	#15 - Gray	463407	
	#18 - Red	463408	
	#20 - Dark Brown	463409	
	#23 - Dark Green	463410	
#25 - Dark Blue	463411		
#28 - Black	463412		



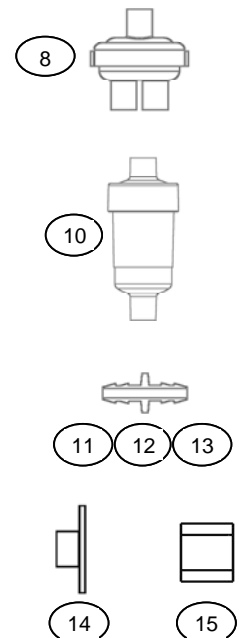
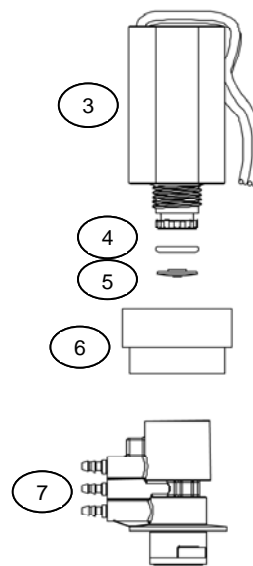
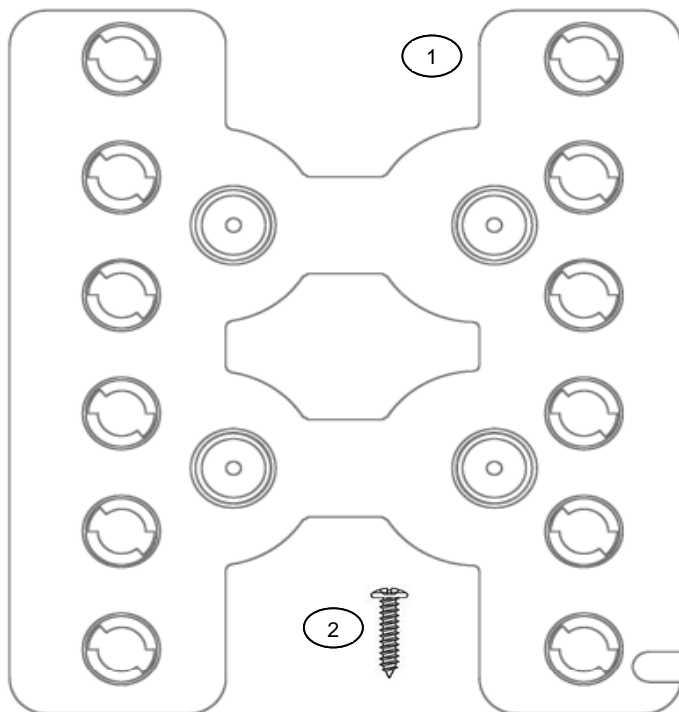
G80RT Adapter Body & Riser Assembly: Full-Circle

Item	Description	Part No.	Price
1	Adapter Cap Assembly w/Wiper	545300	
2	Snap Ring - White	494100	
3	Rubber Logo Cap - Black	453800	
4	Adapter Body	494005	
5	O' Ring	530300	
6	Spring - Riser Retraction	553700	
7	Face Seal - White	552400	
8	Riser Assembly	460009	
9	Plate - Stator Adjustment	452700	
10	Screen - Riser Inlet	286800	
11	Nozzle Pack - Primary Nozzles (not shown) one each #25 thru #53	460002	
12	Nozzle - Short Range - Black	495000	
13	Nozzle - Mid-Range - Blue	494900	
14	Nozzle - Primary - Bag Of 25		
	#25 - Light Blue	460003	
	#33 - Gray	460004	
	#38 - Red	460005	
	#43 - Dark Brown	460006	
	#48 - Dark Green	460007	
	#53 - Dark Blue	460008	



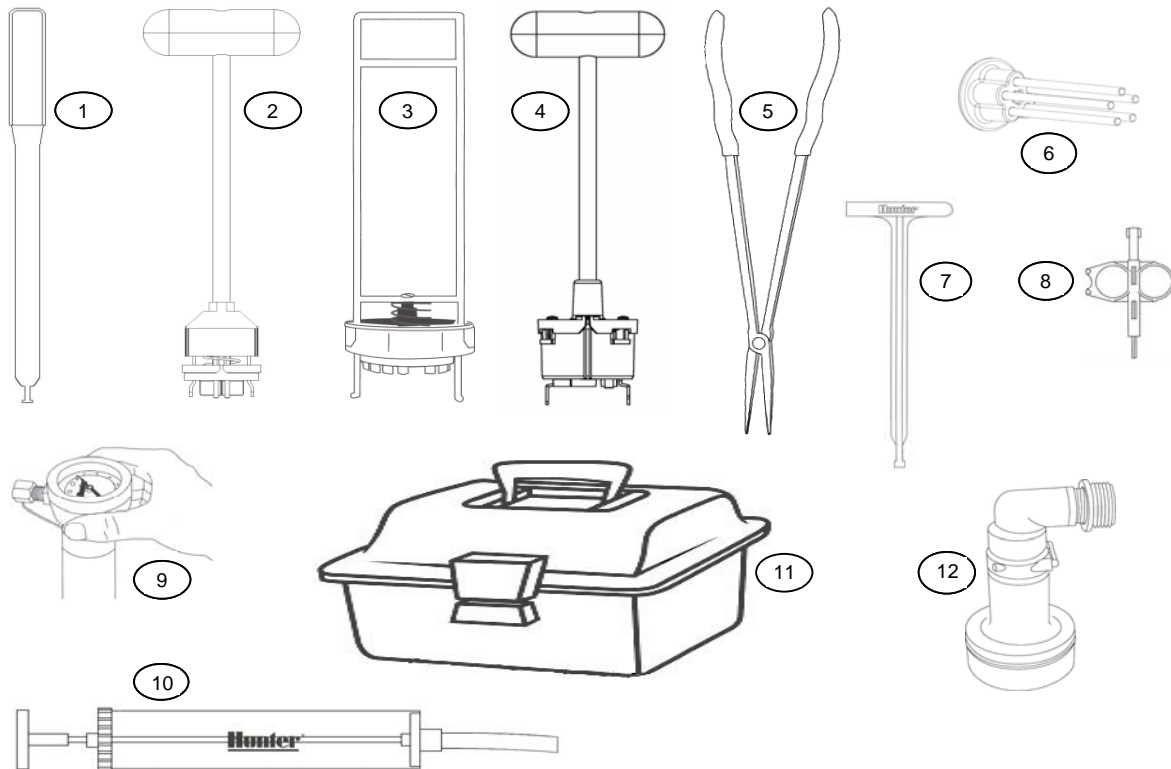
HYD10 & HYD12: Hydraulic Modules

Item	Description	Part No.	Price
1	Plate - Mounting	425000	
2	Screw - Mounting	334000	
3	Solenoid Kit - HYD & G800 Only (Includes Items 3, 4, 5 & 6)	461537	
4	O-Ring - Solenoid Thread Seal	262600	
5	Seal - Solenoid Plunger Seal	364400	
6	Selector Cap & Detent Ring Kit	461536	
7	TriActuator - HYD Mod	461640	
8	Connector - 4-Way H for 1/8" Tubing	432300	
9	Plug - 4-Way H Connector (not shown)	432500	
10	Filter - Supply Line	432400	
11	Connector - 1/8"x 1/8" Tubing	494400	
12	Connector - 1/4" x 1/8" Tubing	402100	
13	Connector - 1/4" x 1/4" Tubing	297600	
14	Retainer - 1/8" Tubing	476000	
15	Tube Retainer - 1/4" Tubing	261000	
16	Control Tubing Kit - incl: 24" of 1/8" tubing, connector & retainers (2)	461539	



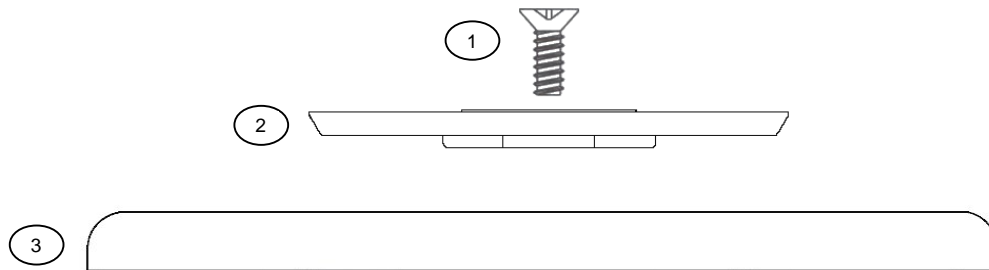
Tools & Accessories: Golf Rotors

Item	Description	Part No.	Price
1	Snap Ring Removal Tool	251000	
2	Valve Insertion/Removal Tool - G60 & G70 Series	470500	
3	Valve Insertion/Removal Tool - G90 & G900 Series	280500	
4	Valve Insertion/Removal Tool - G800 Series	604000	
5	Valve & Snap Ring Pliers - G800 Series	475600	
6	Valve Flushing Tool - G800 Series	609400	
7	T-Handle Tool - VIH Selector, Nozzle Insertion, Riser Lift Up & Arc Adjustment	319100	
8	Hunter Wrench Tool - With Hex For Nozzle Retainer Set Screws (2 pack)	461720	
9	Pitot Gauge & Tube Assembly	280100	
10	Hand Pump - Water Extraction	460302	
11	Golf Rotor Tool Kit - Includes Items 1, 3, 4, 5, 6, 7, 8, 9, 10 plus Tool Box and Screwdriver	475700	
12	Hose Adapter & Swivel - G90 Series "C", "H" & "E"	G90HS100	
	Hose Adapter & Swivel - G800 Series "C", "H" & "E"	G800HS100	



G90 & G900 Series Rubber Cover Kits

Item	Description	Part No.	Price
1	Screw - cap retainer - all	351800	
2	Logo Cap - G90 & G990	103100	
	Logo Cap - G95 & G995	103300	
3	Ring - Flange Cover - G90 & G95	367500	
	Ring - Flange Cover - G990 & G995	102400	
4	Kit - G90 Rubber Cover - includes items 1, 2 & 3	463672	
	Kit - G95 Rubber Cover - includes items 1, 2 & 3	463679	
	Kit - G990 Rubber Cover - includes items 1, 2 & 3	473800	
	Kit - G995 Rubber Cover - includes items 1, 2 & 3	473900	



Hose Swivel Adapters

Item	Description	Part No.	Price
1	O' Ring - G70HS100	549300	4.00
	O' Ring - G90HS100	549500	6.00
	O' Ring - G800HS100	549400	6.00

