

# Hunter®

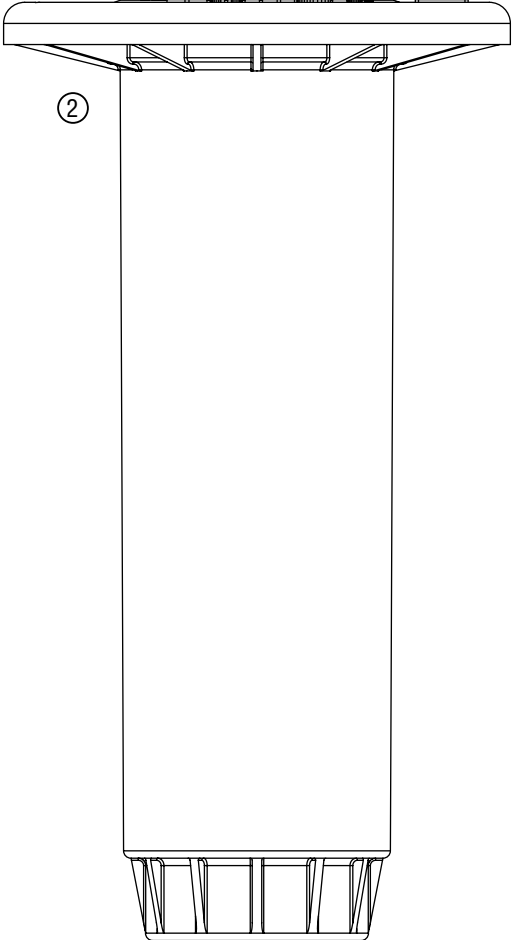


## Hunter Golf & Large Turf Rotors Replacement Parts Guide

*Effective February 1, 2004*

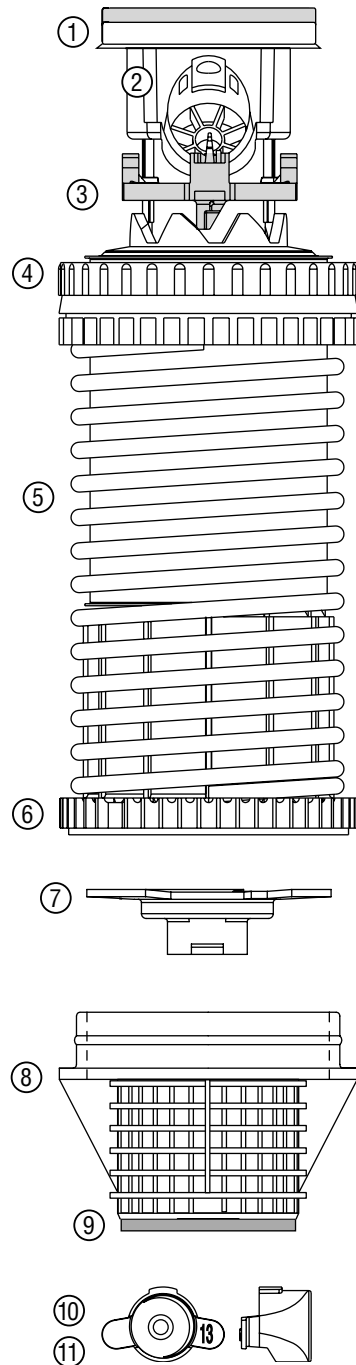
# G-60 & G70 “B” Body Assembly: *Block*

Item	Description	Catalog #
①	Snap Ring Assy. - Upper (Black)	403400
	Snap Ring Assy. - Upper (Purple) Applications: reclaimed water sites	470600
②	Body - Block w/ 1¼" ACME Inlet	401800



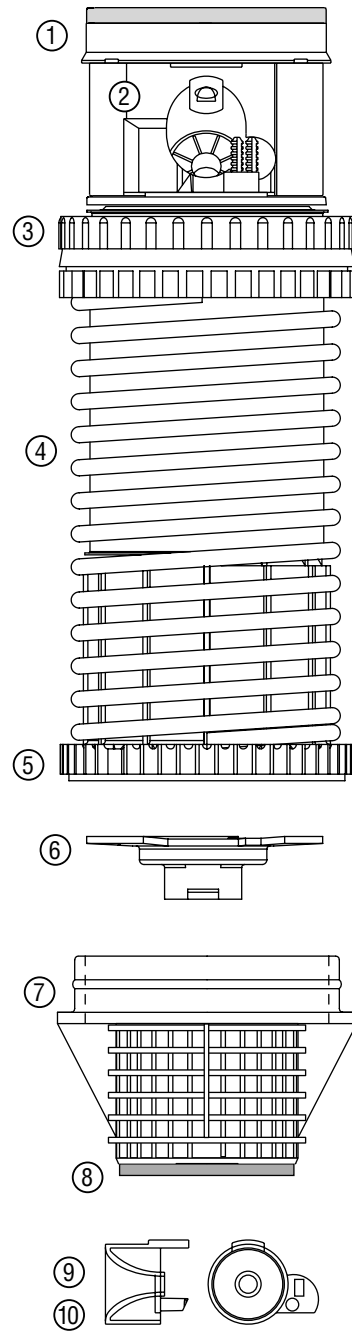
# G-60B Riser Assembly: *Full Circle Configuration*

Item	Description	Catalog #	
①	Rubber Logo Cap - (Black)	402600	
②	Screw - Nozzle Retainer	314300	
③	Diffuser Yoke	350600	
④	Seal Assembly - Includes seal supports and stainless steel sleeve	350100	
⑤	Spring - Riser Retraction	348700	
⑥	Riser Assembly - Includes items 1 - 10 Plus 403400 Snap Ring	474208	
⑦	Plate - Stator Adjustment	439600	
⑧	Screen - With Check Seal (Black)	424700	
⑨	Check Seal	424800	
⑩	Nozzle Pack	462374	
⑪	Nozzle - Bag Of 25	# 7 - Orange	463471
		#10 - Light Green	463472
		#13 - Light Blue	463473
		#15 - Gray	463474
		#18 - Red	463475
		#20 - Dark Brown	463476



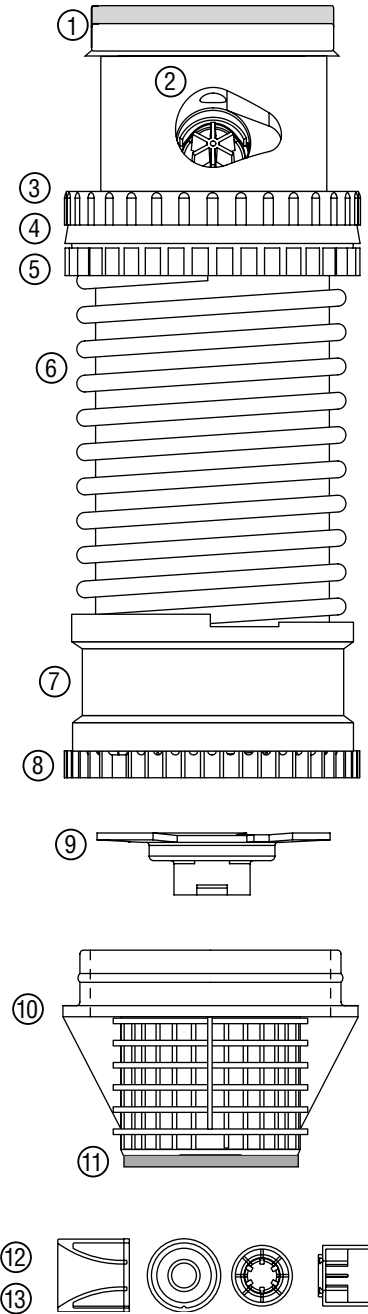
# G-65B Riser Assembly: Adjustable Arc Configuration

Item	Description	Catalog #	
①	Rubber Logo Cap - (Black)	402700	
②	Screw - Nozzle Retainer	314300	
③	Seal Assembly - Includes seal supports and stainless steel sleeve	350100	
④	Spring - Riser Retraction	348700	
⑤	Riser Assembly - Includes items 1 - 9 Plus 403400 Snap Ring	474209	
⑥	Plate - Stator Adjustment	439600	
⑦	Screen - With Check Seal (Black)	424700	
⑧	Check Seal	424800	
⑨	Nozzle Pack	462373	
⑩	Nozzle - Bag Of 25	# 7 - Orange	472373
		#10 - Light Green	472374
		#13 - Light Blue	472375
		#15 - Gray	472376
		#18 - Red	472377
		#20 - Dark Brown	472378



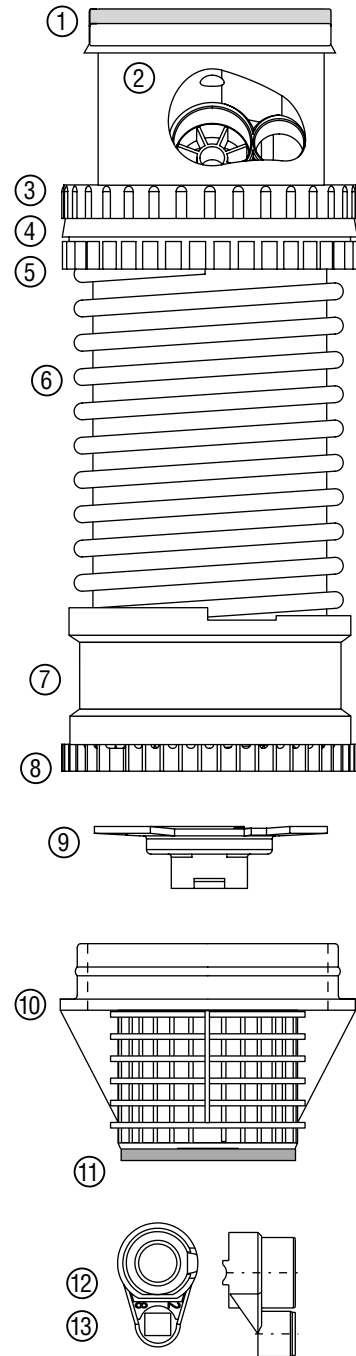
# G-70B Riser Assembly: Full-Circle Configuration

Item	Description	Catalog #	
①	Rubber Logo Cap - (Black)	402710	
②	Screw - Nozzle Retainer	314300	
③	Support - Riser Seal Upper	349100	
④	Seal - Riser	348900	
⑤	Support - Riser Seal Lower	238300	
⑥	Spring - Riser Retraction	348700	
⑦	Bumper - Riser	405700	
⑧	Riser Assembly - Includes items 1 - 12 Plus 403400 Snap Ring	474210	
⑨	Plate - Stator Adjustment	439600	
⑩	Screen - With Check Seal (Black)	424700	
⑪	Check Seal	424800	
⑫	Nozzle Pack	463210	
⑬	Nozzle Assy - Bag Of 25	#15 - Gray	463213
		#18 - Red	463214
		#20 - Dark Brown	463215
		#23 - Dark Green	463216
		#25 - Dark Blue	463217
	#28 - Black	463218	



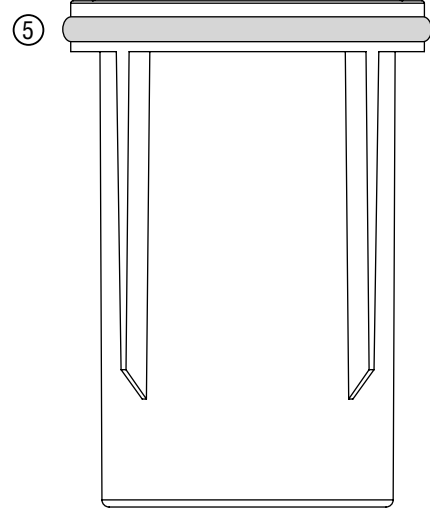
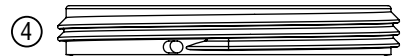
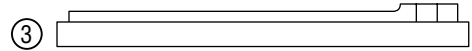
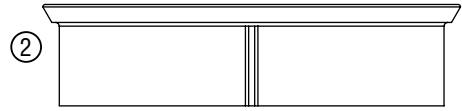
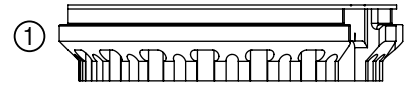
# G-75B Riser Assembly: Adjustable Arc Configuration

Item	Description	Catalog #	
①	Rubber Logo Cap - (Black)	402720	
②	Screw - Nozzle Retainer	314300	
③	Support - Riser Seal Upper	349100	
④	Seal - Riser	348900	
⑤	Support - Riser Seal Lower	238300	
⑥	Spring - Riser Retraction	348700	
⑦	Bumper - Riser	405700	
⑧	Riser Assembly - Includes items 1 - 12 Plus 403400 Snap Ring	474211	
⑨	Plate - Stator Adjustment	439600	
⑩	Screen - With Check Seal (Black)	424700	
⑪	Check Seal	424800	
⑫	Nozzle Pack	461532	
⑬	Nozzle Assy - Bag Of 25	# 8 - Light Brown	463404
		#10 - Light Green	463405
		#13 - Light Blue	463406
		#15 - Gray	463407
		#18 - Red	463408
		#20 - Dark Brown	463409
		#23 - Dark Green	463410
#25 - Dark Blue	463411		
	#28 - Black	463412	



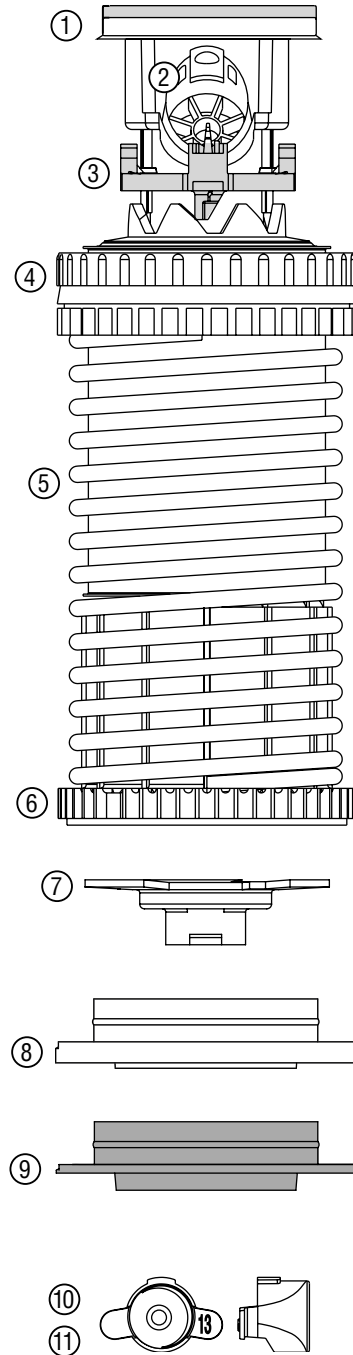
# G-60 & G70 "RT" Adapter Body Assembly: *Retro*

Item	Description	Catalog #
①	Snap Ring Assy. - Upper (Black)	403400
	Snap Ring Assy. - Upper (Purple) applications: reclaimed water sites	470600
②	Threaded Cap - For Adapter Body	449200
③	Snap Ring - Lower (White)	448900
④	Adapter Body	449100
⑤	O Ring - For Adapter Body	449600



# G-60RT Riser Assembly: *Full-Circle Configuration*

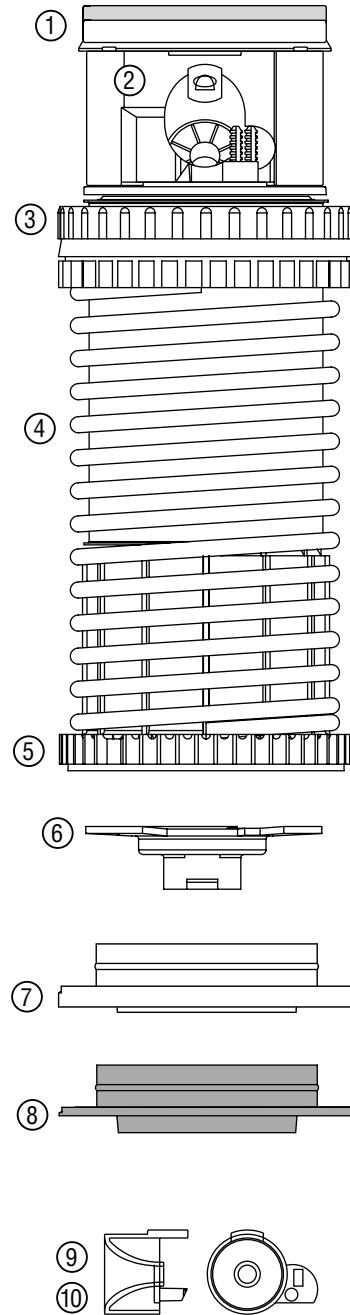
Item	Description	Catalog #	
①	Rubber Logo Cap - (Black)	402600	
②	Screw - Nozzle Retainer	314300	
③	Diffuser Yoke	350600	
④	Seal Assembly - Includes seal supports and stainless steel sleeve	350100	
⑤	Spring - Riser Retraction	348700	
⑥	Riser Assembly -Includes items 1 - 10 Plus 448900 Snap Ring	474561	
⑦	Plate - Stator Adjustment	439600	
⑧	Screen - 1990 Appox. & After 6" Body Flange (White Screen)	448600	
⑨	Screen - 1990 Appox. & Prior 7" Body Flange (Black Screen)	448700	
⑩	Nozzle Pack	462374	
⑪	Nozzle - Bag Of 25	# 7 - Orange	463471
		#10 - Light Green	463472
		#13 - Light Blue	463473
		#15 - Gray	463474
		#18 - Red	463475
	#20 - Dark Brown	463476	





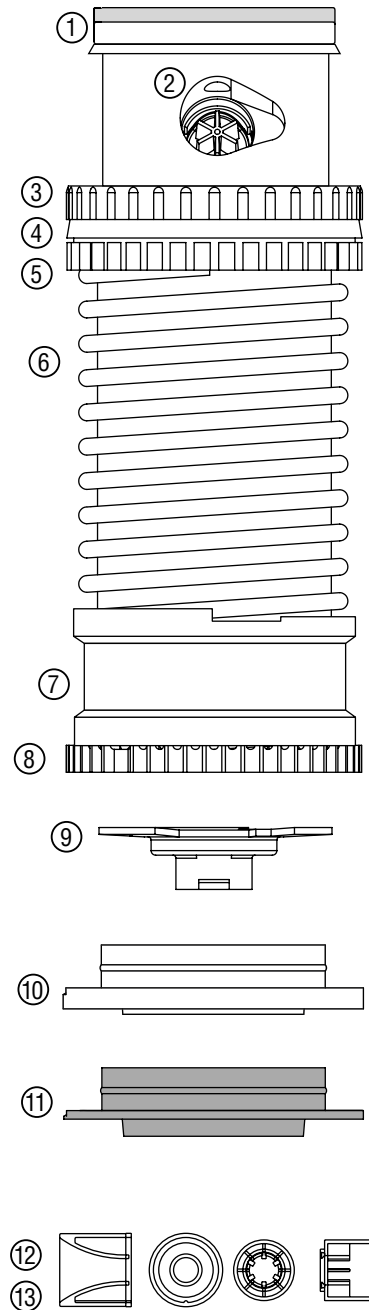
# G-65RT Riser Assembly: Adjustable Arc Configuration

Item	Description	Catalog #	
①	Rubber Logo Cap - (Black)	402700	
②	Screw - Nozzle Retainer	314300	
③	Seal Assembly - Includes seal supports and stainless steel sleeve	350100	
④	Spring - Riser Retraction	348700	
⑤	Riser Assembly - Includes items 1 - 9 Plus 448900 Snap Ring	474562	
⑥	Plate - Stator Adjustment	439600	
⑦	Screen - 1990 Appox. & After 6" Body Flange (White Screen)	448600	
⑧	Screen - 1990 Appox. & Prior 7" Body Flange (Black Screen)	448700	
⑨	Nozzle Pack	462373	
⑩	Nozzle - Bag Of 25	#7 - Orange	472373
		#10 - Light Green	472374
		#13 - Light Blue	472375
		#15 - Gray	472376
		#18 - Red	472377
	#20 - Dark Brown	472378	



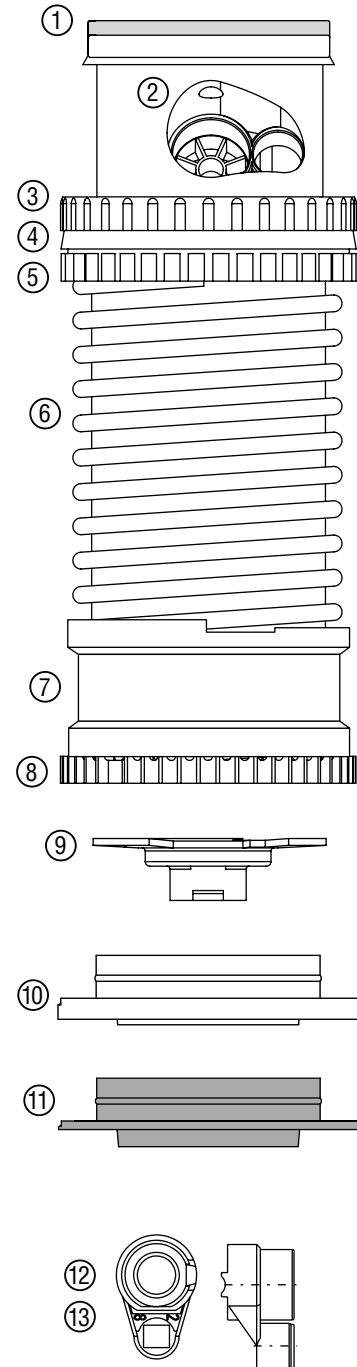
# G-70RT Riser Assembly: *Full-Circle Configuration*

Item	Description	Catalog #	
①	Rubber Logo Cap - (Black)	402710	
②	Screw - Nozzle Retainer	314300	
③	Support - Riser Seal Upper	349100	
④	Seal - Riser	348900	
⑤	Support - Riser Seal Lower	238300	
⑥	Spring - Riser Retraction	348700	
⑦	Bumper - Riser	405700	
⑧	Riser Assembly - Includes items 1 - 12 Plus 448900 Snap Ring	474563	
⑨	Plate - Stator Adjustment	439600	
⑩	Screen - 1990 Appox. & After 6" Body Flange (White Screen)	448600	
⑪	Screen - 1990 Appox. & Prior 7" Body Flange (Black Screen)	448700	
⑫	Nozzle Pack	463210	
⑬	Nozzle Assy - Bag Of 25	#15 - Gray	463213
		#18 - Red	463214
		#20 - Dark Brown	463215
		#23 - Dark Green	463216
		#25 - Dark Blue	463217
	#28 - Black	463218	



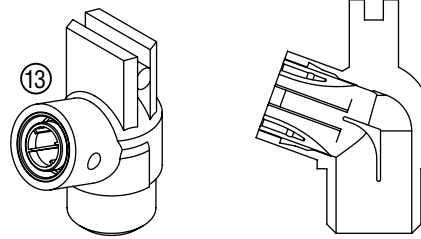
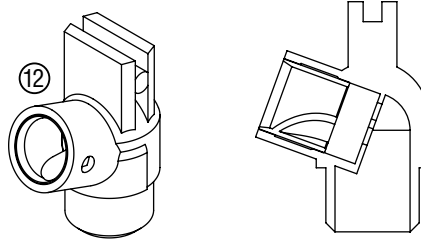
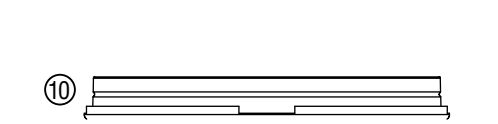
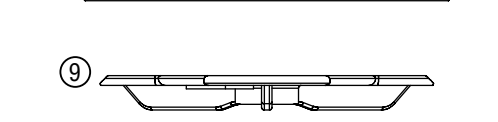
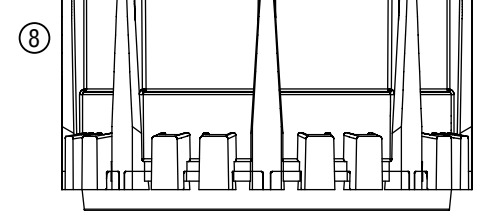
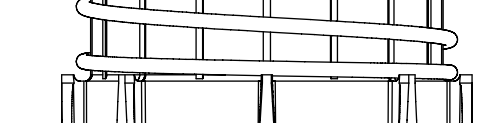
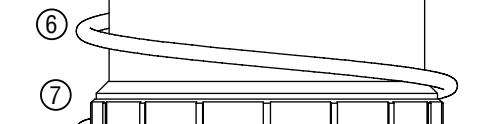
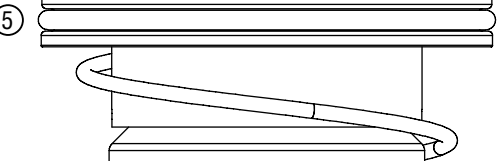
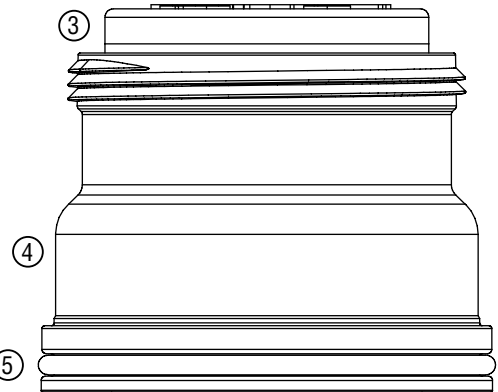
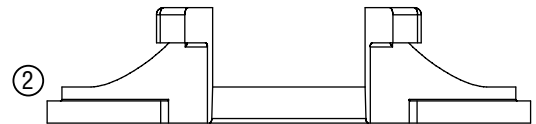
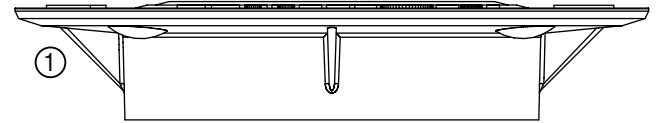
# G-75RT Riser Assembly: Adjustable Arc Configuration

Item	Description	Catalog #	
①	Rubber Logo Cap - (Black)	402720	
②	Screw - Nozzle Retainer	314300	
③	Support - Riser Seal Upper	349100	
④	Seal - Riser	348900	
⑤	Support - Riser Seal Lower	238300	
⑥	Spring - Riser Retraction	348700	
⑦	Bumper - Riser	405700	
⑧	Riser Assembly - Includes items 1 - 12 Plus 448900 Snap Ring	474564	
⑨	Plate - Stator Adjustment	439600	
⑩	Screen - 1990 Appox. & After 6" Body Flange (White Screen)	448600	
⑪	Screen - 1990 Appox. & Prior 7" Body Flange (Black Screen)	448700	
⑫	Nozzle Pack	461532	
⑬	Nozzle Assy - Bag Of 25	#8 - Light Brown	463404
		#10 - Light Green	463405
		#13 - Light Blue	463406
		#15 - Gray	463407
		#18 - Red	463408
		#20 - Dark Brown	463409
		#23 - Dark Green	463410
		#25 - Dark Blue	463411
	#28 - Black	463412	



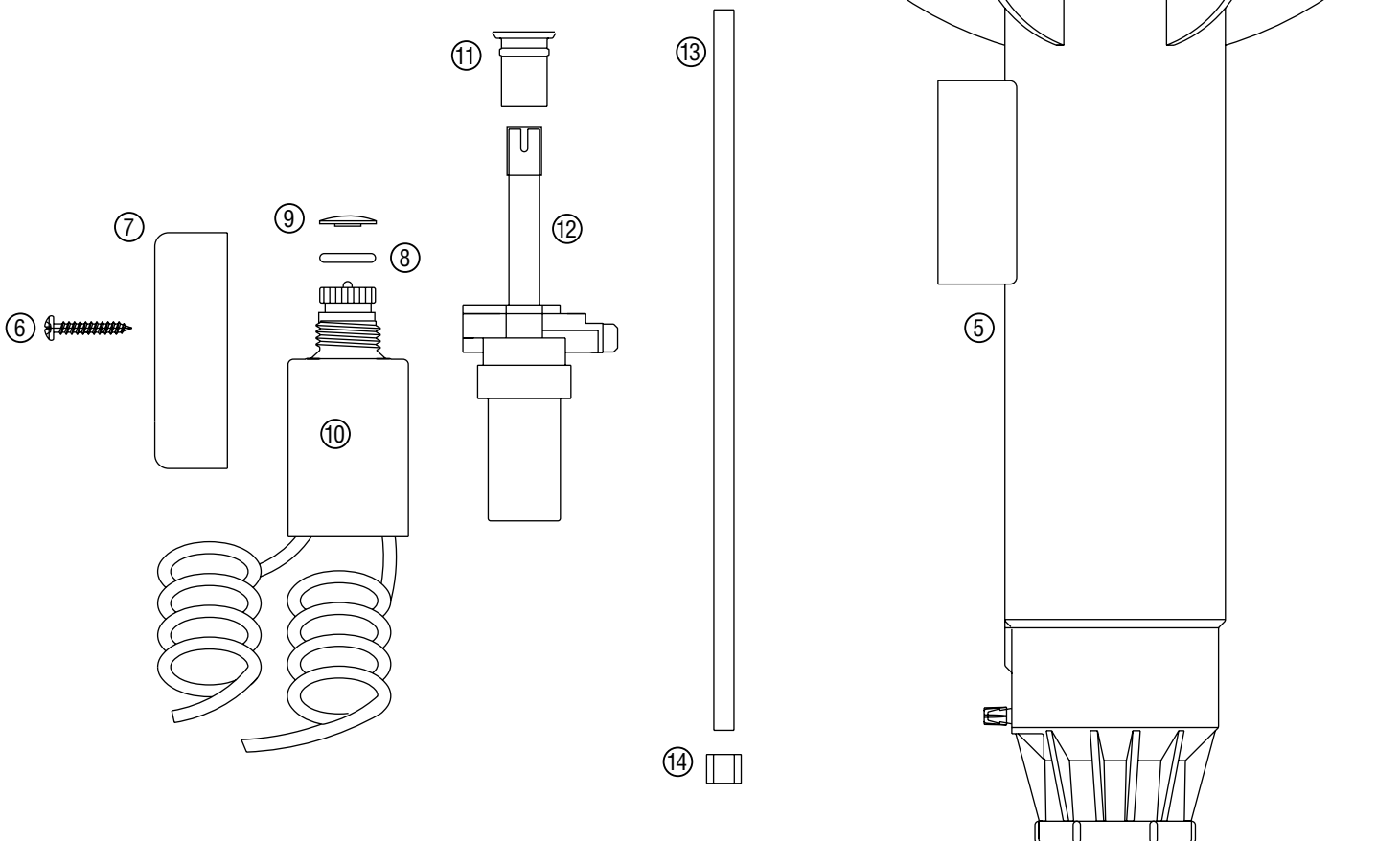
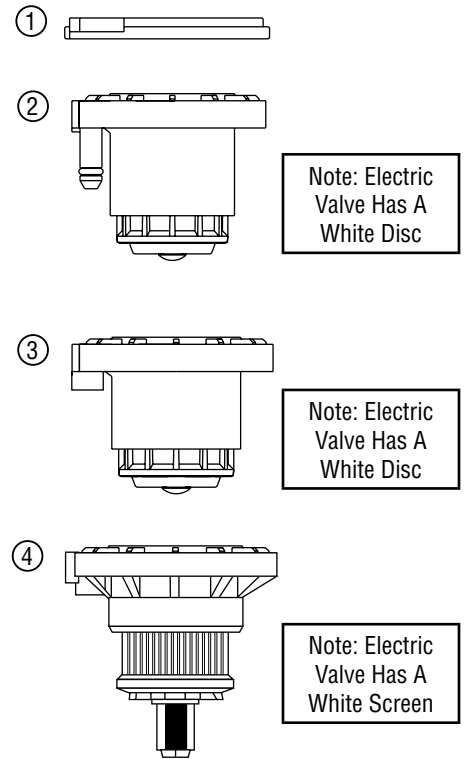
# G-80RT Riser Assembly: *Full-Circle Configuration*

Item	Description	Catalog #
①	Adapter Cap Assembly with Wiper	545300
②	Snap Ring - White	494100
③	Rubber Logo Cap - Black	453800
④	Adapter Body	494005
⑤	O-Ring	530300
⑥	Spring - Riser Retraction	553700
⑦	Seal - Riser	552400
⑧	Riser Assembly - use new G80RT	G80RT
⑨	Plate - Stator Adjustment	452700
⑩	Screen - Riser Inlet	286800
⑪	Nozzle Pack - Primary Nozzles (not shown) one each #25 thru #53	460002
⑫	Nozzle - Short Range - Black	495000
⑬	Nozzle - Mid-Range - Blue	494900
⑭	Nozzle - Primary - Bag Of 25	#25 - Light Blue 460003
		#33 - Gray 460004
		#38 - Red 460005
		#43 - Dark Brown 460006
		#48 - Dark Green 460007
		#53 - Dark Blue 460008



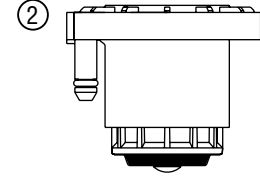
# G-60 Series Body Assembly: *Electric Valve-In-Head*

Item	Description	Catalog #
①	Snap Ring - Lower (White)	248800
②	Inlet Valve Assembly - Electric VIH Date Codes 1/98 & Prior (White Disc)	294800
③	Inlet Valve Assembly - Electric VIH Date Codes 2/98 to 7/02 (White Disc)	400400
④	Inlet Valve Assembly - Electric VIH Date Codes 8/02 & After Supercedes 400400 (White Screen)	446400
⑤	Body Assembly, Electric VIH Includes items 1, 4 & 5	463239
⑥	Screw - Pilot Valve Cover	221400
⑦	Cover - Pilot Valve Box	319001
⑧	O-Ring - Solenoid Thread Seal	262600
⑨	Seal - Solenoid Plunger Seal	364400
⑩	Solenoid Assembly (Includes Items 7 & 8)	434100
⑪	Rubber Boot - Pilot Valve Selector	291700
⑫	Pilot Valve Assembly - Electric VIH Specify Pressure In Part Number, Includes Items 13, 14 + connector	2975-??
⑬	Control Tubing - 1/4" x 11"	289305
⑭	Tube Retainer - 1/4" Tubing	261000
⑮	Tube Connector - 1/4" x 1/4" Tubing (not shown)	297600

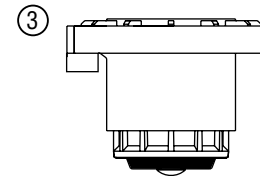


# G-60 Series Body Assembly: *Check-O-Matic & Hydraulic*

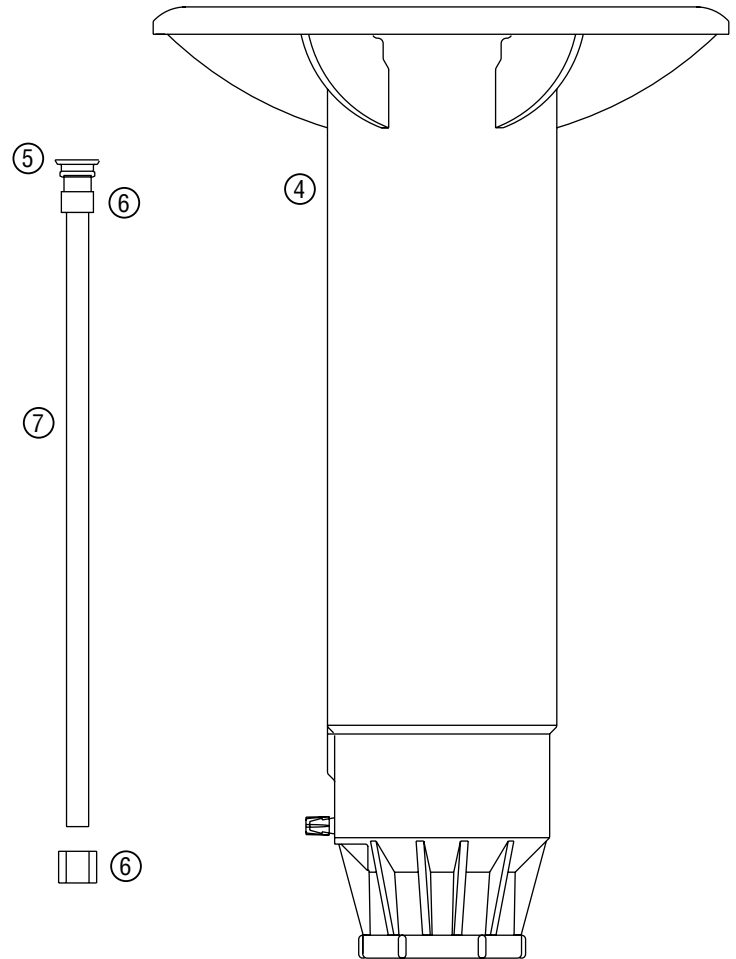
Item	Description	Catalog #
①	Snap Ring - Lower (White)	248800
②	Inlet Valve Assembly - C.O.M. & N.O. Hydraulic (Black Disc) Date Codes 1/98 & Prior	268900
③	Inlet Valve Assembly - C.O.M. & N.O. Hydraulic (Black Disc) Date Codes 2/98 & After	400300
④	Body Assembly, C.O.M. & N.O. Hydraulic Includes items 1 thru 8	463237
⑤	Vent Cap - Valve Air Bleed	456600
⑥	Tube Retainer - 1/4" Tubing	261000
	Tube Connector - 1/4" x 1/4" Tubing (not shown)	297600
⑦	Control Tubing - 1/4" x 11"	289305



Note: COM/HYD Valve Has A Black Disc

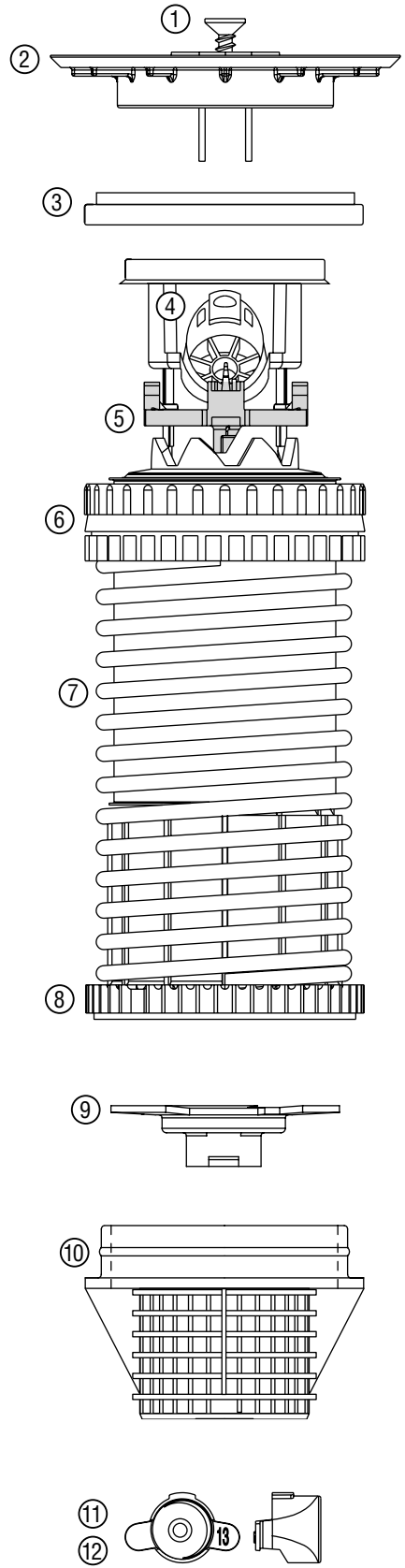


Note: COM/HYD Valve Has A Black Disc



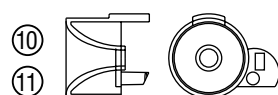
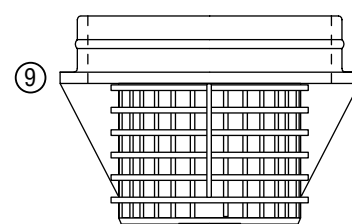
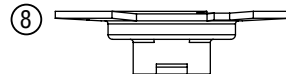
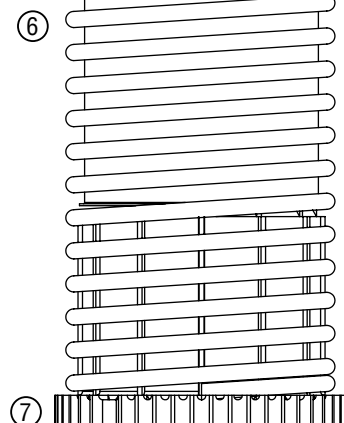
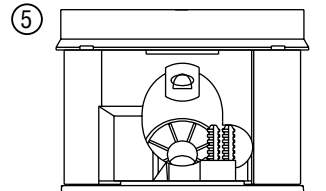
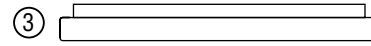
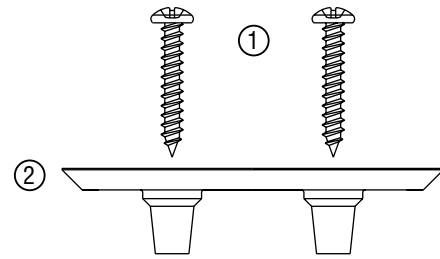
# G-60 Riser Assembly: Full-Circle Configuration

Item	Description	Catalog #	
①	Screw - Logo Cap	351800	
②	Logo Cap	Black	377105
		Purple - Applications: reclaimed water sites	377110
③	Snap Ring Assy - Upper (Black)	382400	
④	Screw - Nozzle Retainer	314300	
⑤	Diffuser Yoke	350600	
⑥	Seal Assembly - Includes seal supports and stainless steel sleeve	350100	
⑦	Spring - Riser Retraction	348700	
⑧	Riser Assembly - Includes items 3 - 11	463507	
⑨	Plate - Stator Adjustment	439600	
⑩	Screen - Riser Inlet	429500	
⑪	Nozzle Pack	462374	
⑫	Nozzle - Bag Of 25	# 7 - Orange	463471
		#10 - Light Green	463472
		#13 - Light Blue	463473
		#15 - Gray	463474
		#18 - Red	463475
	#20 - Dark Brown	463476	



# G-65 Riser Assembly: Adjustable Arc Configuration

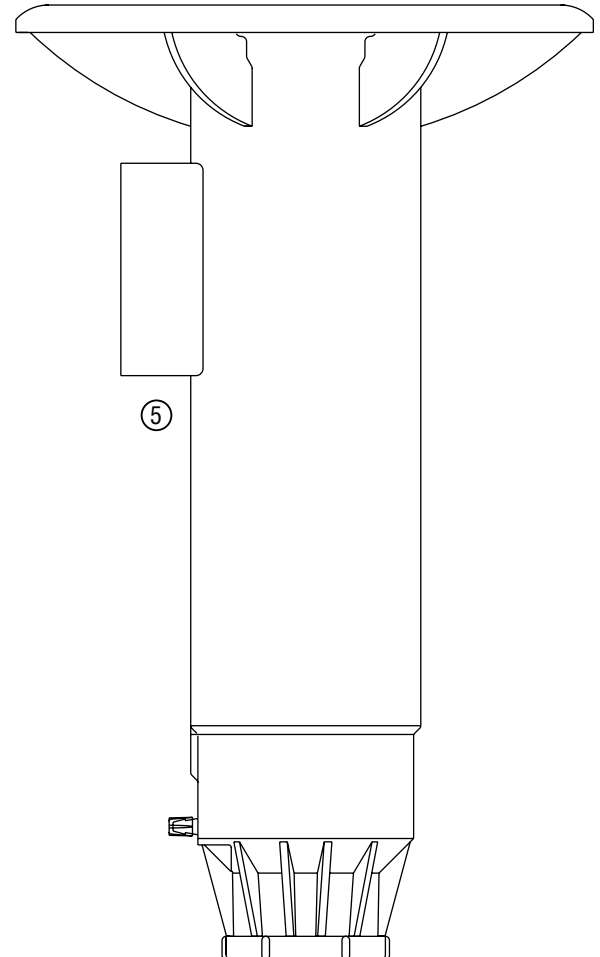
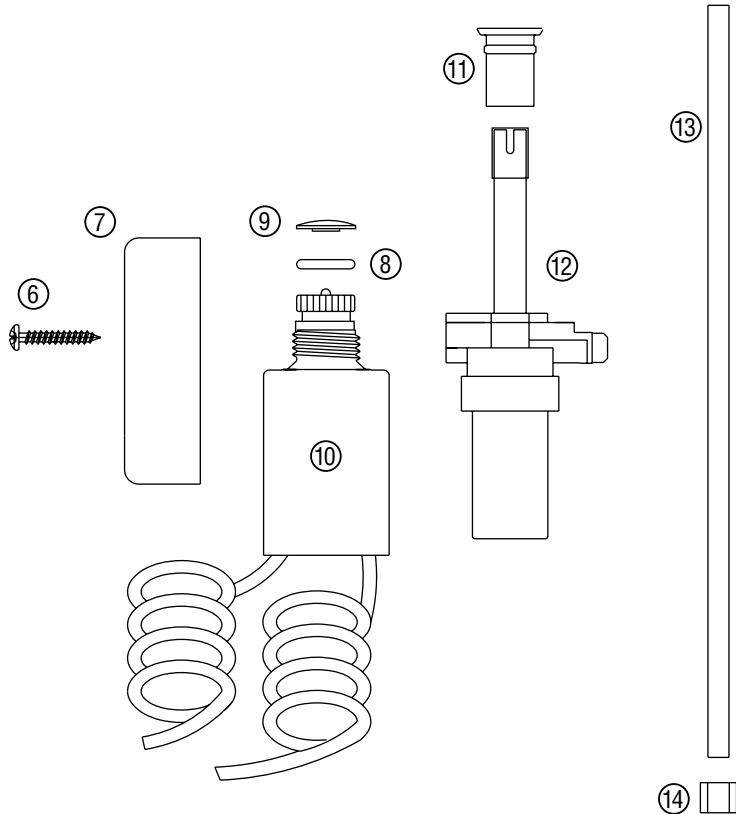
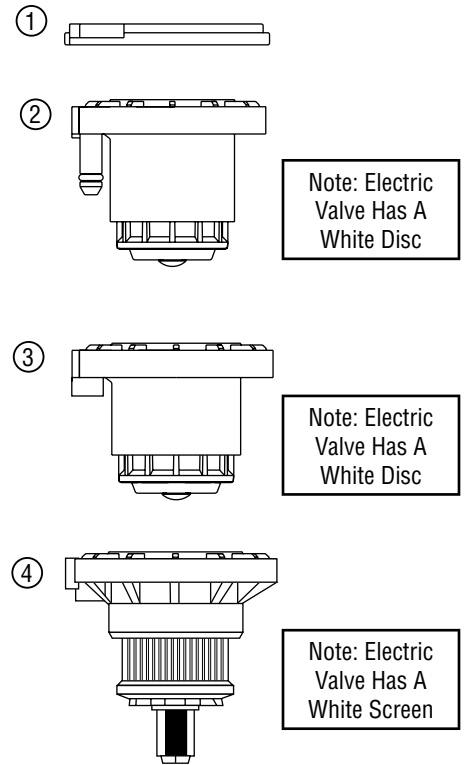
Item	Description	Catalog #	
①	Screw - Logo Cap	376400	
②	Logo Cap	Black	377305
		Purple - Applications: reclaimed water sites	377310
③	Snap Ring Assy - Upper (Black)	382400	
④	Screw - Nozzle Retainer	314300	
⑤	Seal Assembly - Includes seal supports and stainless steel sleeve	350100	
⑥	Spring - Riser Retraction	348700	
⑦	Riser Assembly - Includes items 3 - 10	462482	
⑧	Plate - Stator Adjustment	439600	
⑨	Screen - Riser Inlet	429500	
⑩	Nozzle Pack	462373	
⑪	Nozzle - Bag Of 25	#7 - Orange	472373
		#10 - Light Green	472374
		#13 - Light Blue	472375
		#15 - Gray	472376
		#18 - Red	472377
		#20 - Dark Brown	472378





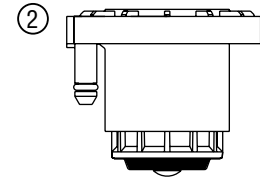
# G-70 Series Body Assembly: *Electric Valve-In-Head*

Item	Description	Catalog #
①	Snap Ring - Lower (White)	248800
②	Inlet Valve Assembly - Electric VIH Date Codes 1/98 & Prior (White Disc)	294800
③	Inlet Valve Assembly - Electric VIH Date Codes 2/98 to 7/02 (White Disc)	400400
④	Inlet Valve Assembly - Electric VIH Date Codes 8/02 & After Supercedes 400400 (White Screen)	446400
⑤	Body Assembly, Electric VIH Includes items 1, 4 & 5	463239
⑥	Screw - Pilot Valve Cover	221400
⑦	Cover - Pilot Valve Box	319001
⑧	O-Ring - Solenoid Thread Seal	262600
⑨	Seal - Solenoid Plunger Seal	364400
⑩	Solenoid Assembly - Includes items 7 & 8	434100
⑪	Rubber Boot - Pilot Valve Selector	291700
⑫	Pilot Valve Assembly - Electric VIH Specify Pressure In Part Number Includes items 13, 14 + connector	2975-??
⑬	Control Tubing - 1/4" x 11"	289305
⑭	Tube Retainer - 1/4" Tubing	261000
⑮	Tube Connector - 1/4" x 1/4" Tubing (not shown)	297600

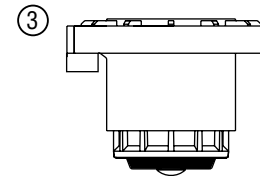


# G-70 Series Body Assembly: *Check-O-Matic and Hydraulic*

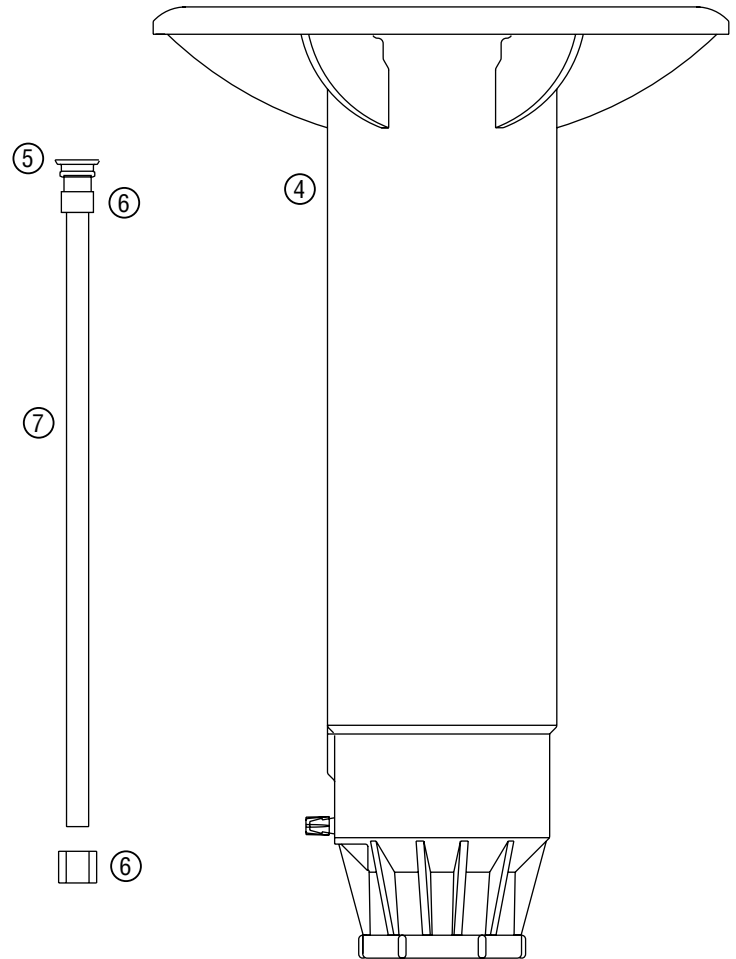
Item	Description	Catalog #
①	Snap Ring - Lower (White)	248800
②	Inlet Valve Assembly - C.O.M. & N.O. Hydraulic (Black Disc) Date Codes 1/98 & Prior	268900
③	Inlet Valve Assembly - C.O.M. & N.O. Hydraulic (Black Disc) Date Codes 2/98 & After	400300
④	Body Assembly, C.O.M. & N.O. Hydraulic Includes items 1 thru 8	463237
⑤	Vent Cap - Valve Air Bleed	456600
⑥	Tube Retainer - 1/4" Tubing	261000
	Tube Connector - 1/4" x 1/4" Tubing (not shown)	297600
⑦	Control Tubing - 1/4" x 11"	289305



Note: COM/HYD Valve Has A Black Disc

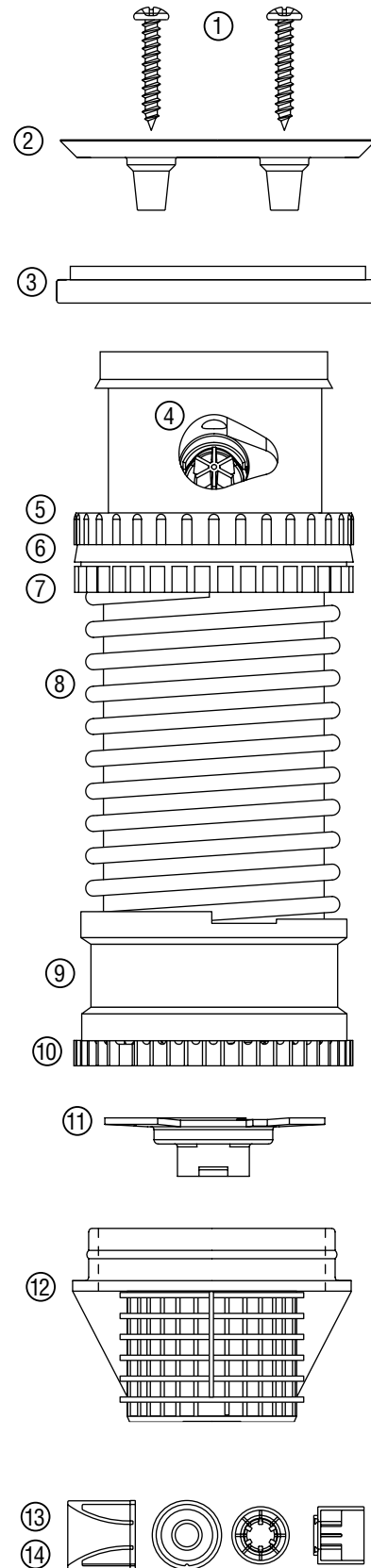


Note: COM/HYD Valve Has A Black Disc



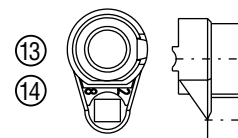
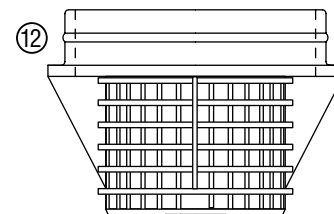
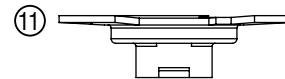
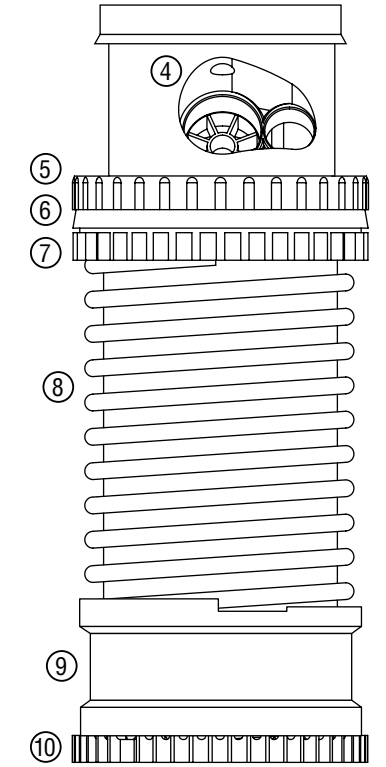
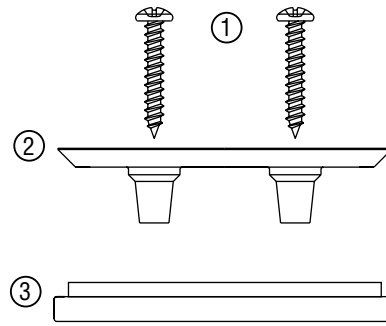
# G-70 Riser Assembly: Full-Circle Configuration

Item	Description	Catalog #	
①	Screw - Logo Cap	376400	
②	Logo Cap	377505	
	Purple - Applications: reclaimed water sites	377510	
③	Snap Ring Assy - Upper (Black)	382400	
④	Screw - Nozzle Retainer	314300	
⑤	Support - Riser Seal Upper	349100	
⑥	Seal - Riser	348900	
⑦	Support - Riser Seal Lower	238300	
⑧	Spring - Riser Retraction	348700	
⑨	Bumper - Riser	405700	
⑩	Riser Assembly - Includes items 3 - 13	463020	
⑪	Plate - Stator Adjustment	439600	
⑫	Screen - Riser Inlet	429500	
⑬	Nozzle Pack	463210	
⑭	Nozzle Rack - Bag Of 25	#15 - Gray	463213
		#18 - Red	463214
		#20 - Dark Brown	463215
		#23 - Dark Green	463216
		#25 - Dark Blue	463217
		#28 - Black	463218



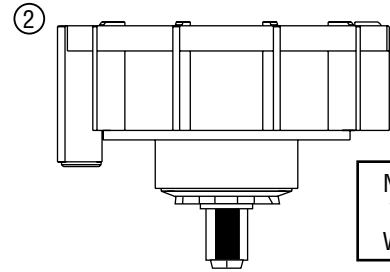
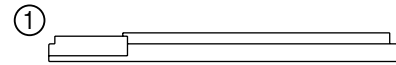
# G-75 Riser Assembly: Adjustable Arc Configuration

Item	Description	Catalog #	
①	Screw - Logo Cap	376400	
②	Logo Cap	Black	377705
		Purple - Applications: reclaimed water sites	377710
③	Snap Ring Assy - Upper (Black)	382400	
④	Screw - Nozzle Retainer	314300	
⑤	Support - Riser Seal Upper	349100	
⑥	Seal - Riser	348900	
⑦	Support - Riser Seal Lower	238300	
⑧	Spring - Riser Retraction	348700	
⑨	Bumper - Riser	405700	
⑩	Riser Assembly - Includes items 3 - 13	463014	
⑪	Plate - Stator Adjustment	439600	
⑫	Screen - Riser Inlet	429500	
⑬	Nozzle Pack	461532	
⑭	Nozzle Assy - Bag Of 25	#8 - Light Brown	463404
		#10 - Light Green	463405
		#13 - Light Blue	463406
		#15 - Gray	463407
		#18 - Red	463408
		#20 - Dark Brown	463409
		#23 - Dark Green	463410
		#25 - Dark Blue	463411
#28 - Black	463412cata		

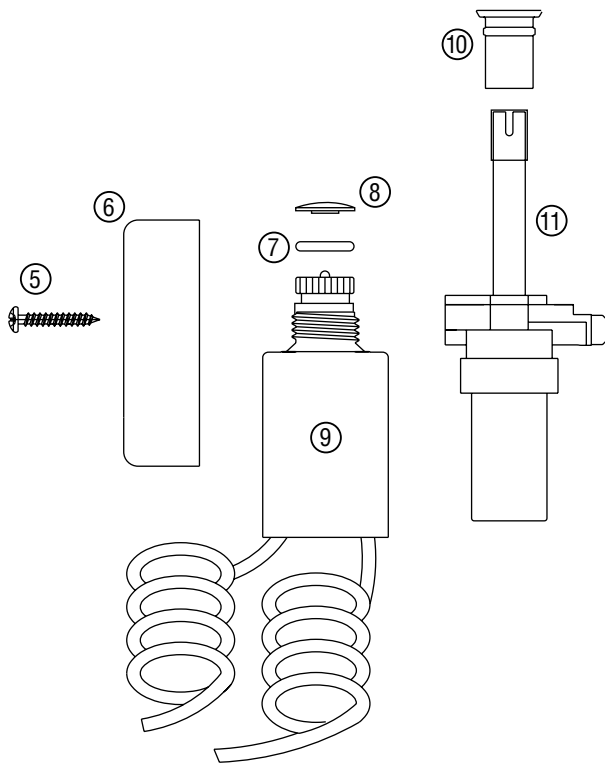
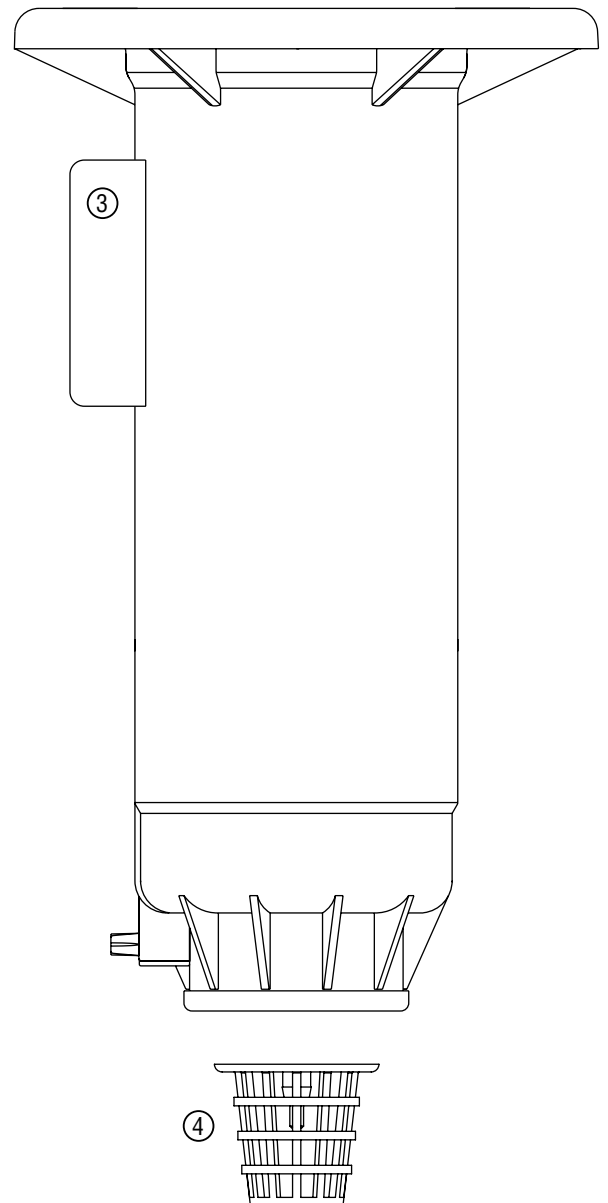


# G-90 Series Body Assembly: *Electric Valve-In-Head*

Item	Description	Catalog #
①	Snap Ring - Lower (White)	283000
②	Inlet Valve Assembly - Electric (White Screen)	289100
③	Body Assembly - Electric VIH Includes items 1 thru 4	463242
④	Rock Screen	284600
⑤	Screw - Pilot Valve Cover	221400
⑥	Cover - Pilot Valve Box	319001
⑦	O-Ring - Solenoid Thread Seal	262600
⑧	Seal - Solenoid Plunger Seal	364400
⑨	Solenoid Assembly - Includes items 7 & 8	434100
⑩	Rubber Boot - Pilot Valve Selector	291700
⑪	Pilot Valve Assembly - Electric VIH Specify Pressure In Part Number Includes items 12, 13 + connector	2975-??
⑫	Control Tubing - 1/4" x 11"	289305
⑬	Tube Retainer - 1/4" Tubing	261000
⑭	Tube Connector - 1/4" x 1/4" Tubing (not shown)	297600

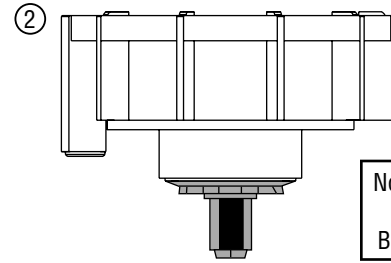
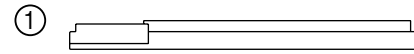


Note: Electric Valve Has A White Screen

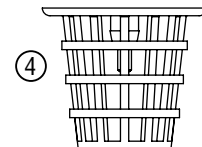
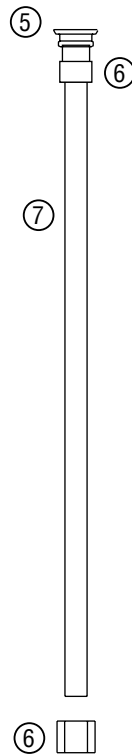
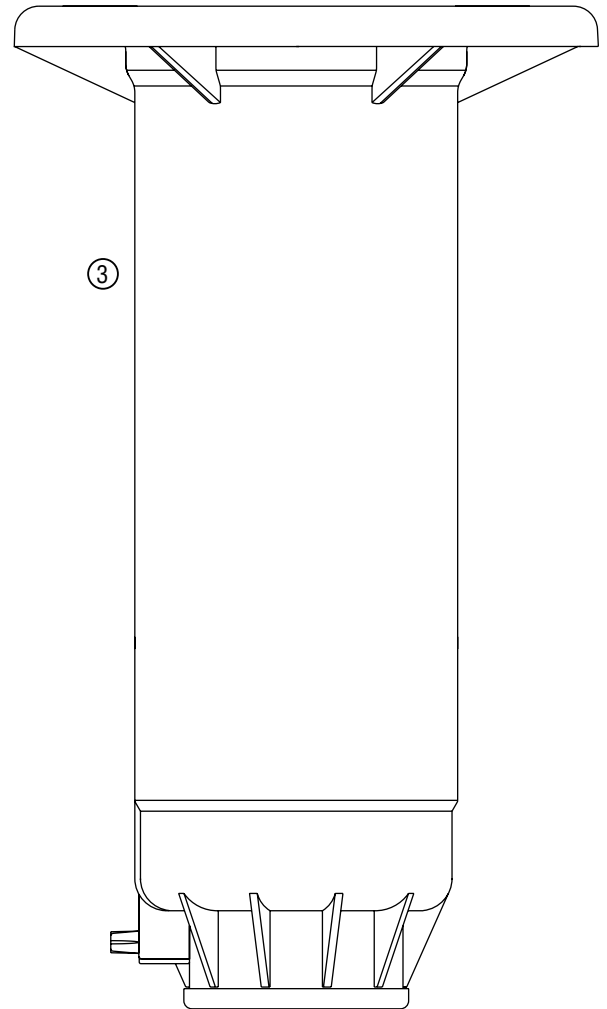


# G-90 Series Body Assembly: *Check-O-Matic and Hydraulic*

Item	Description	Catalog #
①	Snap Ring - Lower (White)	283000
②	Inlet Valve Assembly - C.O.M. & N.O. Hydraulic (Black Seat Seal)	288500
③	Body Assembly, C.O.M. & N.O. Hydraulic - Includes items 1 thru 8	463240
④	Rock Screen	284600
⑤	Vent Cap - Valve Air Bleed	456600
⑥	Tube Retainer - 1/4" Tubing	261000
⑦	Tube Connector - 1/4" x 1/4" Tubing (not shown)	297600
⑧	Control Tubing - 1/4" x 11"	289305

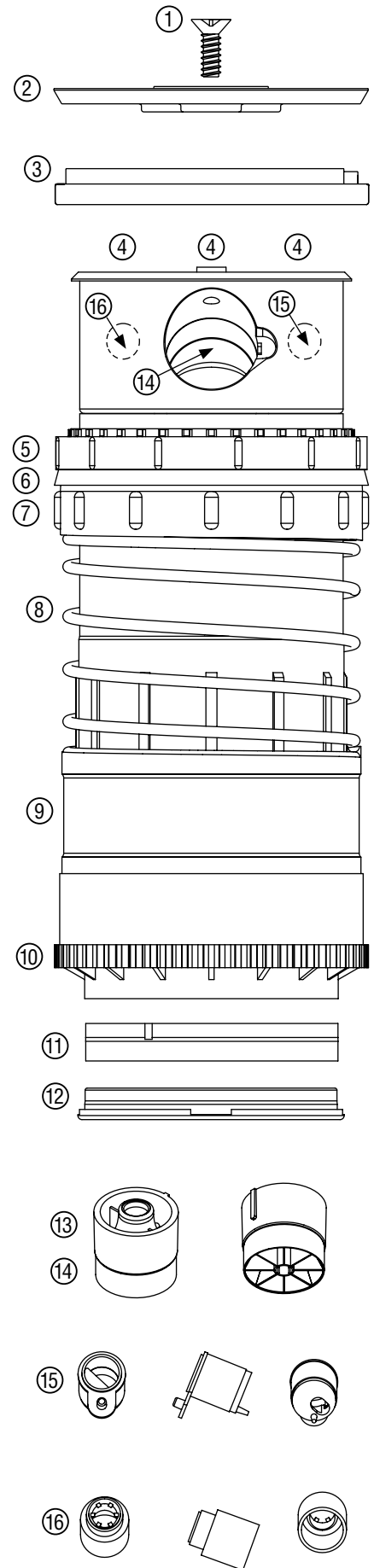


Note: COM/HYD Valve Has A Black Seat Seal



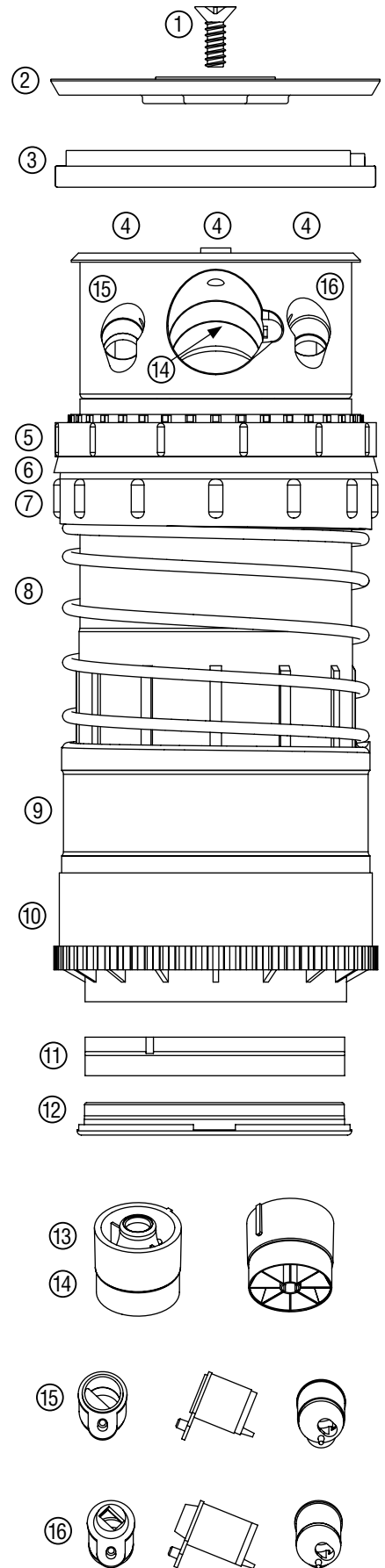
# G-90 Riser Assembly: Full-Circle Configuration

Item	Description	Catalog #	
①	Screw - Logo Cap Retainer	351800	
②	Rubber Logo Cap	Black	377905
		Purple - Applications: reclaimed water sites	377910
③	Snap Ring Assy. - (Black)	430700	
④	Screw - Nozzle Retainer	314300	
⑤	Support - Riser Seal Upper	406200	
⑥	Seal - Riser	406100	
⑦	Support - Riser Seal Lower	406300	
⑧	Spring - Riser Retraction	428600	
⑨	Bumper - Riser	405800	
⑩	Riser Assembly - Includes items 3 - 13, 15 & 16	463002	
⑪	Plate - Stator Adjustment	283300	
⑫	Screen - Riser Inlet	286800	
⑬	Nozzle Pack - Primary Nozzles	461204	
⑭	Primary Nozzles - Bag Of 25	#33 - Gray	464363
		#38 - Red	464364
		#43 - Dark Brown	464365
		#48 - Dark Green	464366
		#53 - Dark Blue	464367
		#63 - Black	464368
⑮	Nozzle - Short-Range (Left, Black)	439100	
⑯	Nozzle - Mid-Range (Right, Blue)	455400	



# G-95 Riser Assembly: Adjustable Arc Configuration

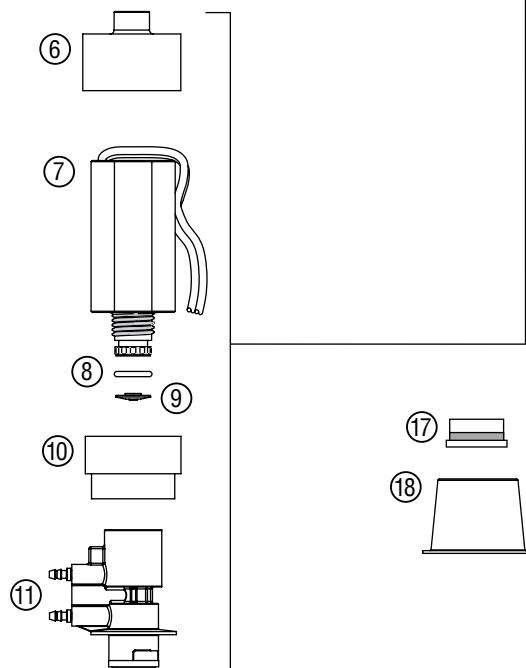
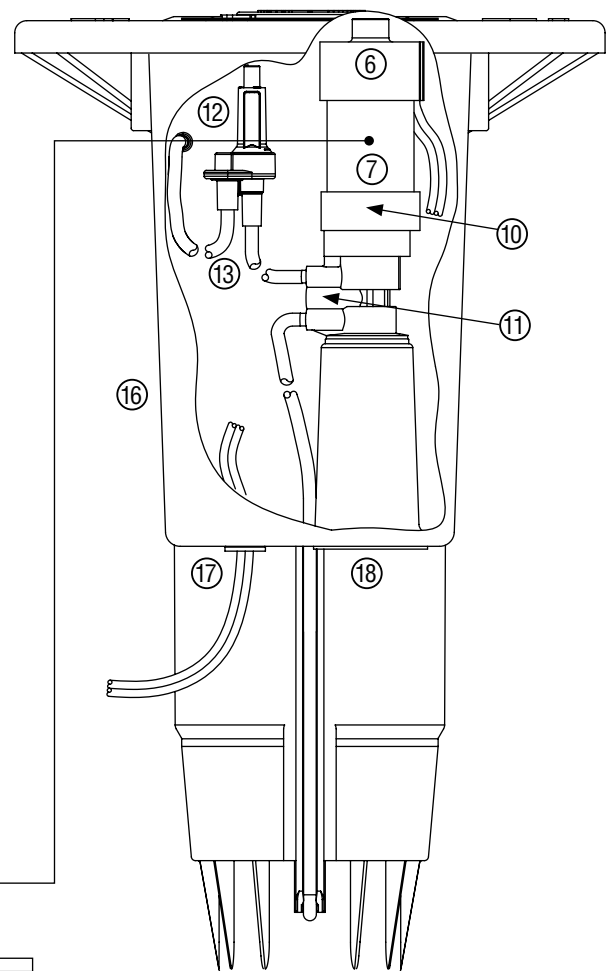
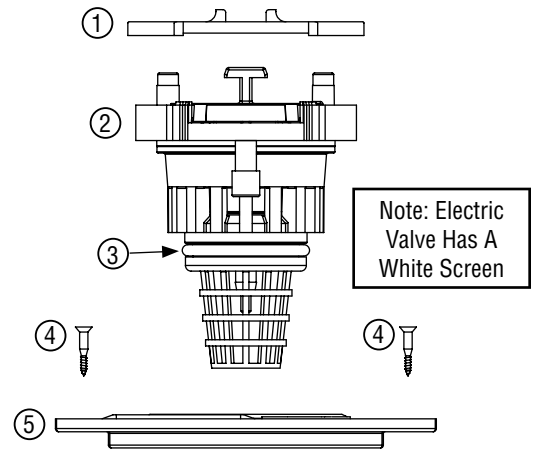
Item	Description	Catalog #	
①	Screw - Logo Cap Retainer	351800	
②	Rubber Logo Cap	Black	378105
		Purple - Applications: reclaimed water sites	378110
③	Snap Ring Assy. - (Black)	430700	
④	Screw - Nozzle Retainer	314300	
⑤	Support - Riser Seal Upper	406200	
⑥	Seal - Riser	406100	
⑦	Support - Riser Seal Lower	406300	
⑧	Spring - Riser Retraction	428600	
⑨	Bumper - Riser	405800	
⑩	Riser Assembly - Includes items 3 - 13, 15 & 16	463004	
⑪	Plate - Stator Adjustment	283300	
⑫	Screen - Riser Inlet	286800	
⑬	Nozzle Pack - Primary Nozzles	461204	
⑭	Primary Nozzles - Bag Of 25	#33 - Gray	464363
		#38 - Red	464364
		#43 - Dark Brown	464365
		#48 - Dark Green	464366
		#53 - Dark Blue	464367
		#63 - Black	464368
⑮	Nozzle - Short-Range (Left, Black)	439100	
⑯	Nozzle - Mid-Range (Right, Green)	439000	





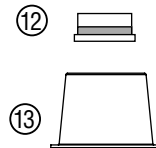
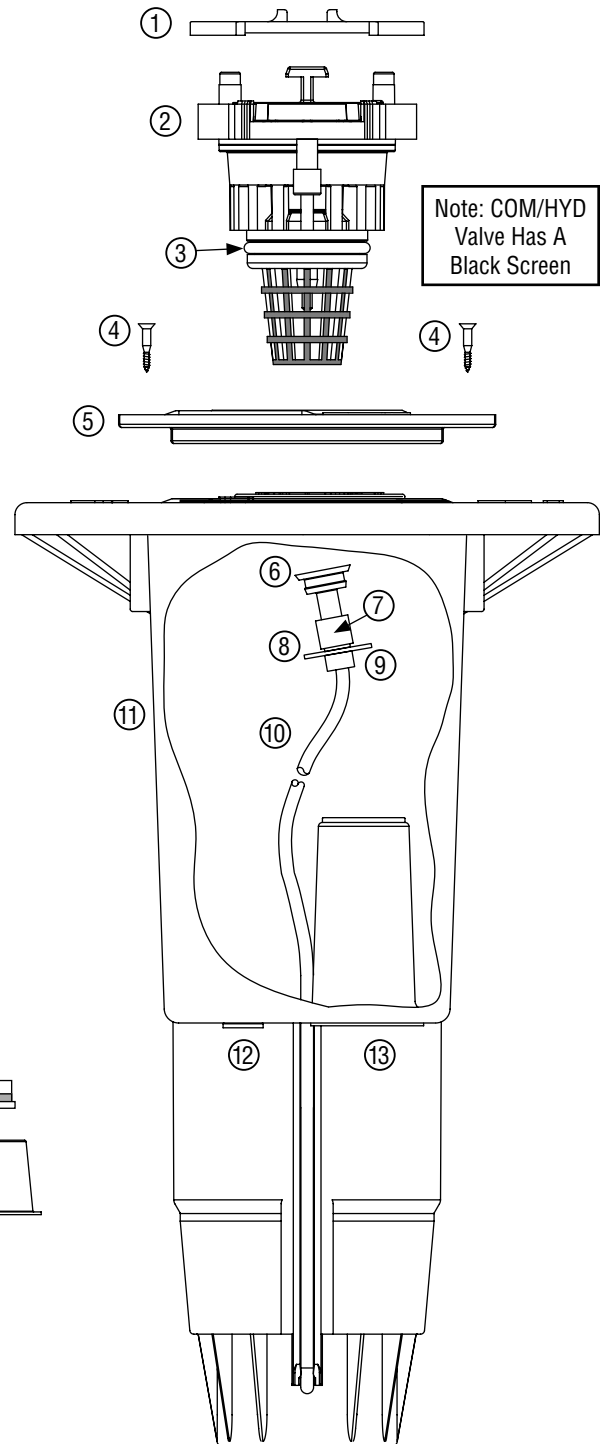
# G-800 Series Body Assembly: *Electric Valve-In-Head*

Item	Description	Catalog #
①	Snap Ring - Lower (White)	526800
②	Inlet Valve Assembly - Electric VIH (White Screen)	426900
③	O-Ring - Inlet Valve To Body Seal	426300
④	Screw - Flange Lid Retainer	376400
⑤	Lid - Flange Compartment - Electric	449400
⑥	Selector Cap & Detent Ring Kit	461536
⑦	Solenoid Kit (Includes items 6, 7, 8, 9 & 10)	461537
⑧	O-Ring - Solenoid Thread Seal	262600
⑨	Seal - Solenoid Plunger Seal	364400
⑩	Selector Cap & Detent Ring Kit	461536
⑪	Pilot Valve Kit - Electric VIH (black)	461540
⑫	Pressure Regulator Kit - Adjustable (50, 65 & 80 psi)	461538
⑬	Control Tubing Kit - Includes 24" of 1/8" tubing, connector & retainers (2)	461539
⑭	Tube Retainer - 1/8" Tubing (not shown)	476000
⑮	Connector - 1/8" x 1/8" Tubing (not shown)	494400
⑯	Body Assembly, Electric VIH - Includes tubing to pilot valve & tubing to regulator plus items 4, 5, 16, 17 & 18. (does not include pilot valve or pressure regulator)	463736
⑰	Cap, Protective - solenoid wires	456800
⑱	Cap, Protective - lower compartment	474400



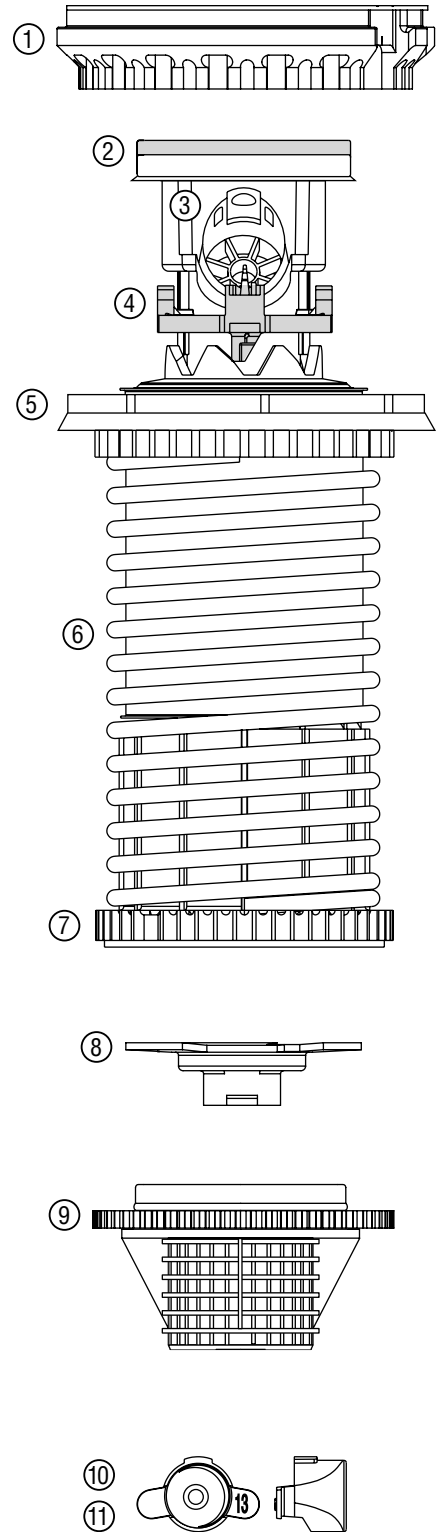
# G-800 Series Body Assembly: *Check-O-Matic and Hydraulic*

Item	Description	Catalog #
①	Snap Ring - Lower (White)	426100
②	Inlet Valve Assembly - C.O.M. & N.O. Hydraulic (Black Screen)	456900
③	O-Ring - Inlet Valve To Body Seal	426300
④	Screw - Flange Lid Retainer	376400
⑤	Lid - Flange Compartment - Electric	449405
⑥	Vent Cap - Valve Air Bleed	456600
⑦	Tube Retainer - 1/4" Tubing	261000
⑧	Connector - 1/4" x 1/8" Tubing (not shown)	402100
⑨	Tube Retainer - 1/8" Tubing	476000
⑩	Control Tubing Kit - Includes 24" of 1/8" tubing, connector & retainers (2)	461539
⑪	Body Assembly, C.O.M. & N.O. Hydraulic Includes items 4 thru 13	463734
⑫	Cap, Protective - solenoid wires	456800
⑬	Cap, Protective - lower compartment	474400



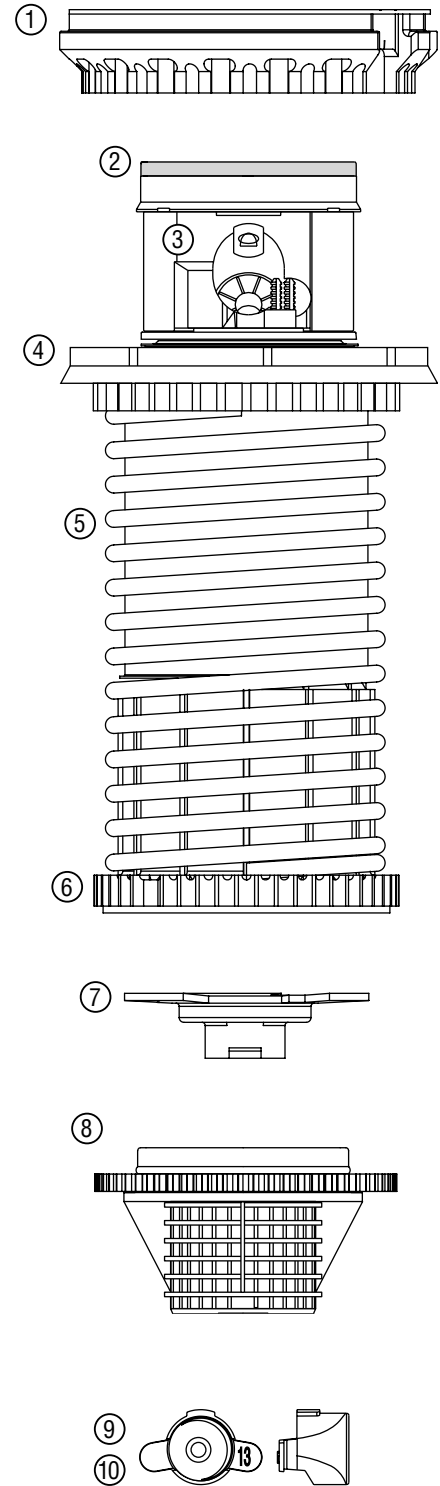
# G-860 Riser Assembly: Full-Circle Configuration

Item	Description		Catalog #
①	Snap Ring Assy.	Upper (Black)	450000
		Upper (Purple) - Reclaimed water sites applications	474700
②	Rubber Logo Cap - (Black)		402600
	Screw - Nozzle Retainer		314300
③	Diffuser Yoke		350600
④	Seal Assembly - Includes seal supports and stainless steel sleeve		457400
⑤	Spring - Riser Retraction		348700
⑦	Riser Assembly - Includes items 1 - 10		474572
⑧	Plate - Stator Adjustment		439600
⑨	Screen - Riser Inlet		450600
⑩	Nozzle Pack		462374
⑪	Nozzle - Bag Of 25	#7 - Orange	463471
		#10 - Light Green	463472
		#13 - Light Blue	463473
		#15 - Gray	463474
		#18 - Red	463475
		#20 - Dark Brown	463476



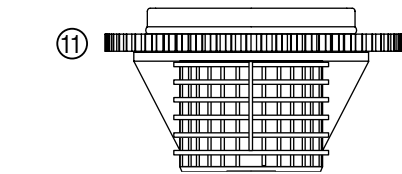
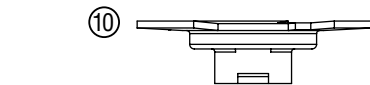
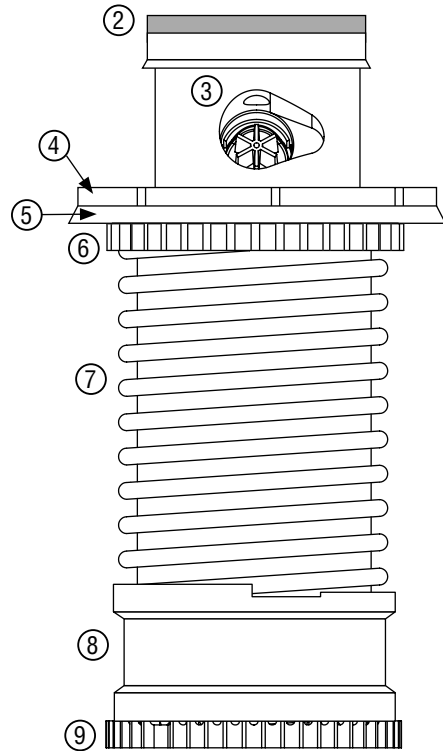
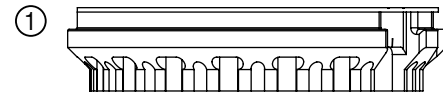
# G-865 Riser Assembly: Adjustable Arc Configuration

Item	Description	Catalog #	
①	Snap Ring Assy.	Upper (Black)	450000
		Upper (Purple) - Reclaimed water sites applications	474700
②	Rubber Logo Cap - (Black)	402700	
③	Screw - Nozzle Retainer	314300	
④	Seal Assembly - Includes seal supports and stainless steel sleeve	457400	
⑤	Spring - Riser Retraction	348700	
⑥	Riser Assembly - Includes items 1 - 9	474573	
⑦	Plate - Stator Adjustment	439600	
⑧	Screen - Riser Inlet	450600	
⑨	Nozzle Pack	462373	
⑩	Nozzle - Bag Of 25	#7 - Orange	472373
		#10 - Light Green	472374
		#13 - Light Blue	472375
		#15 - Gray	472376
		#18 - Red	472377
		#20 - Dark Brown	472378



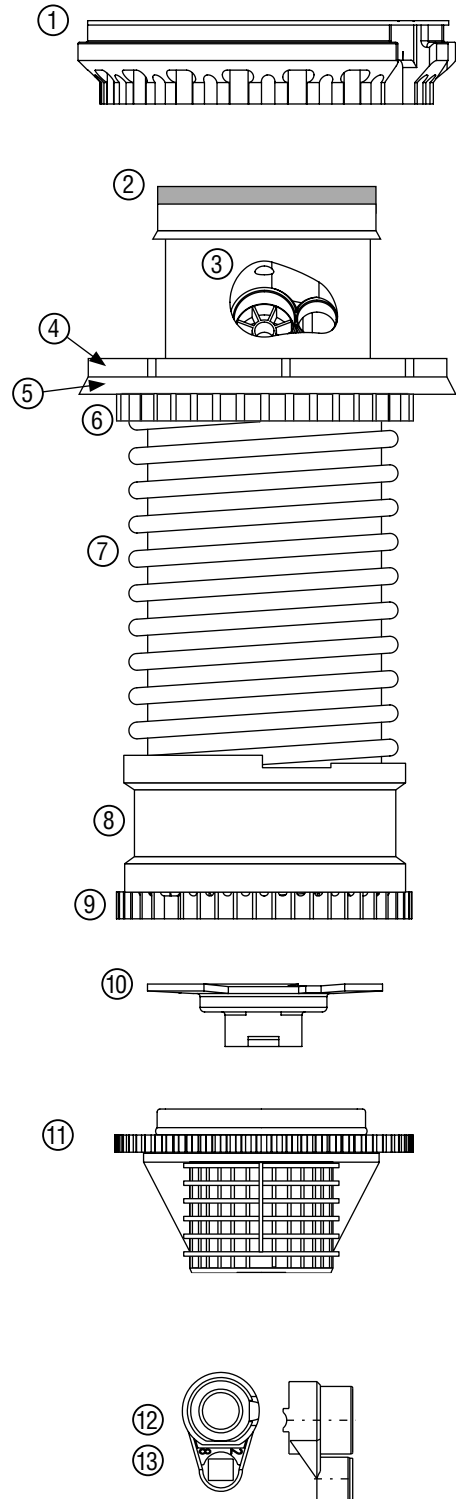
# G-870 Riser Assembly: Full-Circle Configuration

Item	Description	Catalog #	
①	Snap Ring Assy. Upper (Black)	450000	
	Upper (Purple) - Reclaimed water sites applications	474700	
②	Rubber Logo Cap - (Black)	402710	
③	Screw - Nozzle Retainer ( 2 req'd)	314300	
④	Support - Riser Seal Upper	450400	
⑤	Seal - Riser	450500	
⑥	Support - Riser Seal Lower	238300	
⑦	Spring - Riser Retraction	348700	
⑧	Bumper - Riser	405700	
⑨	Riser Assembly - Includes items 1 - 12	474507	
⑩	Plate - Stator Adjustment	439600	
⑪	Screen - Riser Inlet	450600	
⑫	Nozzle Pack	463210	
⑬	Nozzle Rack - Bag Of 25	#15 - Gray	463213
		#18 - Red	463214
		#20 - Dark Brown	463215
		#23 - Dark Green	463216
		#25 - Dark Blue	463217
		#28 - Black	463218



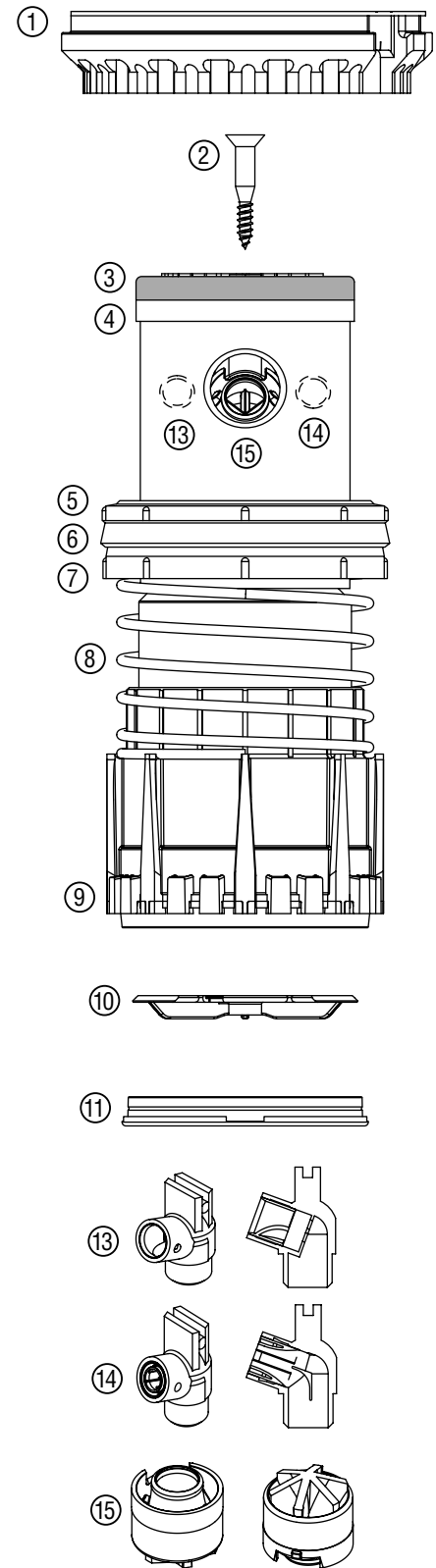
# G-875 Riser Assembly: Adjustable Arc Configuration

Item	Description	Catalog #	
①	Snap Ring Assy.	Upper (Black)	450000
		Upper (Purple) Reclaimed water sites applications	474700
②	Rubber Logo Cap - (Black)	402720	
③	Screw - Nozzle Retainer	314300	
④	Support - Riser Seal Upper	450400	
⑤	Seal - Riser	450500	
⑥	Support - Riser Seal Lower	238300	
⑦	Spring - Riser Retraction	348700	
⑧	Bumper - Riser	405700	
⑨	Riser Assembly - Includes items 1 - 12	474571	
⑩	Plate - Stator Adjustment	439600	
⑪	Screen - Riser Inlet	450600	
⑫	Nozzle Pack	461532	
⑬	Nozzle Assy - Bag Of 25	#8 - Light Brown	463404
		#10 - Light Green	463405
		#13 - Light Blue	463406
		#15 - Gray	463407
		#18 - Red	463408
		#20 - Dark Brown	463409
		#23 - Dark Green	463410
		#25 - Dark Blue	463411
#28 - Black	463412		



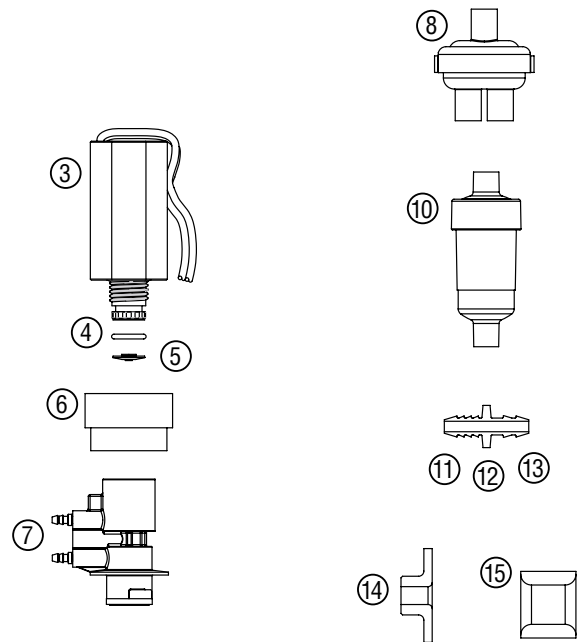
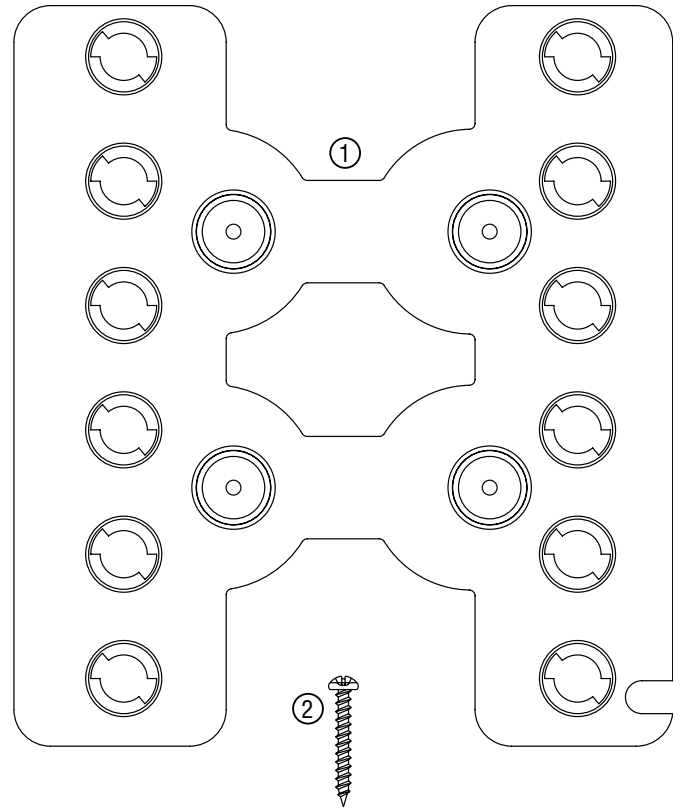
# G-880 Riser Assembly: Full-Circle Configuration

Item	Description	Catalog #
①	Snap Ring Assy. Upper (Black)	450100
	Upper (Purple) - Reclaimed water sites applications	450105
②	Screw - Shroud Retainer	376400
③	Rubber Logo Cap - (Black)	453800
④	Shroud - Nozzle Housing	454100
⑤	Support - Riser Seal Upper	453000
⑥	Seal - Riser	453100
⑦	Support - Riser Seal Lower	453200
⑧	Spring - Riser Retraction	452900
⑨	Riser Assembly - SRU - Includes items 1 - 14 + #48 nozzle installed	460009
⑩	Plate - Stator Adjustment	452700
⑪	Screen - Riser Inlet	286800
⑫	Nozzle Pack - Primary Nozzles (not shown) one each #25 thru #53	460002
⑬	Nozzle - Short Range - Black	495000
⑭	Nozzle - Mid-Range - Blue	494900
⑮	Nozzle - Primary - Bag Of 25	#25 - Light Blue 460003
		#33 - Gray 460004
		#38 - Red 460005
		#43 - Dark Brown 460006
		#48 - Dark Green 460007
	#53 - Dark Blue 460008	



# HYD-10 and HYD-12: Hydraulic Modules

Item	Description	Catalog #
①	Plate - Mounting	425000
②	Screw - Mounting	334000
③	Solenoid Kit - HYD & G800 Only Includes tems 3, 4, 5 & 6	461537
④	O-Ring - Solenoid Thread Seal	262600
⑤	Seal - Solenoid Plunger Seal	364400
⑥	Selector Cap & Detent Ring Kit	461536
⑦	TriActuator - HYD Mod (gray)	461640
⑧	Connector - 4-Way H for 1/8" Tubing	432300
⑨	Plug - 4-Way H Connector (not shown)	432500
⑩	Filter - Supply Line	432400
⑪	Connector - 1/8" x 1/8" Tubing	494400
⑫	Connector - 1/4" x 1/8" Tubing	402100
⑬	Connector - 1/4" x 1/4" Tubing	297600
⑭	Retainer - 1/8" Tubing	476000
⑮	Tube Retainer - 1/4" Tubing	261000
⑯	Control Tubing Kit - Includes 24" of 1/8" tubing, connector & retainers (2) (not shown)	461539





# Hunter®

---

**Hunter Industries Incorporated • The Irrigation Innovators**  
1940 Diamond Street • San Marcos, California 92069 • TEL: (1) 760-744-5240 • FAX: (1) 760-744-7461  
[www.HunterIndustries.com](http://www.HunterIndustries.com)

© 2004 Hunter Industries Incorporated  
70-108 2/04