

TABLE OF CONTENTS

Rotors

PGJ-00: Gear-Driven Sprinkler	1
PGJ-04, 06, 12: Gear-Driven Sprinklers	2
SRM-04, PGM-04, 06, 12: Gear-Driven Sprinklers	3
PGP®: Gear-Driven Sprinkler	4
PGP-ATR: Gear-Driven Sprinkler	5
PGP-00: Gear-Driven Sprinkler	6
PGP-04 Ultra, PGP-12 CV Ultra: Gear-Driven Sprinklers	7
I-20-00: Gear-Driven Sprinklers	8
I-20-04, I-20-06, 1-20-12: Gear-Driven Sprinklers	9
I-25-04, 06: Gear-Driven Sprinklers	10
I-40-04, 06: Gear-Driven Sprinklers	11
I-60: Gear-Driven Sprinklers	12
I-90: Gear-Driven Sprinkler	13
ST-90: Gear-Driven Sprinkler	14
STG-900: Gear-Driven Sprinkler	15
ST-1600B: Pop-Up	16
ST-1600 Gear-Drive: B and BR Models	17
ST-1600 Gear-Drive: B and BR Models	18

Sprays

PSU-02, 04, 06: PS Ultra Spray Sprinklers	19
PROS-02, 03, 04, 06, 12: Pro-Spray® Sprinklers	20
PRS30-04, 06, 12: Pro-Spray® Pressure Regulated Spray Bodies	21
PRS40-04CV, 06CV, 12CV: Pro-Spray® Pressure Regulated Spray Bodies	22

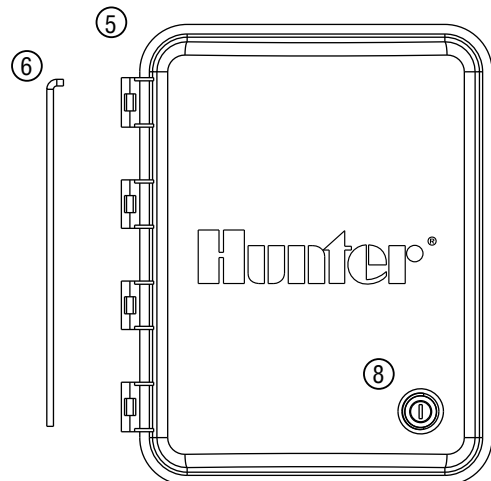
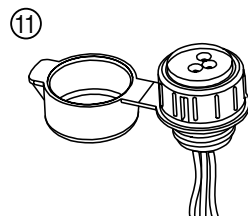
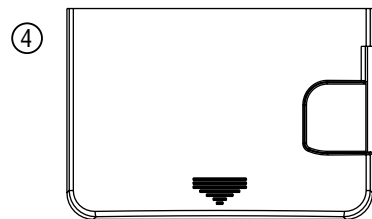
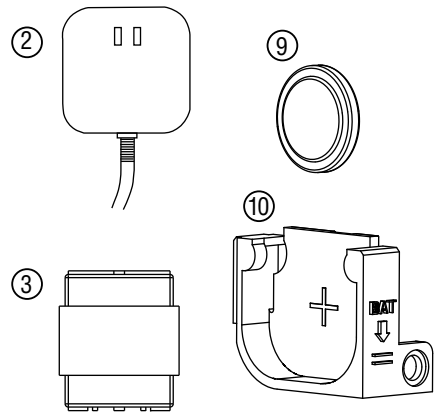
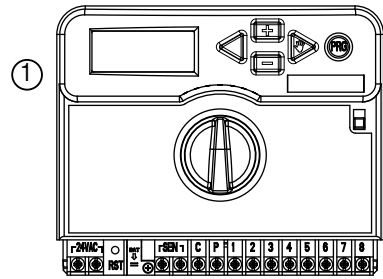
Valves

SRV: Plastic Valve	23
PGV-ASV: Plastic Valve (6-Bolt Bonnet Design)	24
PRO-ASV: Plastic Valve	25
PGV-100G/101G: Plastic Valves	26
PGV Jar-Top: Plastic Valve	27
PGV-100A/101A: Plastic Valves	28
PGV-151G, 201G: Plastic Valves	29
HPV: Plastic Valve	30
ICV-101G, 151G, 201G: Plastic Valves	31
ICV-301: Plastic Valve	32
IBV-101G, 151G, 201G: Brass Valves	33
IBV-301G: Brass Valves	34
HBV: Brass Valve	35
HBV: Brass Valve	36
HQ3RC: Quick Coupler Valve	37
HQ33RC, HQ33LRC, HQ33LRCR: Quick Coupler Valve	38
HQ44RC, HQ44LRC, HQ44LRCR: Quick Coupler Valve	39
HQ44RCAW, HQ44LRCAW, HQ44LRCAWR: Quick Coupler Valve	40

HQ5RC, HQ5LRC, HQ5LRCR: Quick Coupler Valve	41
ICZ-101: Drip Control Zone Kit..	42
ICZ-151: Drip Zone Kit	43
PCZ-101: Drip Zone Control Kit	44
ACZ-075: Drip Control Zone Kit..	47
Controllers	
XC Controller: Residential Controller	48
XC Hybrid Controller: Residential Controller (Battery Operated)..	49
XC Hybrid Controller: Residential Controller (Stainless Steel)..	50
Pro-C®: Indoor and Outdoor Controller..	51
PCC: Indoor and Outdoor Controllers	52
ICC: Institutional/Commercial Controller (ICC-800PL & ICC-801PL) – Plastic Cabinet.	53
ICC: Institutional/Commercial Controller (ICC-800M & ICC-800SS) – Metal Cabinet..	54
ICC Plastic Pedestal	55
I-Core®: Institutional/Commercial Controller (IC-600PL & IC601PL) – Plastic Cabinet	56
I-Core: Institutional/Commercial Controller (IC-800M & IC-800SS) – Metal Cabinet..	57
I-Core Plastic Pedestal	58
IMMS®-CCC: Irrigation Management and Monitoring	59
IMMS-SI: Irrigation Management and Monitoring System	60
IMMS-CI: Irrigation Management and Monitoring System	61
ACC Wall Mount Controllers (ACC1200, ACC99D)	62
ACC Pedestal Controllers (ACC1200PP, AGC1200PP, AGC99DPP)..	63
ICD-HP Components	64
Steel Controller Enclosure Parts (IDSSP, IDSSW)	65
Plastic Pedestal Kits IDS-PP	66
Plastic Wall Enclosure Kits IDS-PW	67
IDS Decoder Controller Components	68
ET Systems..	69
ICR: Remote Control Unit	70
ROAM: Remote Control Unit	71
ROAM XL: Remote Control Unit	72
SVC & WVC Controllers	73
NODE Controllers	74
PSR-22, PSR-52, PSR-53: Pump Start Relays	75
PSR-B: Pump Start Relay Booster	76
Mini-Clik®: Rain Sensor	77
WRC & WRFC: Wireless Rain Sensors	78
Rain-Clik®: Rain Sensor	79
Solar Sync® and Wireless Solar Sync: ET Sensor	80
Accessories..	81
Notes	83

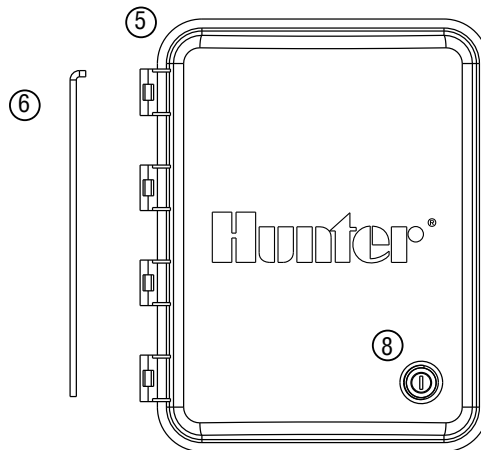
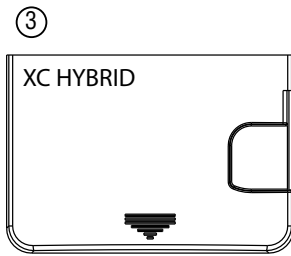
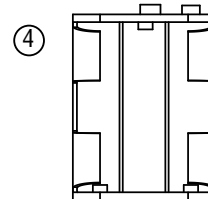
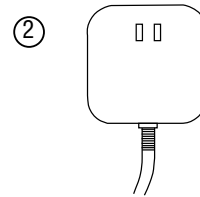
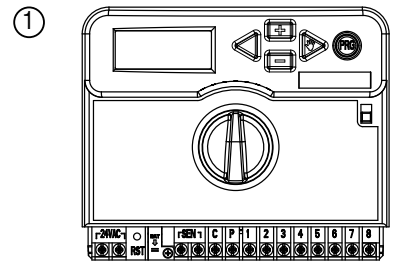
XC Controller: Residential Controller

Item	Description	Catalog No.	
①	Front Panel (<i>Outdoor & Indoor</i>)	2-Station	625802
		4-Station	625804
		6-Station	625806
		8-Station	625808
②	Indoor Transformer	120/24VAC (U.S.)	526500
		230/24VAC (European)	545700
		240/24VAC (Australian)	545500
③	Outdoor Transformer	120/24VAC (U.S.)	468000
		230/24VAC (European)	545800
		240/24VAC (Australian)	545600
④	Access Door	Indoor Model	471020
		Outdoor Model	471010
⑤	Front Door	428000	
⑥	Front Door Hinge Pin	429200	
⑦	Key Set (2)	122516	
⑧	Lock & Key Set	387300	
⑨	3-Volt Lithium Battery (<i>CR2032</i>)	622032	
⑩	Battery Holder	627800	
⑪	SmartPort® Wiring Harness	6' Wire	ROAMWH
		25' Wire - Shielded	ROAM-SCWH
	Owner's Manual	English, Spanish, French, Italian, German, Portuguese, Turkish	LIT-397



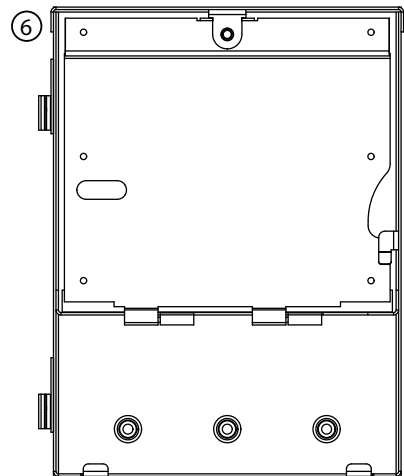
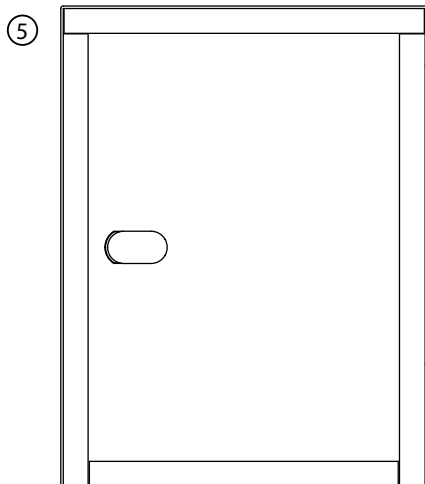
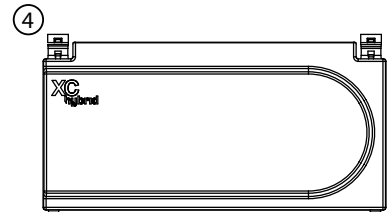
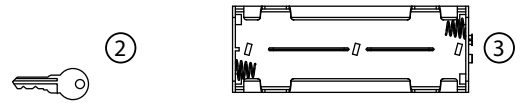
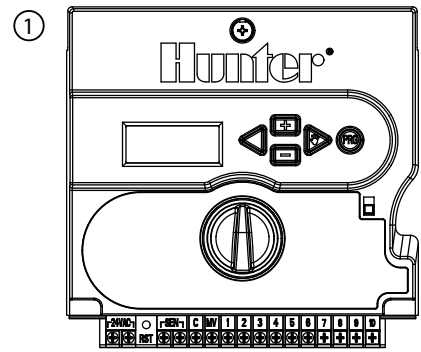
XC Hybrid Controller: Residential Controller (Battery Operated)

Item	Description		Catalog No.
①		6-Station	152520
		12-Station	152505
②	Indoor Transformer <i>(Optional)</i>	120/24VAC (U.S.)	526500
		230/24VAC (European)	545700
		240/24VAC (Australian)	545500
③	Access Door	Outdoor Model	471010
④	Battery Holder <i>(6AA Not Included)</i>		152200
⑤	Front Door		428000
⑥	Front Door Hinge Pin		429200
⑦	Key Set (2)		122516
⑧	Lock & Key Set		387300
	Solar Panel Charging Unit for XCH		517400
	Solar Panel Replacement Assembly		517300



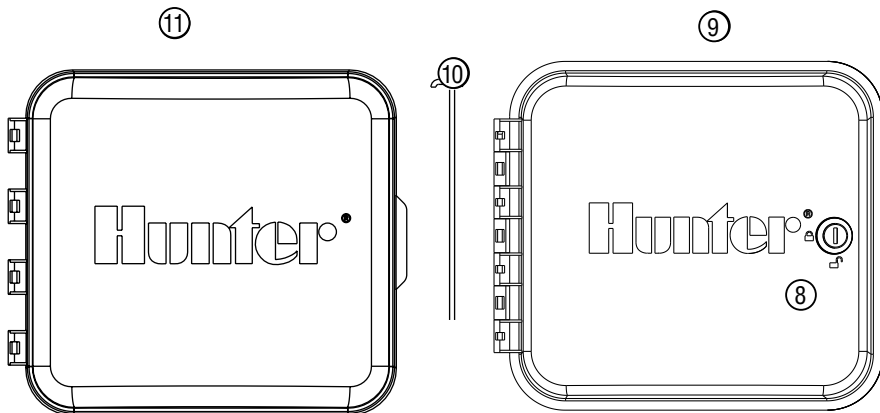
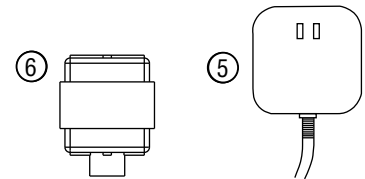
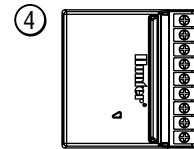
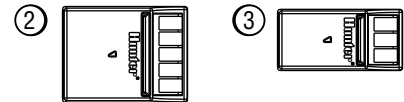
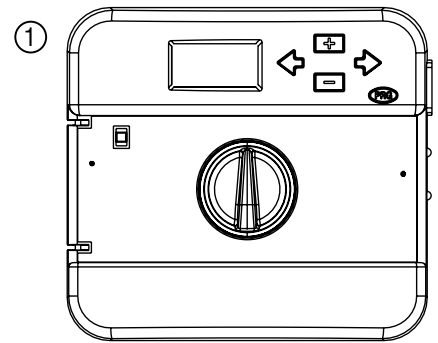
XC Hybrid Controller: Residential Controller (Stainless Steel)

Item	Description	Catalog No.
①	6-Station	152520
	12-Station	152505
②	Key Set (2)	122516
③	Battery Holder (6 C Cells Not Included)	152200
④	Access Panel	471010
⑤	Stainless Steel Door	176200
⑥	Stainless Steel Rear Enclosure	148100
	Solar Panel Charging Unit for XCH	517400
	Solar Panel Replacement Assembly	517300



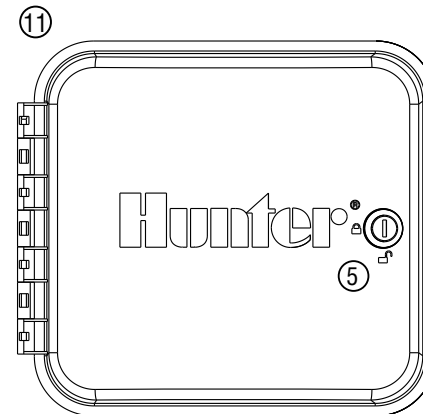
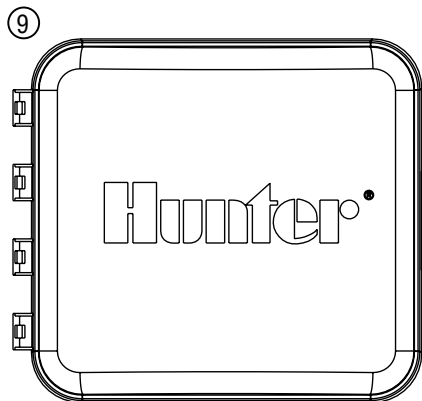
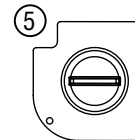
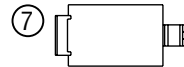
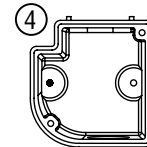
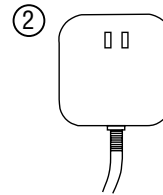
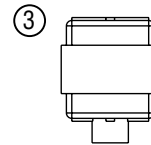
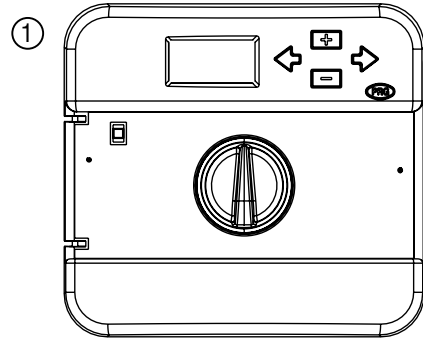
Pro-C®: Indoor and Outdoor Controller

Item	Description	Catalog No.	
①	Front Panel – Old Pro-C 300	526200	
①	Front Panel – New Pro-C 400	821501	
②	Main Module – Old Pro-C 3-Station (black)	466500	
②	Main Module – New Pro-C 4-Station (gray)	820200	
③	3-Station Expansion Module	PCM-300	
④	9-Station Expansion Module	PCM-900	
⑤	Indoor Transformer	120/24VAC (U.S.)	526500
		230/24VAC (European)	545700
		240/24VAC (Australian)	545500
⑥	Outdoor Transformer	120/24VAC (U.S.)	468000
		230/24VAC (European)	545800
		240/24VAC (Australian)	545600
⑦	Key Set (2)	122516	
⑧	Lock & Key Set	387300	
⑨	Front Door (<i>Without Lock</i>)	Outdoor Unit	463100
⑩	Front Door Hinge Pin		464400
⑪	Front Door	Indoor Unit	463300
⑫	SmartPort® Wiring Harness	6' Wire	ROAMWH
		25' Wire - Shielded	ROAM-SCWH



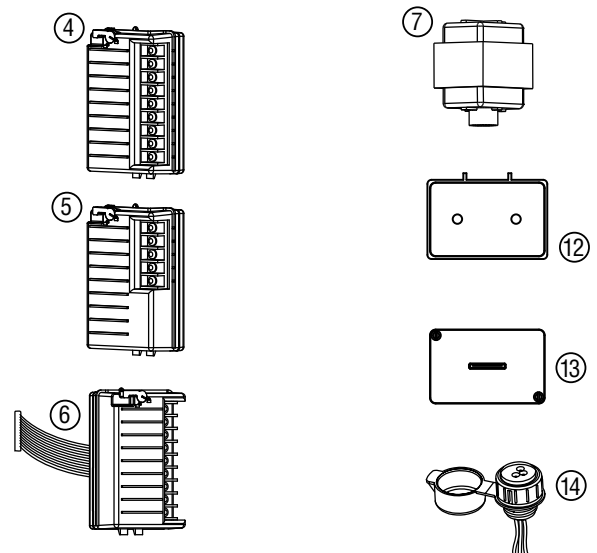
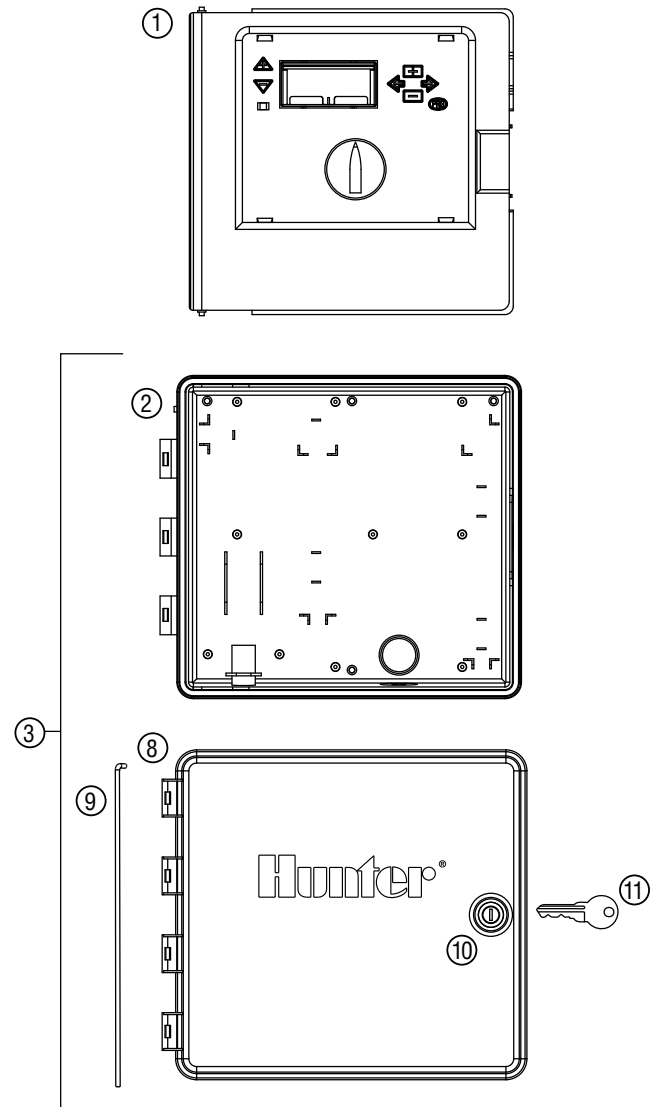
PCC: Indoor and Outdoor Controllers

Item	Description	Catalog No.	
①	Front Panel	821501	
②	Indoor Transformer	120/24VAC (US)	526500
		230/24VAC (European)	545700
		240/24VAC (Australian)	545500
③	Outdoor Transformer	120/24VAC (US)	468000
		230/24VAC (European)	545800
		240/24VAC (Australian)	545600
④	Key Set (2)	122516	
⑤	Lock & Key Set	387300	
⑥	Front Door (Without Lock)	Outdoor Unit	463100
⑦	Front Door Hinge Pin		464400
⑧	Front Door	Indoor Unit	463300
⑨	SmartPort Wiring Harness	6' Wire	ROAMWH
		25' Wire - Shielded	ROAM-SCWH



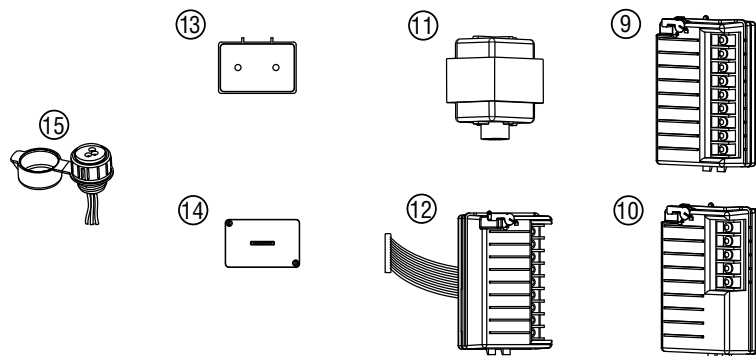
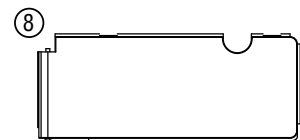
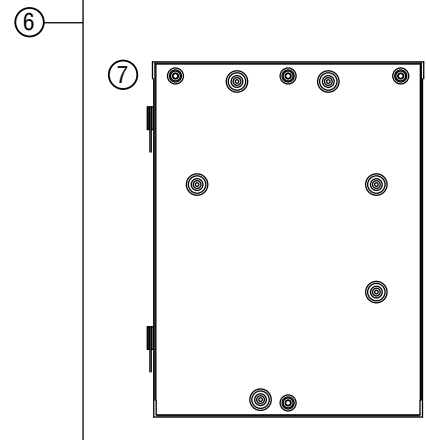
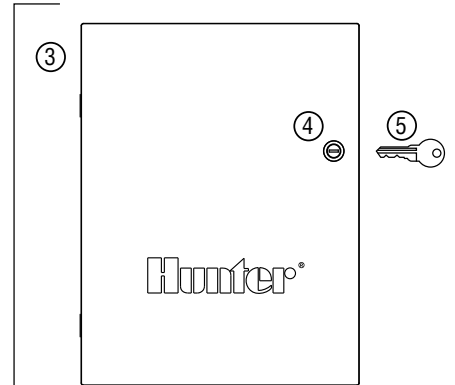
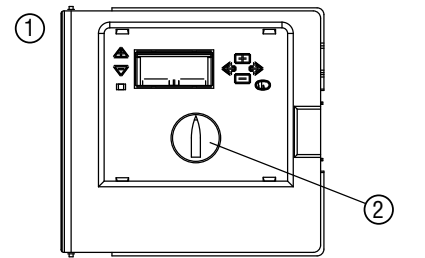
ICC: Institutional/Commercial Controller (ICC-800PL & ICC-801PL) – Plastic Cabinet

Item	Description	Catalog No.	
①	Front Panel	429600	
②	Rear Cabinet	(U.S.)	373200
		(International)	373205
③	Plastic Cabinet Assembly <i>(Includes items 3, 10, 11, 12 & 13)</i>	631500	
④	8-Station Module	ICM800	
⑤	4-Station Module	ICM400	
⑥	Power Module	429800	
⑦	Transformer 110/220 24V 40VA <i>(Dual Voltage)</i>	154628	
⑧	Plastic Front Door without Lock	429700	
⑨	Front Door Hinge Pin	374000	
⑩	Lock and Key Set	387300	
⑪	Key Set (2)	122516	
⑫	Junction Box	374100	
⑬	Junction Box Door	374200	
⑭	SmartPort® Wiring Harness	6' Wire (pack of 50)	ROAMWH
		25' Wire - Shielded	SRR-SCWH
	Station ID Label	English	LIT-245
	Owner's Manual	English	LIT-237
	Hanging Card Kit	English	LIT-334
	International Documentation <i>(Includes Owner's Manual, Door Instructions and Faceplate Label)</i>	Spanish	INT-321
		French	INT-322
		Italian	INT-323
		German	INT-370



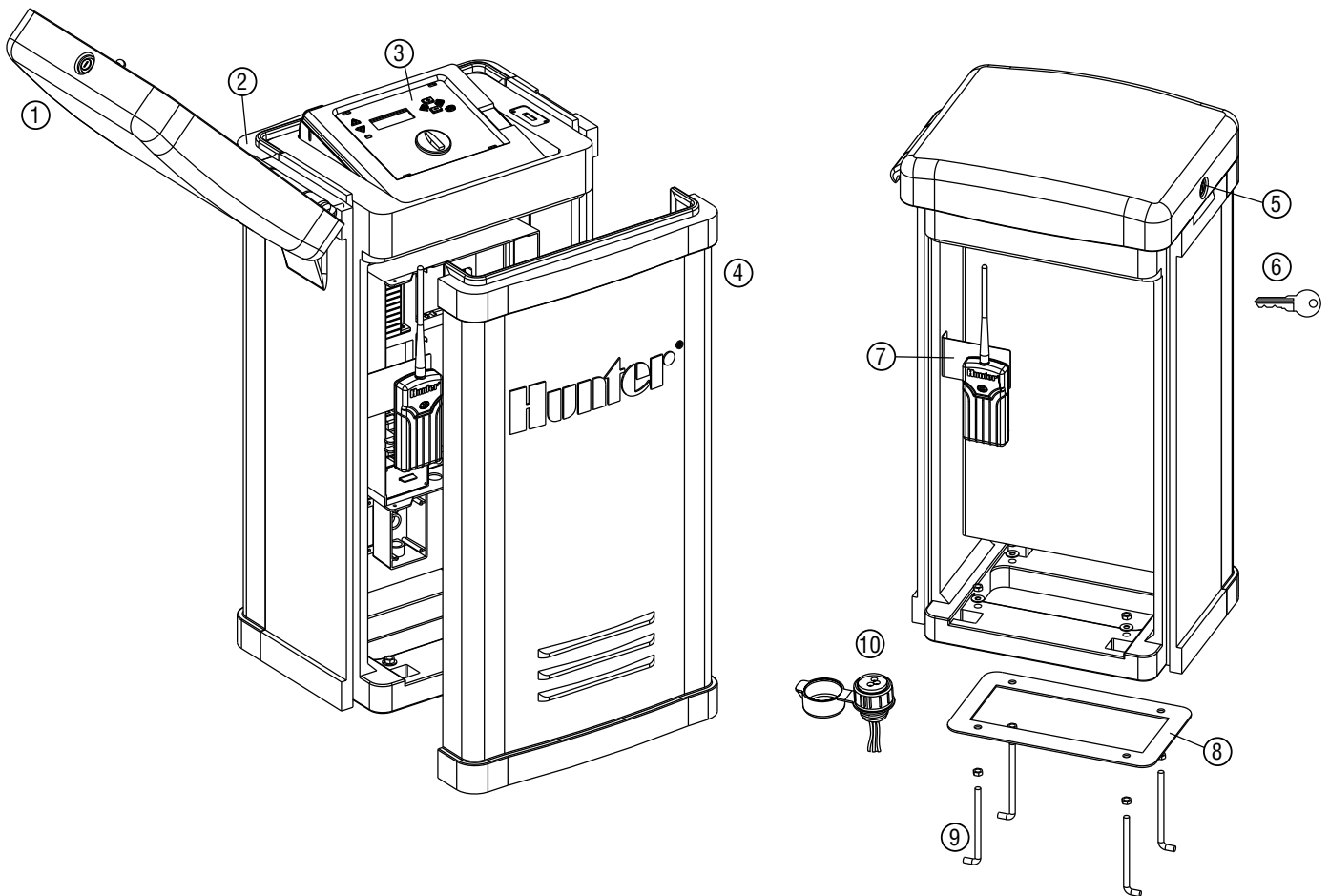
ICC: Institutional/Commercial Controller (ICC-800M & ICC-800SS) – Metal Cabinet

Item	Description	Catalog No.	
①	Front Panel	429600	
②	Dial	375700	
③	Metal Front Door w/o Lock	Powder Coated	384400
		Stainless Steel	384405
④	Lock & Key Set	387300	
⑤	Key Set (2)	122516	
⑥	Metal Cabinet w/ Door & Lock <i>(Includes 3, 4 & 7)</i>	Powder Coated	561700
		Stainless Steel	561800
⑦	Metal Cabinet w/o Door	Powder Coated	384300
		Stainless Steel	384305
⑧	Bottom Door	384200	
⑨	8-Station Module	ICM800	
⑩	4-Station Module	ICM400	
⑪	Transformer 110/220 24V 40VA <i>(Dual Voltage)</i>	154628	
⑫	Power Module	429800	
⑬	Junction Box	374100	
⑭	Junction Box Door	374200	
⑮	SmartPort® Wiring Harness	6' Wire (pack of 50)	ROAMWH
		25' Wire - Shielded	SRR-SCWH
	Inside Door Label	English	LIT-290
	Station ID Label	English	LIT-245
	Owner's Manual	English	LIT-237
	Hanging Door Card	English	LIT-334
	International Documentation <i>(Includes Owner's Manual, Door Instructions, and Faceplate Label)</i>	Spanish	INT-321
		French	INT-322
		Italian	INT-323
		German	INT-370



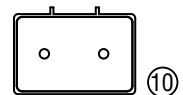
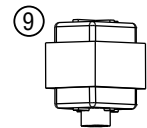
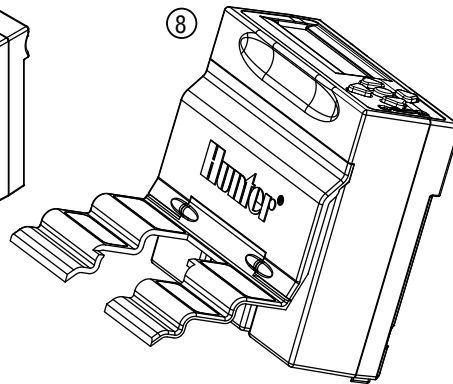
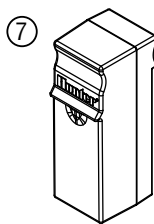
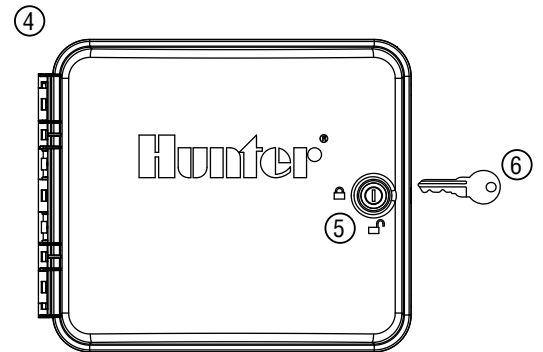
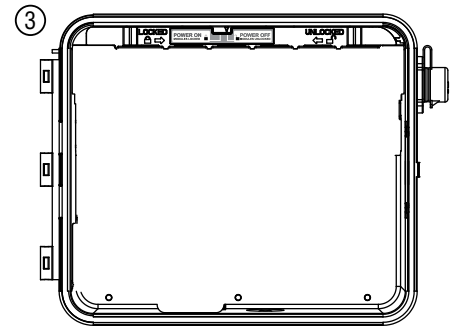
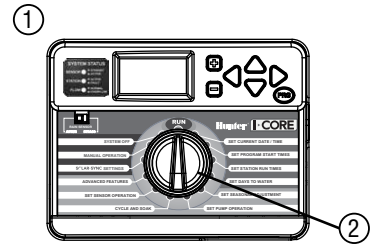
ICC Plastic Pedestal

Item	Description	Catalog No.	
①	Lid	553300	
②	Hinge Pin	558400	
③	ICC Front Panel	429600	
④	Access Door	553200	
⑤	Lock & Key Set	558000	
⑥	Key Set (2)	122516	
⑦	SmartPort® Bracket	576000	
⑧	Mounting Template	558600	
⑨	Mounting Hardware	420200	
⑩	SmartPort Wiring Harness	6' Wire (pack of 50)	ROAMWH
		25' Wire - Shielded	SRR-SCWH
	Ribbon Cable Extension (<i>Not shown</i>)	574600	
	Mounting Kit (<i>Includes 8 & 9</i>)	581700	



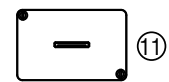
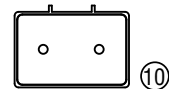
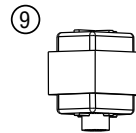
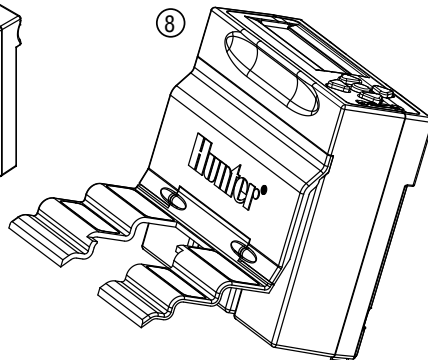
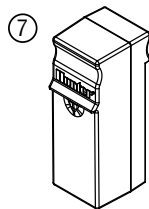
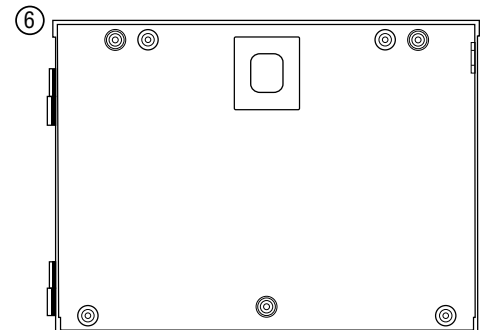
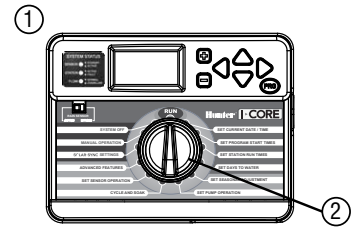
I-Core®: Institutional/Commercial Controller (IC-600PL & IC601PL) – Plastic Cabinet

Item	Description	Catalog No.	
①	Front Panel	124705	
②	Knob	129300	
③	Rear Cabinet	117805	
④	Door Without Lock, Plastic I-Core	131305	
⑤	Lock & Key Set	387300	
⑥	Key Set (2)	122516	
⑦	6-Station Expansion Module	ICM600	
⑧	48 Station DUAL Module	DUAL48M	
⑨	Transformer	154628	
⑩	Junction Box	123800	
⑪	Junction Box Cover	124000	
⑫	SmartPort® Wiring Harness	6' Wire (pack of 50)	ROAMWH
		25' Wire - Shielded	SRR-SCWH
	Power Module (30 station models only)	121405	
	Ribbon Cable, Plastic I-Core	130800	
	I-Core Mounting Template	LIT-548	
	Hanging Door Card	English	LIT-506
	Owners Manual	English	LIT-502
		Spanish	INT-895
		French	INT-894
		Italian	INT-896
		German	INT-898
	International Kit (Includes Owners Manual)	Portuguese	INT-897



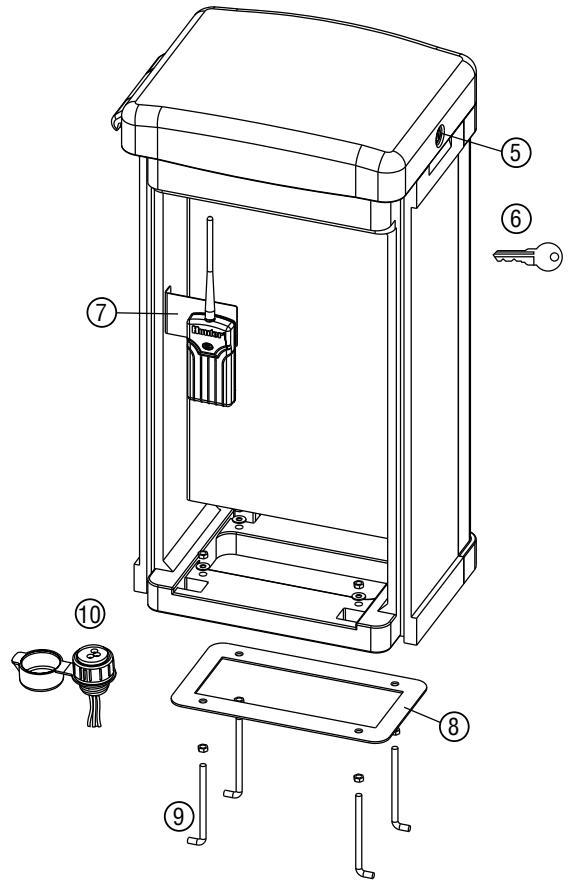
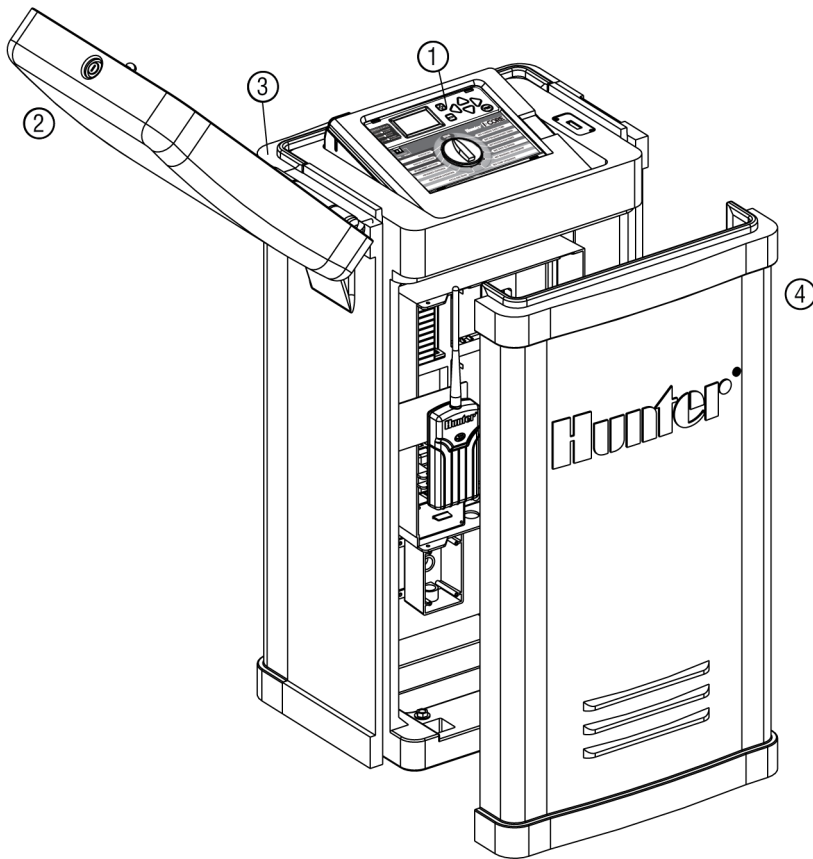
I-Core®: Institutional/Commercial Controller (IC-600M & IC-600SS) – Metal Cabinet

Item	Description	Catalog No.
①	Front Panel	124705
②	Knob	129300
③	Door Without Lock, Metal I-Core	125500
④	Lock & Key set	387300
⑤	Key Set (2)	122516
⑥	Rear Cabinet	118700
⑦	6 Station Expansion Module	ICM600
⑧	48 Station DUAL Module	DUAL48M
⑨	Transformer	154628
⑩	Junction Box	123800
⑪	Junction Box Cover	124000
⑫	SmartPort® Wiring Harness	6' Wire (pack of 50) ROAMWH
		25' Wire - Shielded SRR-SCWH
	Power Module (42 station models only)	141700
	Ribbon Cable, Metal/Stainless I-Core	130810
	I-Core Mounting Template	LIT-548
	Hanging Door Card	English LIT-506
	Owners Manual	English LIT-502
International Kit (Includes Owners Manual)		Spanish INT-895
		French INT-894
		Italian INT-896
		German INT-898
	Portuguese INT-897	



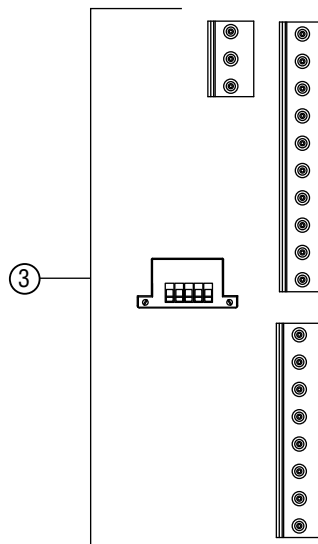
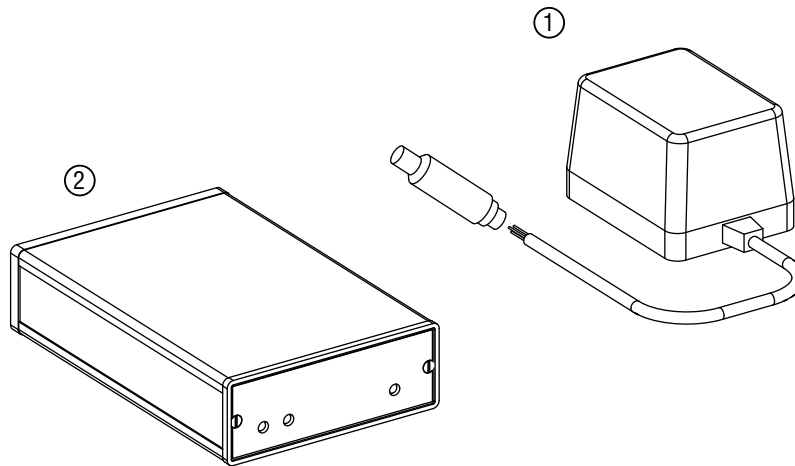
I-Core® Plastic Pedestal

Item	Description	Catalog No.	
①	I-Core Front Panel	12475	
②	Lid	552200	
③	Hinge Pin	558400	
④	Access Door	553200	
⑤	Lock & Key Set	558800	
⑥	Key Set (2)	122516	
⑦	SmartPort® Bracket	576000	
⑧	Mounting Template	558600	
⑨	Mounting Hardware	420200	
⑩	SmartPort Wiring Harness	SRR-SCWH	
	25' Shielded Cable		
	Ribbon Cable - Plastic Ped I-Core		130815
	Mounting Kit		581700
	Owners Manual		English
International Kit (Includes Owners Manual)	Spanish	INT-895	
	French	INT-894	
	Italian	INT-896	
	German	INT-898	
	Portuguese	INT-897	
⑪	Pedestal Junction Box	145415	



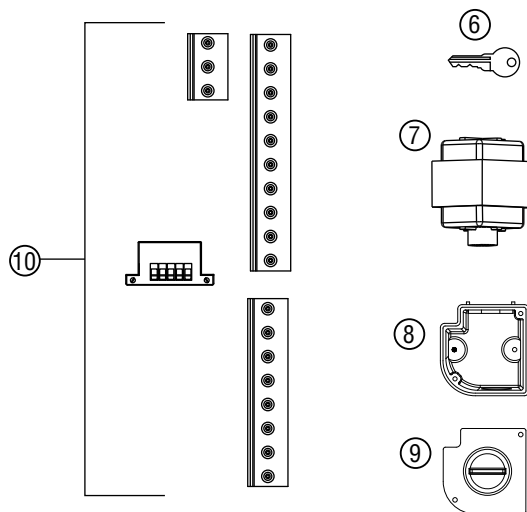
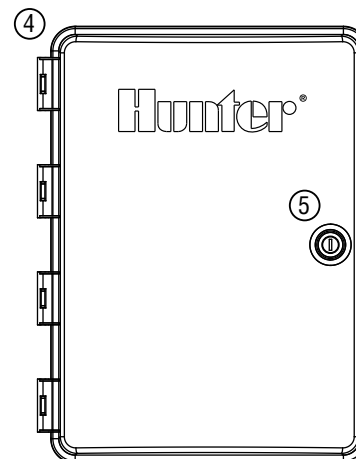
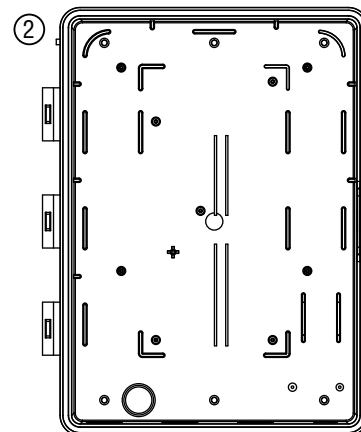
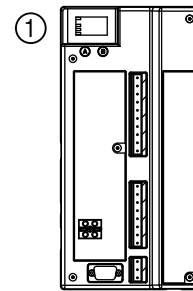
IMMS®-CCC: Irrigation Management and Monitoring

Item	Description	Catalog No.	
①	Transformer Assembly	120/24VAC (U.S.)	622100
		230/24VAC (International)	622105
		230/24VAC (AU/NZ)	622115
②	Central Computer Communications Unit <i>(Includes 1 & 3)</i>	U.S.	IMMS-CCC
		International	IMMS-CCC-E
		AU/NZ	IMMS-CCC-A
③	Terminal Plugs <i>(1 CCC GCBL & 1 Set of Interface plugs)</i>	629800	



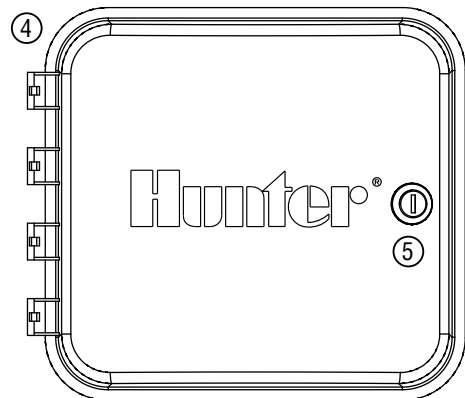
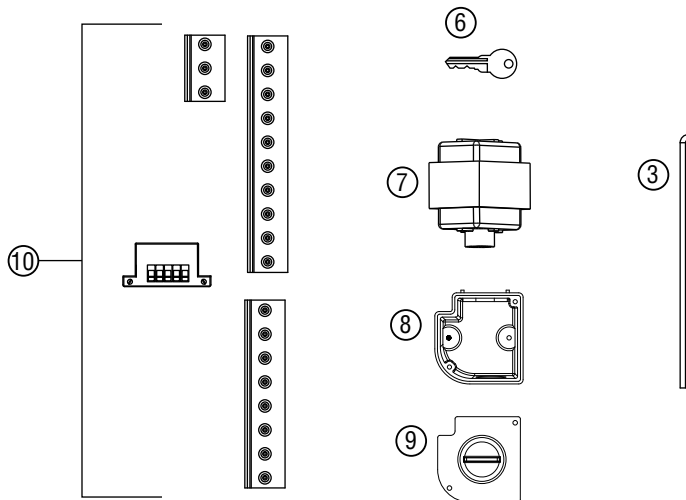
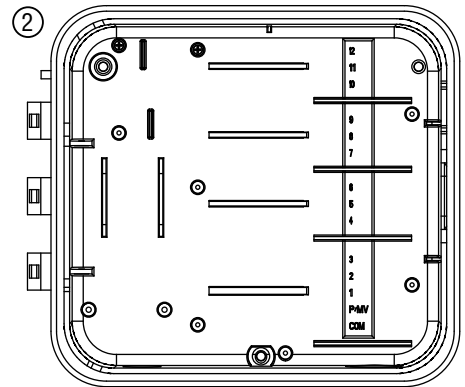
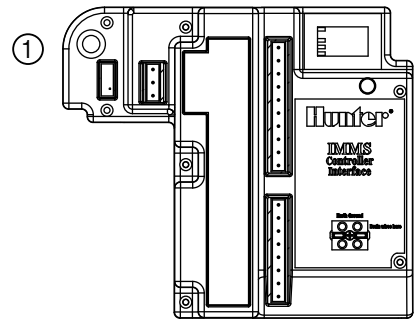
IMMS®-SI: Irrigation Management and Monitoring System

Item	Description	Catalog No.	
①	Electronic Assembly	IMMS-SI-HW (U.S.)	629500
		IMMS-SI-MOD (U.S.)	629600
		IMMS-SI-HW-E (International)	510905
		IMMS-SI-MOD-E (International)	510915
②	Cabinet	U.S.	513000
		International	513010
③	Front Door Hinge Pin	513005	
④	Plastic Front Door	U.S.	513100
		International	513105
⑤	Lock Assembly and Key	387300	
⑥	Key Set (2)	122516	
⑦	Transformer	120/24VAC (U.S.)	468000
		230/24VAC (European)	545600
⑧	Junction Box	464000	
⑨	Junction Box Door	464100	
⑩	Terminal Plugs (All)	629800	



IMMS®-CI: Irrigation Management and Monitoring System

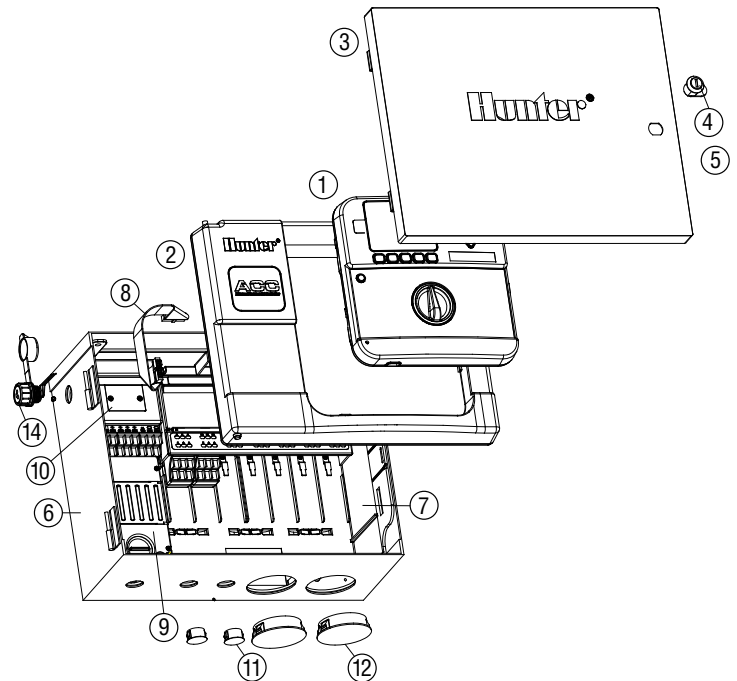
Item	Description		Catalog No.
①	Electronic Assembly	IMMS-CI-HW (U.S.)	629700
		IMMS-CI-HW (International)	629700
②	Cabinet	U.S.	511200
		International	511205
③	Front Door Hinge Pin		464400
④	Plastic Front Door (Without Lock)	U.S.	463100
		International	463105
⑤	Lock Assembly and Key		387300
⑥	Key Set (2)		122516
⑦	Transformer	120/24VAC (U.S.)	468000
		230/24VAC (European)	468005
⑧	Junction Box		464000
⑨	Junction Box Door		464100
⑩	Terminal Plugs (All)		629800



ACC Wall Mount Controllers (ACC1200, ACC99D)

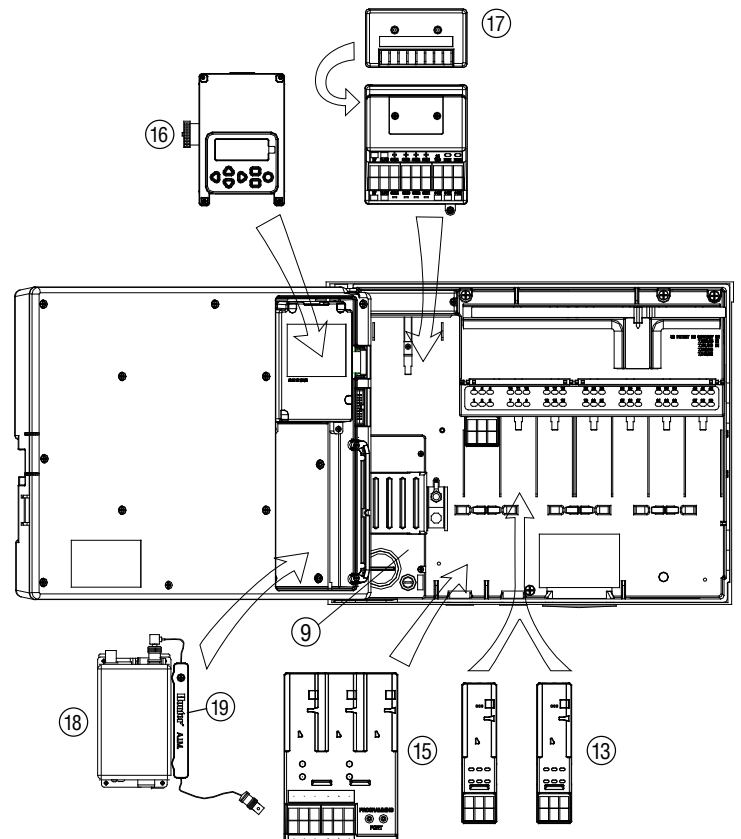
Item	Description	Catalog No.
①	Front Faceplate Face Pack	571500
②	Front Face Pack Door Frame	589000
③	Metal Front Door w/o Lock	585500
④	Lock & Key Set (<i>Not Shown</i>)	387300
⑤	Key Set (2) (<i>Not shown</i>)	122516
⑥	Metal Cabinet w/o Door	585000
⑦	Shell kit, includes metal cabinet, plastic backplane, transformer, no modules	* ACCSHELLKIT
⑧	Door Ribbon Cable (<i>Wall mount only</i>)	585100
⑨	Transformer Assembly	587000
⑩	Master Module	572000
⑪	Small Hole Plug	654400
⑫	Large Hole Plug	654500
⑬	Station Module(s) ACM-Module (<i>Standard</i>)	ACM600
	AGM-Module (<i>Extreme service</i>)	AGM600
⑭	SmartPort® Assembly including Nut	112200
⑮	Decoder Output Module	ADM99

* Replaces part 586005 which is no longer available.



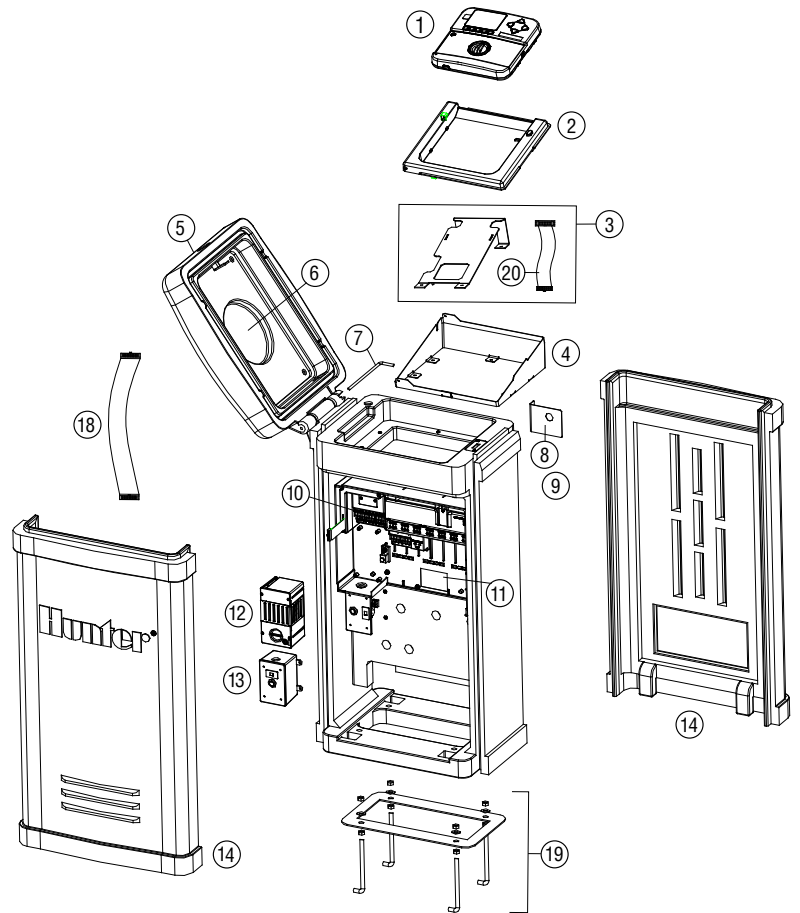
Communications Modules and Parts

Item	Description	Catalog No.
⑯	Com module for dial-up (<i>POTS</i>)	ACC-COM-POTS
⑯	Com module for GSM cell (<i>USA</i>)	ACC-COM-GSM
⑯	Com module for GSM, International	ACC-COM-GSM-E
⑯	Com module for radio and hardwire only	ACC-COM-HWR
⑯	Com module for Ethernet	ACC-COM-LAN
⑯	Com module for GPRS	ACC-COM-GPRS
⑰	Hardwire Interface Module	ACC-HWIM
	Antenna for GSM or GPRS (<i>USA</i>) not shown	666251
	Antenna for GSM or GPRS (<i>Int'l</i>) not shown	666261
⑱	UHF radio (<i>No antenna</i>)	RAD3
⑲	Antenna Isolation Module	AIM-BNC



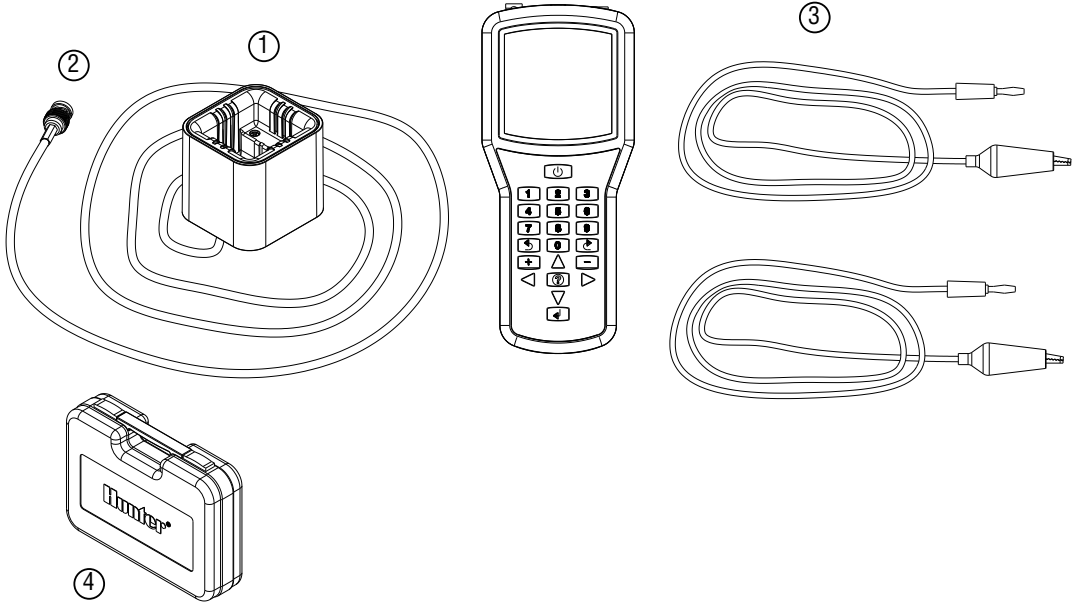
ACC Pedestal Controllers (ACC1200PP, AGC1200PP, AGC99DPP)

Item	Description	Catalog No.
①	Front Faceplate Face Pack (ACC)	571500
	Front Face Pack (AGC)	571505
②	Front Face Pack Door only	620000
③	Plastic Ped Com and Radio Bracket, includ- ing Ribbon Cable	APPBRKT
④	Frame Adapter	145500
⑤	Lid including Lock	553305
⑥	Lid Antenna for Ped, UHF	IMMSANT2
⑦	Lid Hinge Pin	558400
⑧	SmartPort® Bracket	576000
⑨	SmartPort® Wiring Harness	112210
⑩	Master Module	572000
⑪	Decoder Output Module	ADM99
	Station Module(s) ACM-Module (Standard)	ACM600
	AGM-Module (Extreme Service)	AGM600
⑫	Transformer Assembly	587000
⑬	J Box	145410
⑭	Pedestal Door with Screen	553205
⑮	Lock & Key Set (Not shown)	558000
⑯	Key Set (2) (Not shown)	122516
⑰	ACC Ped Inner Panel Cabinet with Transformer	621230
⑱	Ribbon, Inner Controller to Facepack Door	585105
⑲	Mounting Template Kit, includes Template #558600, and Hardware #420200	581700
⑳	Ribbon, Extension for Com Modules in Pedestals	619900
㉑	Mounting Template only	558600
㉒	Mounting Hardware only	420200



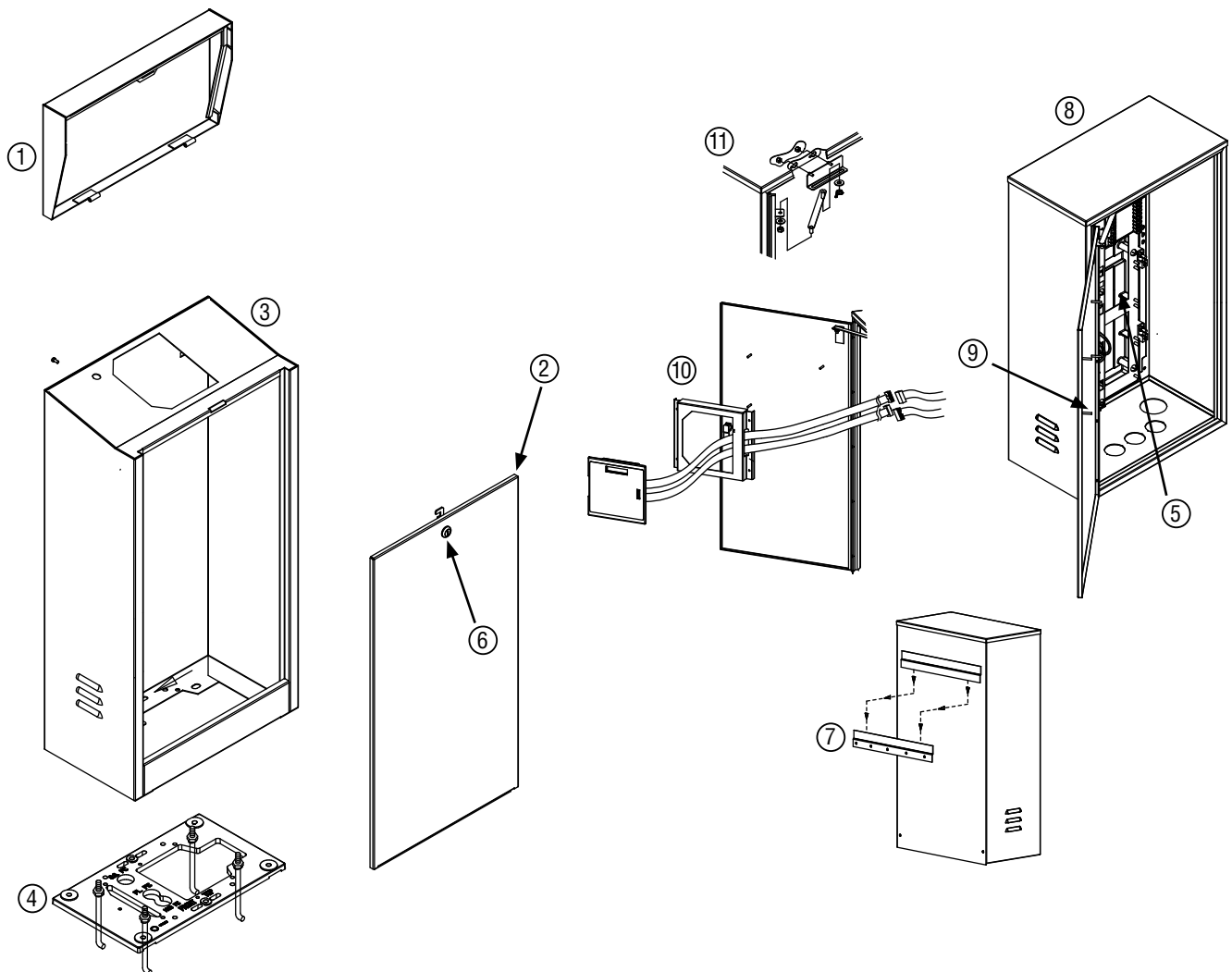
ICD-HP Components

Item	Description	Catalog No.
①	Programming Cup	177600
②	Programming cable 6' (2m) with Connectors	180504
③	Red and Blue 6' (2m) Leads	180508
④	Carrying Case	205800



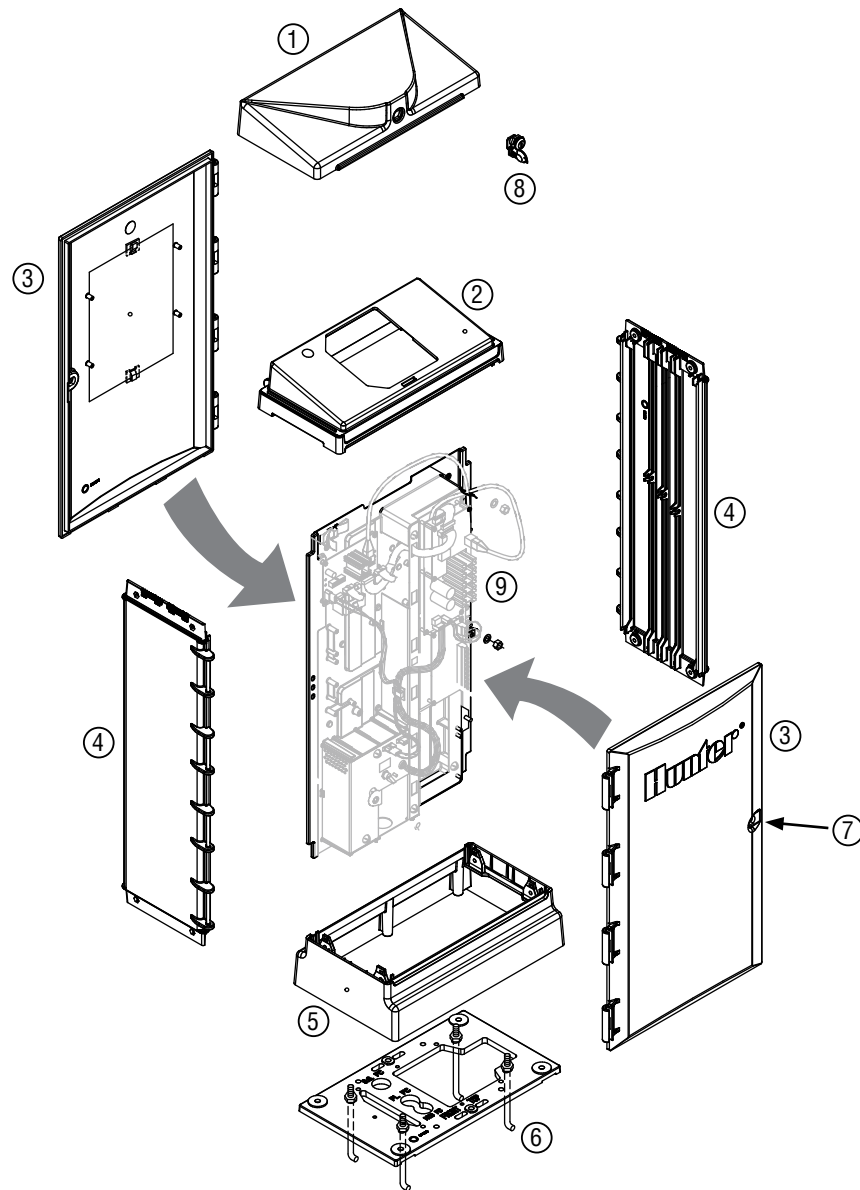
Steel Controller Enclosure Parts (IDSSP, IDSSW)

Item	Description	Catalog No.
①	Lid Kit	FCSLIDKT
②	Replacement Pedestal Door, including lock assembly	FCSDOORKT
③	Complete replacement Standalone Pedestal with back plane, lid, & door (<i>No Components</i>)	FCSPEDKT
④	Mounting template and hardware for S pedestal	TEMPLT2
⑤	Plastic backplane for mounting electronic components (<i>Also rear panel of plastic wall mount</i>)	BACKPLANEKT
⑥	Steel Pedestal Door Lock Kit w/ keys	FCSDLKT
⑦	Wall Controller Mount Kit	WCSMNTKT
⑧	Complete replacement wall cabinet with back plane & door, no components	WCSCABKT
⑨	Wall Mount Door Lock w/ keys	WCSDLKT
⑩	Inner Door Bracket for Facepack	WFPBKT
⑪	Door stop for wall mount door	WCSDSKT



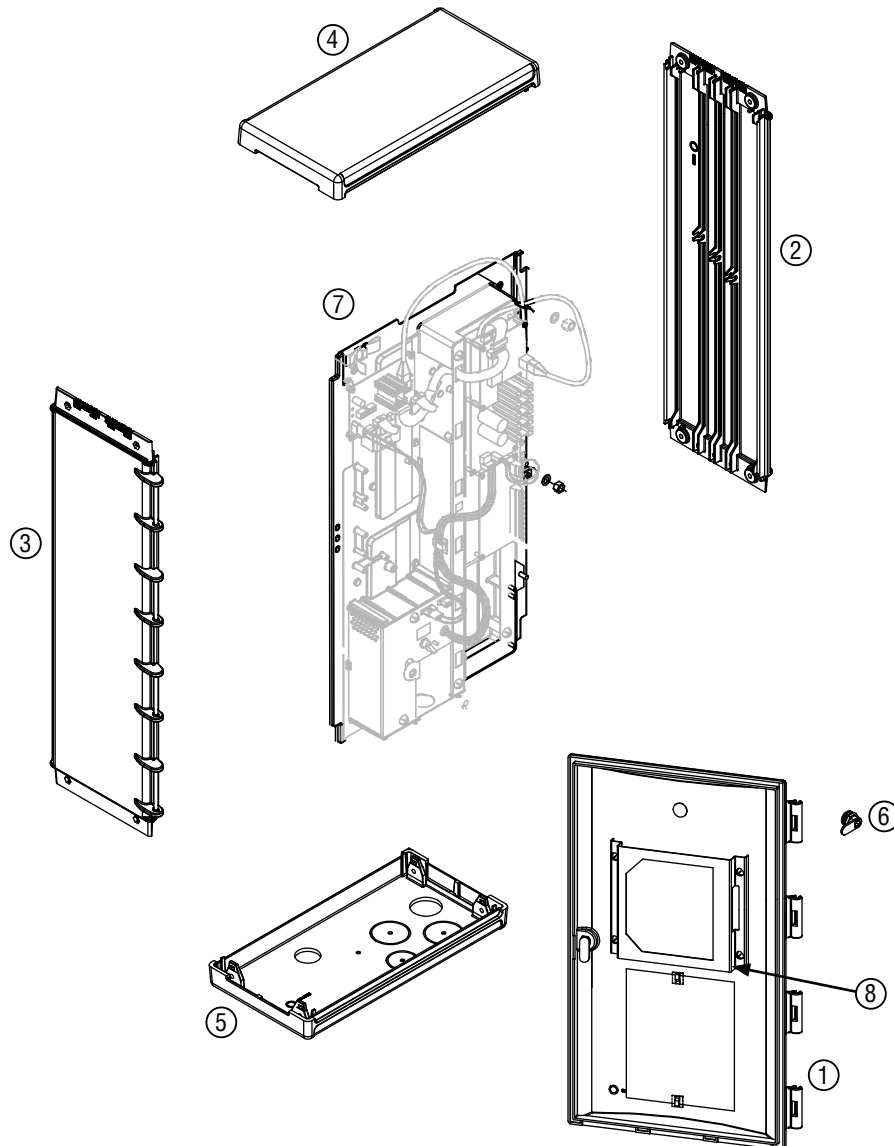
Plastic Pedestal Kits IDS-PP

Item	Description	Catalog No.
①	Lid Kit	FCPLKT
②	Cap Kit	FCPCKT
③	Door Kit (1 per kit)	FCPDKT
④	Side Kit	FCPSKT
⑤	Base Kit	FCPBKT
⑥	Template Kit	TEMPLT2
⑦	Lock Assembly, Door	FCPDLKT
⑧	Lock Assembly, Lid	FCPLLKT
⑨	Plastic backplane for mounting electronic components (Also rear panel of wall mount, includes gasket tape – NO components)	BACKPLANEKT
All	Complete Plastic Pedestal (No components)	PEDP1



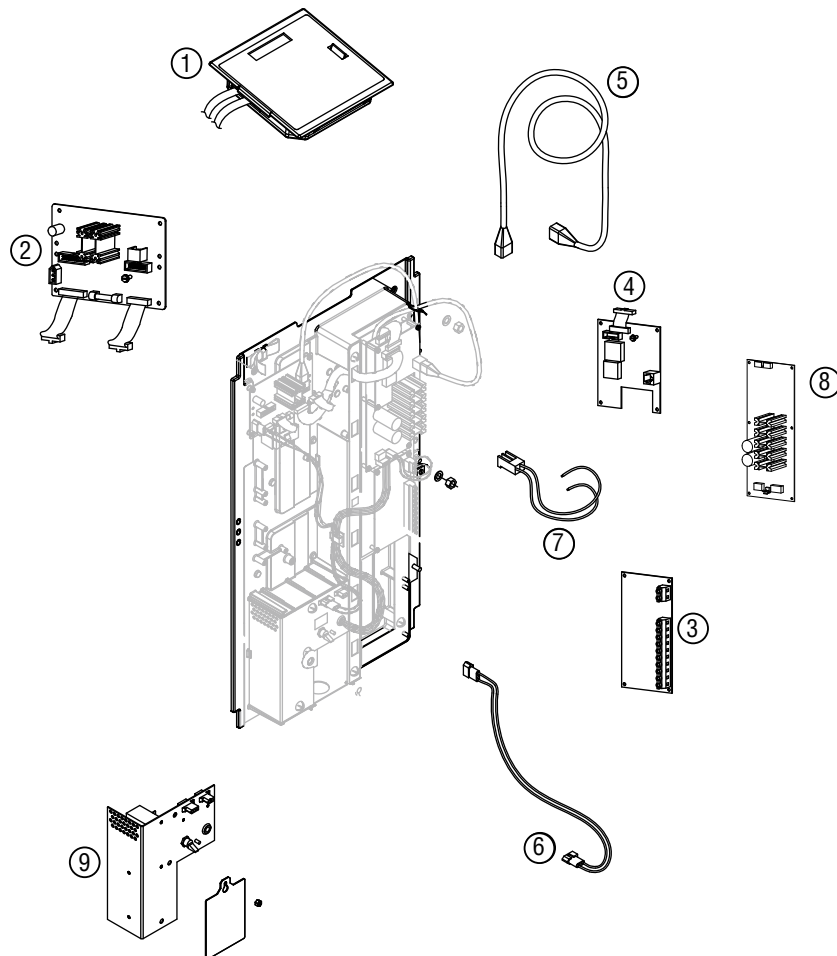
Plastic Wall Enclosure Kits IDS-PW

Item	Description	Catalog No.
①	Wall Mount Door Kit	WCPDKT
②	Wall Mount Right Side Kit (<i>No hinges</i>)	WCPSKT
③	Wall Mount Left Side Kit (<i>With hinges</i>)	FCPSKT
④	Top Kit	WCPTT
⑤	Wall Mount Bottom Kit	WCPBKT
⑥	Lock Assembly, Door	FCPDLKT
⑦	Plastic backplane for mounting electronic components (<i>Also rear panel of wall mount - includes gasket tape, NO components</i>)	BACKPLANEKT
⑧	Inner Door Bracket for facepack	WFPBKT
All	Complete Wall Mount Enclosure (<i>No components</i>)	WALP1



IDS Decoder Controller Components

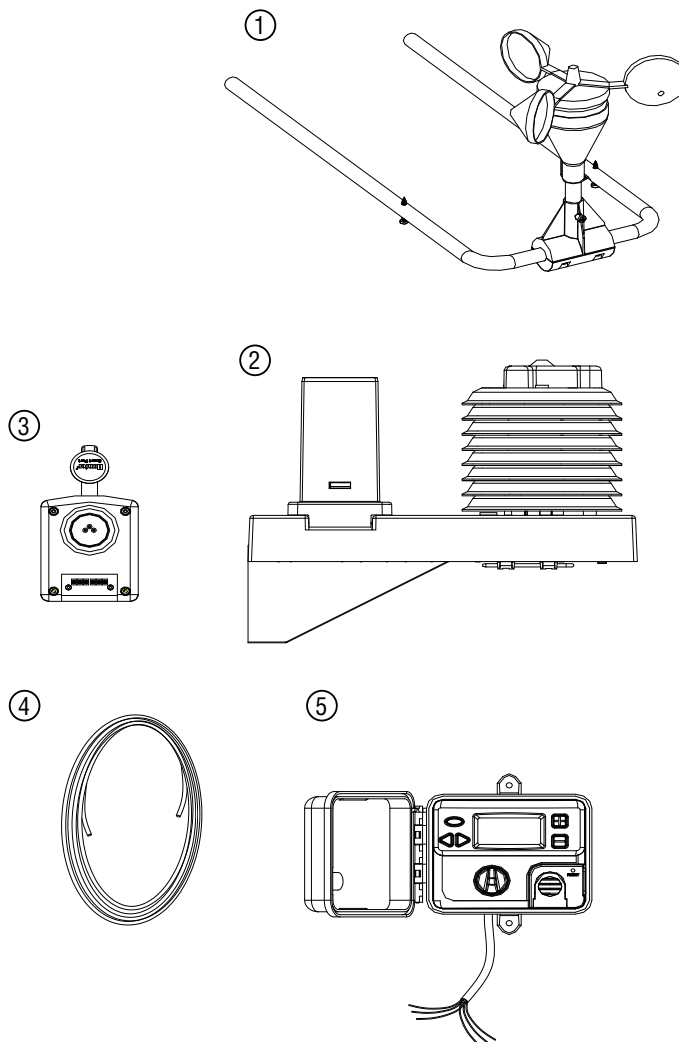
Item	Description	Catalog No.
①	IDS Facepack Kit	IDSKTFP
②	Decoder Power Supply Board Kit	VKTPSB2
③	Decoder Lightning/Output Board	VLPTKT
④	Decoder CPU Board	VCPUKT
⑤	RJ45 Cable	516238
	IDS Instruction Card/Zone Label <i>Inside door (not shown)</i>	562242
⑥	Power Supply Board Wire Harness	516140
	IDS Controller Manual (not shown)	LIT-376
⑦	Transmitter Cable	516143
⑧	Viking Transmitter Board	VTRNSKT
	Decoder Utility Software	
	Replacement cable for DECMAN (not shown)	516177
	Transformer Options	
⑨	Decoder Transformer Kit 110 VAC <i>(Plastic and S Series)</i>	FPCVKTFR2



ET Systems

Item	Description	Catalog No.
①	ET Anemometer	ETWIND
②	ET Sensor Platform	ETSENSOR
③	SmartPort® Adaptor for ACC	ETADAPTOR
④	100' / 30m Direct Burial Wire	206100
⑤	ET Control Module	ETMODULE
	Spare Lithium Battery (<i>Not shown</i>)	622032
	Mounting Bracket Hardware (<i>Not shown</i>)	ETHARDWARE
	Owner's Manual (<i>Not shown</i>)	LIT-399

*Available on Hunter website

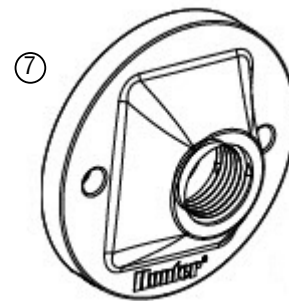
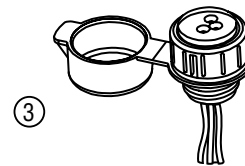
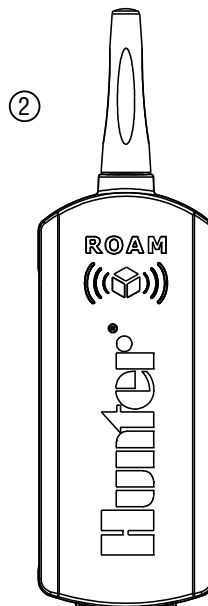
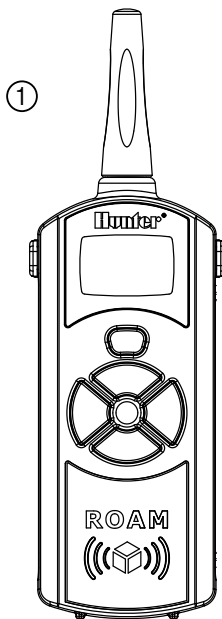


ICR: Remote Control Unit

Item	Description	Catalog No.
①	ICR Transmitter	See ROAM-XL-TR
②	ICR Receiver	See ROAM-XL-R
③	Plastic Carrying Case	See ROAM-XL-CASE

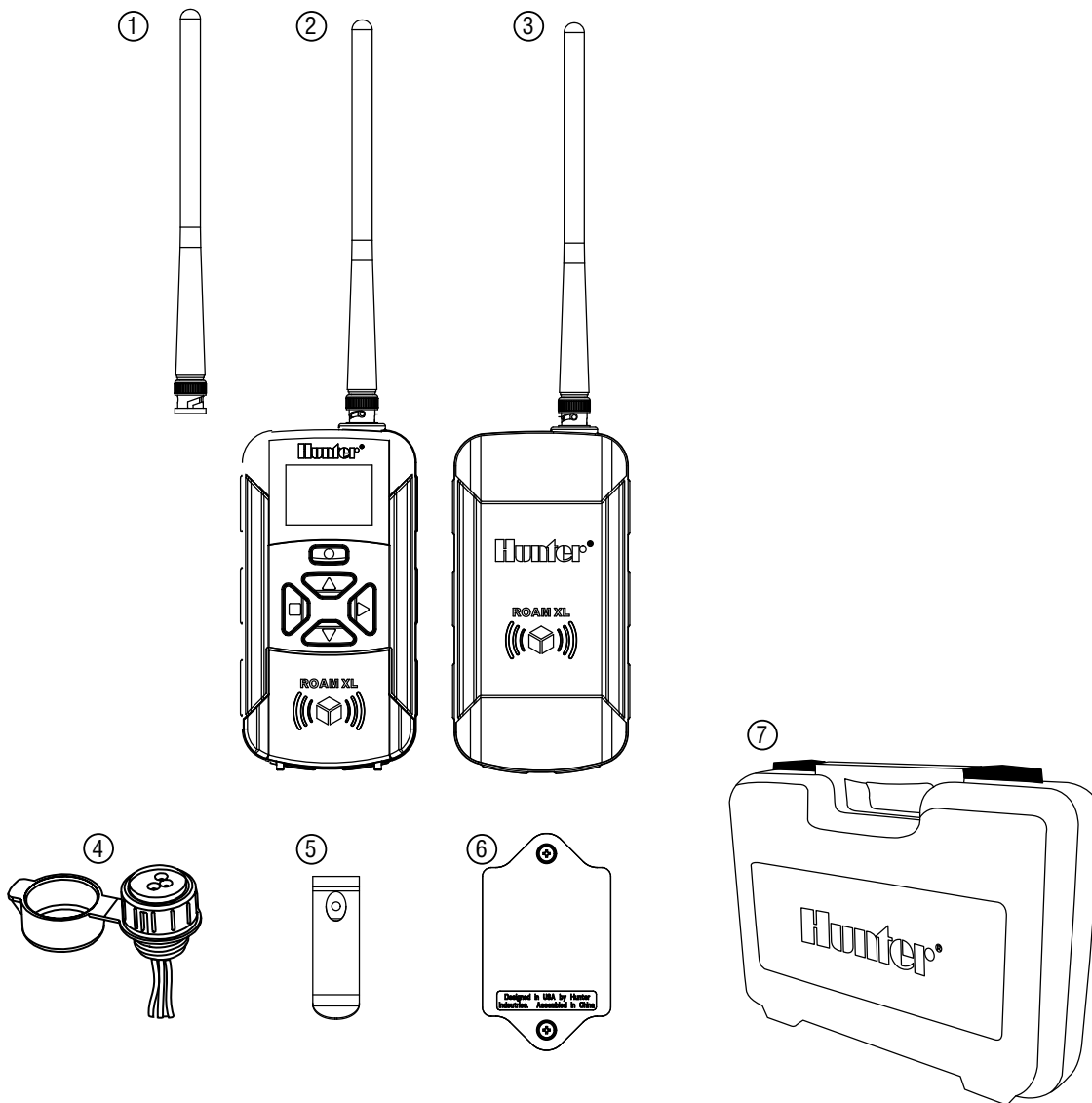
ROAM: Remote Control Unit

Item	Description	Catalog No.	
①	ROAM Transmitter	ROAM TR	
②	ROAM Receiver	ROAM R	
③	SmartPort® Wiring Harness	6' Wire	ROAMWH
		25' Wire-Shielded	ROAM-SCWH
④	SmartPort Wall Mount Bracket	258200	
⑤	Owners Manual (<i>Not shown</i>)	English	LIT-477



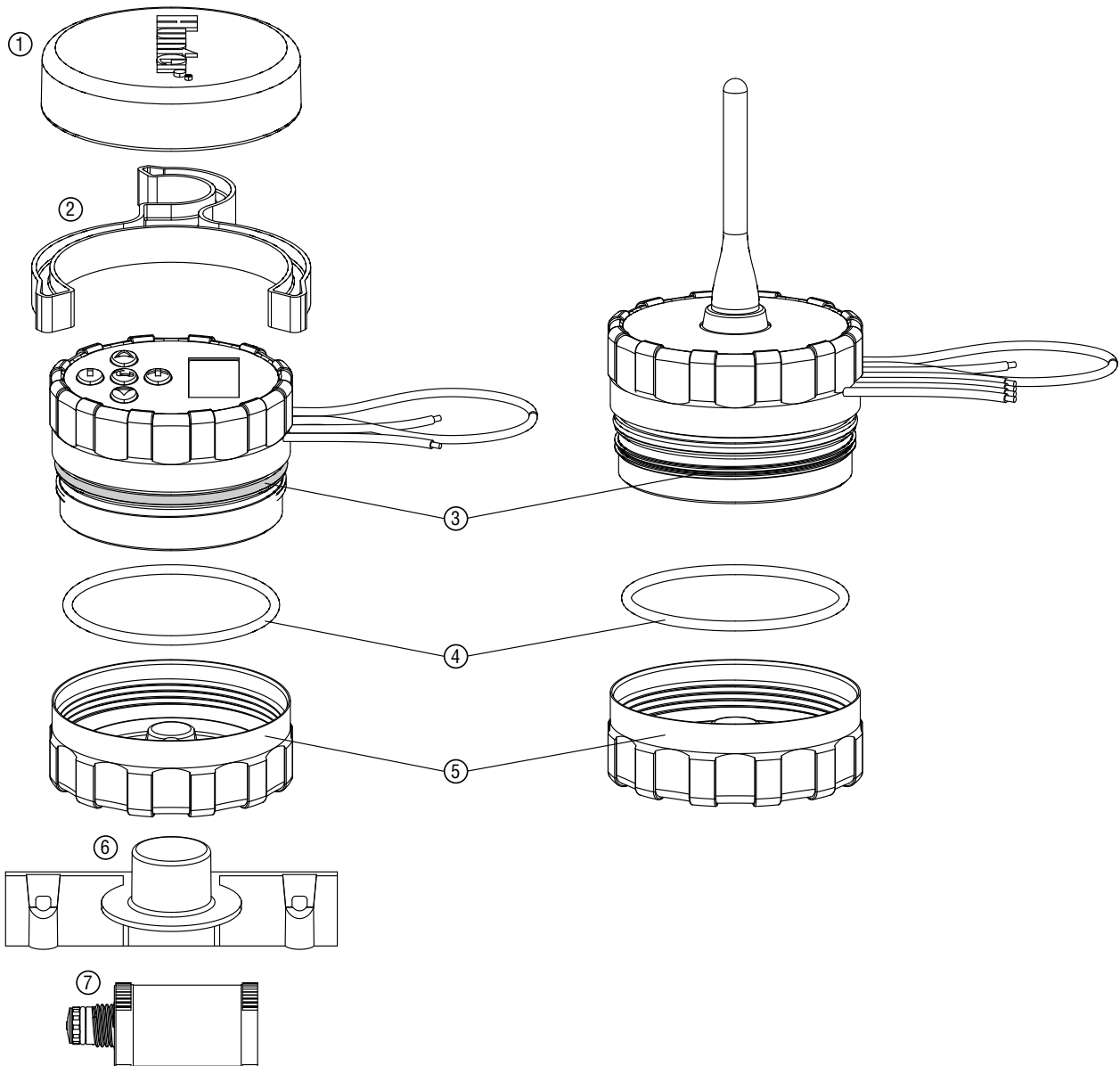
ROAM XL: Remote Control Unit

Item	Description	Catalog No.	
①	ROAM XL Antenna	522701	
②	ROAM XL Transmitter	ROAM-XL-TR	
③	ROAM XL Receiver	ROAM-XL-R	
④	SmartPort® Wiring Harness	6' Wire	ROAMWH
		25' Wire-Shielded	ROAM-SCWH
⑤	Stainless Steel Belt Clip	507300	
⑥	ROAM XL Battery Cover	508900	
⑦	Plastic Carrying Case	ROAM-XL-CASE	



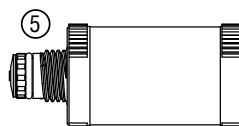
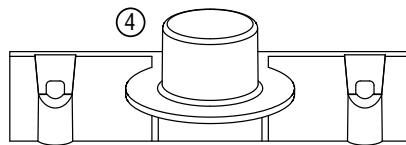
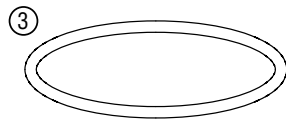
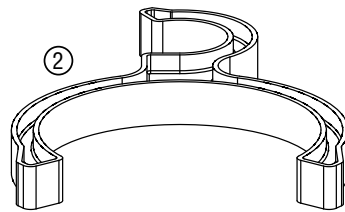
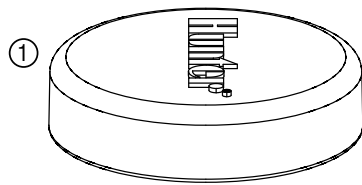
SVC & WVC Controllers

Item	Description	Catalog No.
①	Rubber Cover	489800
②	Mounting Clip	489500
③	O-Ring (Main Body)	491200
④	O-Ring (Cap)	491300
⑤	Cap Assembly	644500
⑥	Universal Mounting Adapter	488800
⑦	DC Latching Solenoid	458200
	SVC Owner's Manual (not shown) English, Spanish, French, Italian, German, Portuguese	LIT382
	WVC Owner's Manual (not shown) English	LIT-335



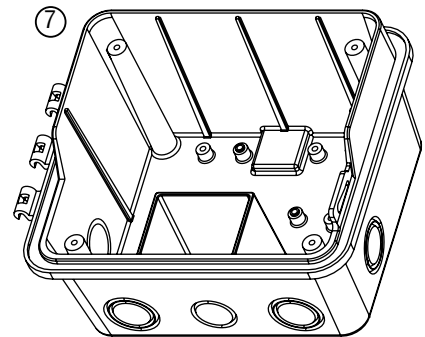
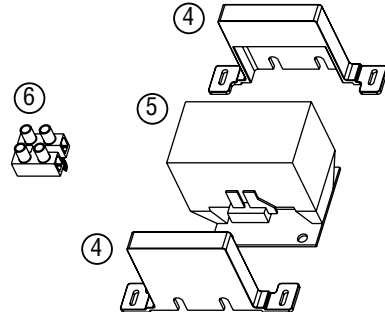
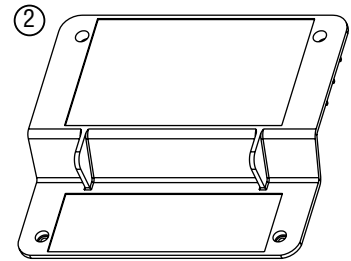
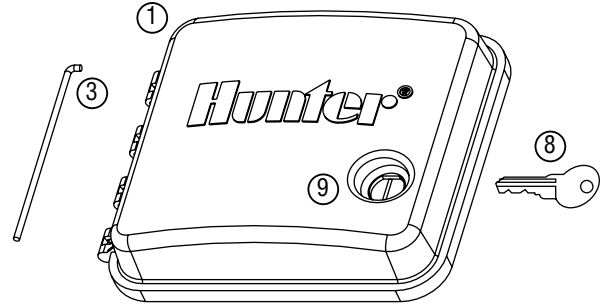
NODE Controllers

Item	Description	Catalog No.
①	Rubber Cover	297100
②	Mounting Clip	489500
③	O-Ring	252105
④	Universal Mounting Adapter	488800
⑤	DC Latching Solenoid	458200
⑥	Solar Panel Charging Unit for Node	517500
⑦	Solar Panel Replacement Assembly	517300



PSR-22, PSR-52, PSR-53: Pump Start Relays

Item	Description	Catalog No.	
①	Door without Lock	468800	
②	Cover Plate w/ Sticker	PSR-22	525900
		PSR-52	526000
		PSR-53	526100
③	Door Hinge Pin	469000	
④	Contact Support Brackets (<i>PSR-22 Only</i>)	501500	
⑤	Contactors	PSR-22	469201
		PSR-52	469105
		PSR-53	469110
⑥	Grounding Block	501600	
⑦	Cabinet	468700	
⑧	Key Set (2)	122516	
⑨	Lock & Key Set	387300	



PSR-B: Pump Start Relay Booster

Item	Description	Catalog No.
①	Cabinet	527100
②	Transformer (<i>Dual Voltage 110/220 24V 40VA</i>)	154628
③	Heavy Duty DPDT Relay	REL2
④	Door Hinge Pin	429200
⑤	Front Door	428000
⑥	Lock and Key Set	387300
⑦	Key Set (2)	122516

