

**Hunter**<sup>®</sup>  
THE IRRIGATION INNOVATORS

REPLACEMENT PARTS

# Ersatzteile 2012

EFFECTIVE NOVEMBER 2011



ROTORS SPRAYS MP ROTATOR VALVES CONTROLLERS SENSORS CENTRAL CONTROLS MICRO

# TABLE OF CONTENTS

## Rotors

PGJ-00: Gear-Driven Sprinkler .....	1
PGJ-04, 06, 12: Gear-Driven Sprinklers .....	2
PGM-00: Gear-Driven Sprinkler .....	3
SRM-04, PGM-04, 06, 12: Gear-Driven Sprinklers .....	4
PGS: Gear-Driven Sprinklers .....	5
PGP®: Gear-Driven Sprinklers .....	6
PGP-ATR: Gear-Driven Sprinklers .....	7
PGH: Gear-Driven Sprinklers .....	8
PGP-00: Gear-Driven Sprinklers .....	9
PGP-04 Ultra, PGP-12CV Ultra: Gear-Driven Sprinklers .....	10
I-20-00 Ultra: Gear-Driven Sprinklers .....	11
I-20-04, 06, 12 Ultra: Gear-Driven Sprinklers .....	12
I-25-04, 06 Ultra: Gear-Driven Sprinklers .....	13
I-35: Gear-Driven Sprinklers .....	14
I-40-04, 06 Ultra: Gear-Driven Sprinklers .....	15
I-60: Gear-Driven Sprinkler .....	16
I-90: Gear-Driven Sprinkler .....	17
ST-90: Gear-Driven Sprinkler .....	18
STG-900: Gear-Driven Sprinkler .....	19

## Sprays

PSU-02, 04, 06: PS Ultra Spray Sprinklers .....	20
PROS-02, 03, 04, 06, 12: Pro-Spray Sprinklers .....	21
PRS30-04, 06, 12: Pro-Spray Pressure Regulated Spray Bodies .....	22
PRS40-04CV, 06CV, 12CV: Pro-Spray Pressure Regulated Spray Bodies .....	23

## Valves

SRV: Plastic Valve .....	24
AVB: Plastic Valve .....	25
PGV-ASV: Plastic Valve (6-Bolt Bonnet Design) .....	26
PRO-ASV: Plastic Valve .....	27
PGV-100G/101G: Plastic Valves .....	28
PGV Jar-Top: Plastic Valve .....	29
PGV-100A/101A: Plastic Valves .....	30
PGV-151G, 201G: Plastic Valves .....	31
HPV: Plastic Valve .....	32
ICV-101G, 151G & 201G: Plastic Valves .....	33
ICV-301: Plastic Valve .....	34
IBV-101G, 151G & 201G : Brass Valves .....	35
IBV-301G: Brass Valves .....	36
HBV: Brass Valve .....	37–38
HQ3RC: Quick Coupler Valve .....	39
HQ33RC, HQ33LRC, HQ33LRCR: Quick Coupler Valve .....	40
HQ44RC, HQ44LRC, HQ44LRCR: Quick Coupler Valve .....	41

HQ44RCAW, HQ44LRCAW, HQ44LRCAWR: Quick Coupler Valve .....	42
HQ5RC, HQ5LRC, HQ5LRRC: Quick Coupler Valve.. .....	43
ICZ-101: Drip Control Zone Kit.. .....	44
PCZ-101: Drip Control Zone Kit. ....	45
ACZ-075: Drip Control Zone Kit .....	46

## Controllers

XC Controller: Residential Controller.. .....	47
XC Hybrid Controller: Residential Controller (Battery Operated) .. .....	48
SRC Plus: Residential/Light Commercial Controller.. .....	49
Pro-C: Indoor (PC-300i) & Outdoor (PC-300) Controllers. ....	50
PCC: Indoor and Outdoor Controllers. ....	51
ICC: Institutional/Commercial Controller (ICC-800PL & ICC-801PL) - Plastic Cabinet .. .....	52
ICC: Institutional/Commercial Controller (ICC-800M & 800SS) - Metal Cabinet .. .....	53
ICC Plastic Pedestal .. .....	54
I-Core: Institutional/Commercial Controller (IC-600PL & IC601PL) .. .....	55
I-Core: Institutional/Commercial Controller (IC-800M & IC-800SS) .. .....	56
I-Core Plastic Pedestal.. .....	57
IMMS-CCC: Irrigation Management and Monitoring System™ .. .....	58
IMMS-SI: Irrigation Management and Monitoring System™ .. .....	59
IMMS-CI: Irrigation Management and Monitoring System™ .. .....	60
ACC Wall Mount Controllers (ACC1200, ACC99D) .. .....	61
ACC Pedestal Controllers (ACC1200PP, AGC1200PP, AGC99DPP) .. .....	62
ICD-HP Components .. .....	63
Steel Controller Enclosure Parts (IDSSP, IDSSW) .. .....	64
Plastic Pedestal Kits IDS-PP .. .....	65
Plastic Wall Enclosure Kits IDS-PW. ....	66
IDS Decoder Controller Components.. .....	67
ET Systems .. .....	68
ICR: Remote Control Unit. ....	69
ROAM: Remote Control Unit.. .....	70
SVC & WVC Controllers .. .....	71
NODE. ....	72
PSR-22, PSR-52, PSR-53: Pump Start Relays. ....	73
PSR-B: Pump Start Relay Booster.. .....	74

## Sensors

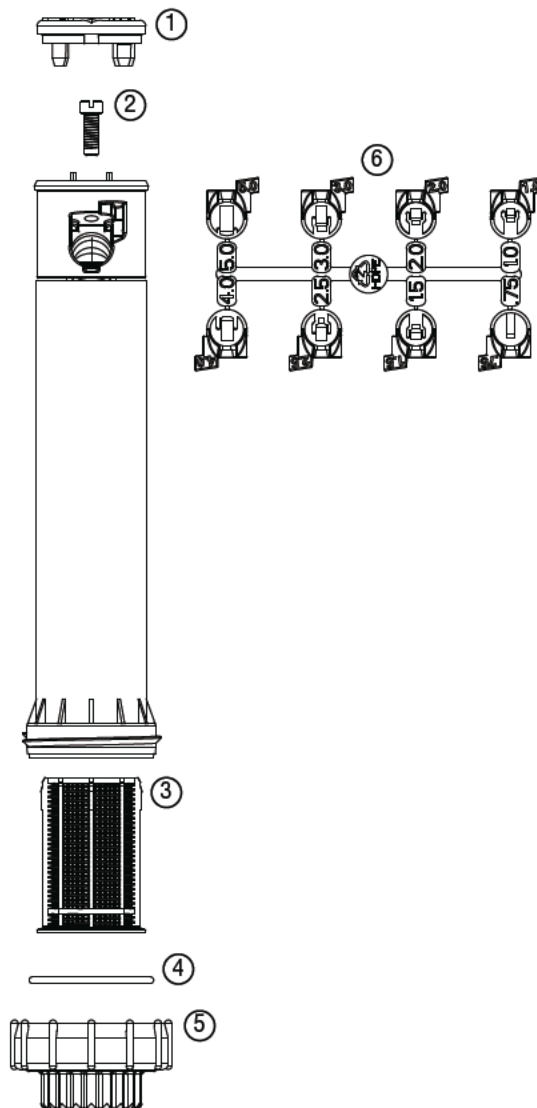
Mini-Click®: Rain Sensor .. .....	75
WRC & WRFC: Wireless Rain Sensors .. .....	76
Rain-Click™: Rain Sensor .. .....	77
Solar Sync and Wireless Solar Sync Sensors .. .....	78

## Miscellaneous

Misc. Accessories .. .....	79–80
----------------------------	-------

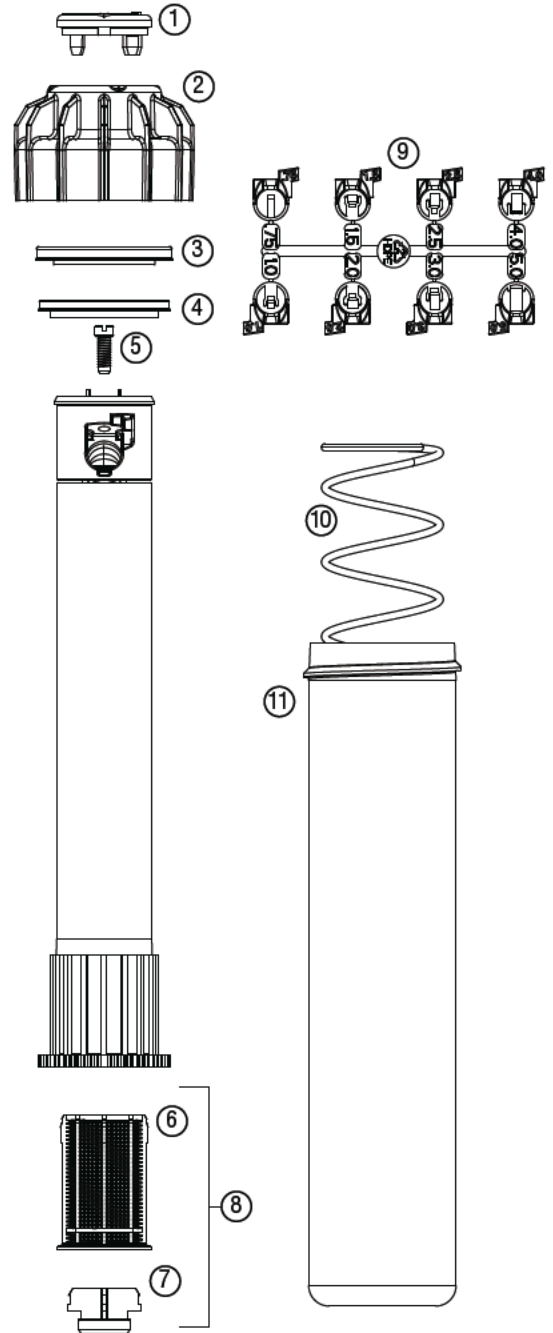
# PGJ-00: Gear-Driven Sprinkler

Item	Description	Catalog No.	
①	Rubber Cover	Black	537800
		Purple	537810
②	Nozzle Retention Screw	537900	
③	Screen	272000	
④	O-ring	464500	
⑤	Shrub Head Base	372800	
⑥	Nozzle Rack (with 8 nozzles)	538700	



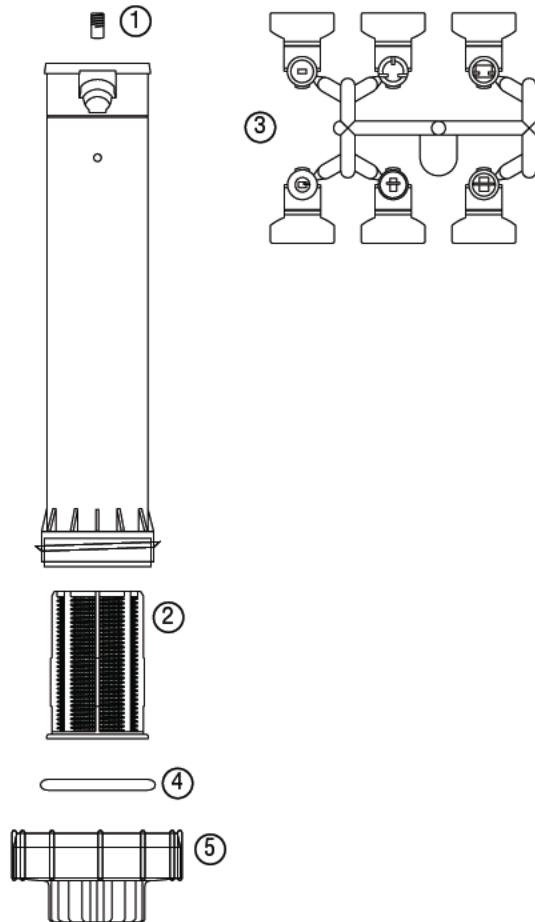
## PGJ-04, 06, 12: Gear-Driven Sprinklers

Item	Description	Catalog No.	
①	Rubber Cover	Black	537800
		Black with Check Valve ID	537805
		Purple with Check Valve ID	537810
②	Body Cap	537400	
③	Riser Seal	538100	
④	Spring Seat	326500	
⑤	Nozzle Retention Screw	537900	
⑥	Screen	272000	
⑦	Check Valve ( <i>Bag of 25</i> )	462078	
⑧	Screen/Check Valve Assembly	302500	
⑨	Nozzle Rack ( <i>w/ 8 nozzles</i> )	538700	
⑩	Retraction Spring	4"	272705
		6"	272710
		12"	272715
⑪	Body	4"	537300
		6"	538400
		12"	538500



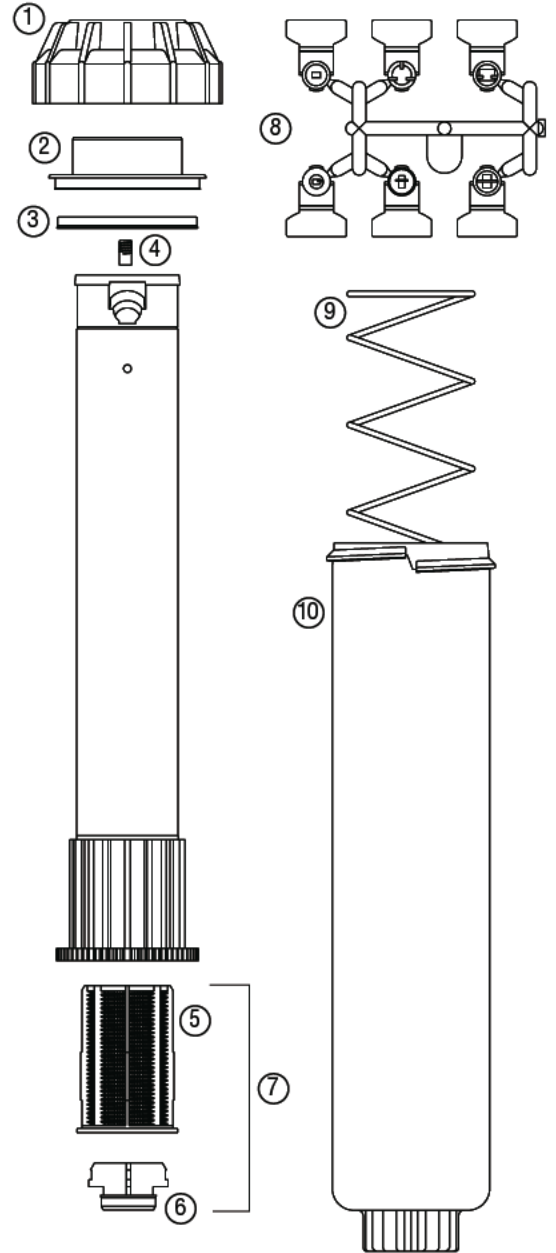
## PGM-00: Gear-Driven Sprinkler

Item	Description	Catalog No.
①	Nozzle Retention Screw (Bag of 25)	463262
②	Screen (White)	272000
③	Nozzle Rack (w/ 0.50, 0.75, 1.0, 1.5, 2.0, 3.0)	327000
④	O-ring	464500
⑤	Shrub Head Base	372800



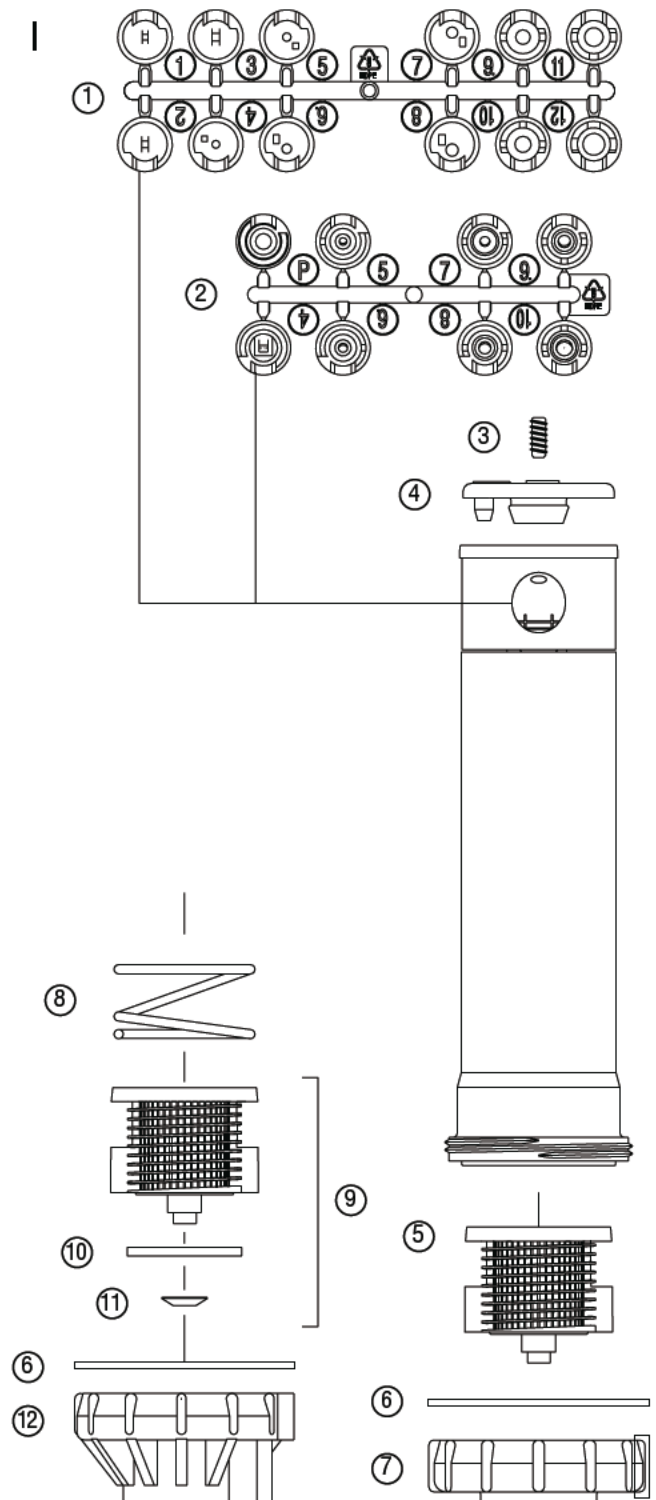
# SRM-04, PGM-04, 06, 12: Gear-Driven Sprinklers

Item	Description	Catalog No.	
①	Body Cap	270700	
②	Riser Seal	326400	
③	Spring Seat	326500	
④	Nozzle Retention Screw (Bag of 25)	463262	
⑤	Screen (White)	272000	
⑥	Check Valve (Bag of 25)	462078	
⑦	Screen/Check Valve Assembly	302500	
⑧	Nozzle Rack (w/ 0.50, 0.75, 1.0, 1.5, 2.0, 3.0)	327000	
⑨	Retraction Spring	4"	272705
		6"	272710
		12"	272715
⑩	Body	4"	271100



# PGS: Gear-Driven Sprinkler (for models with date codes prior to March 2009)

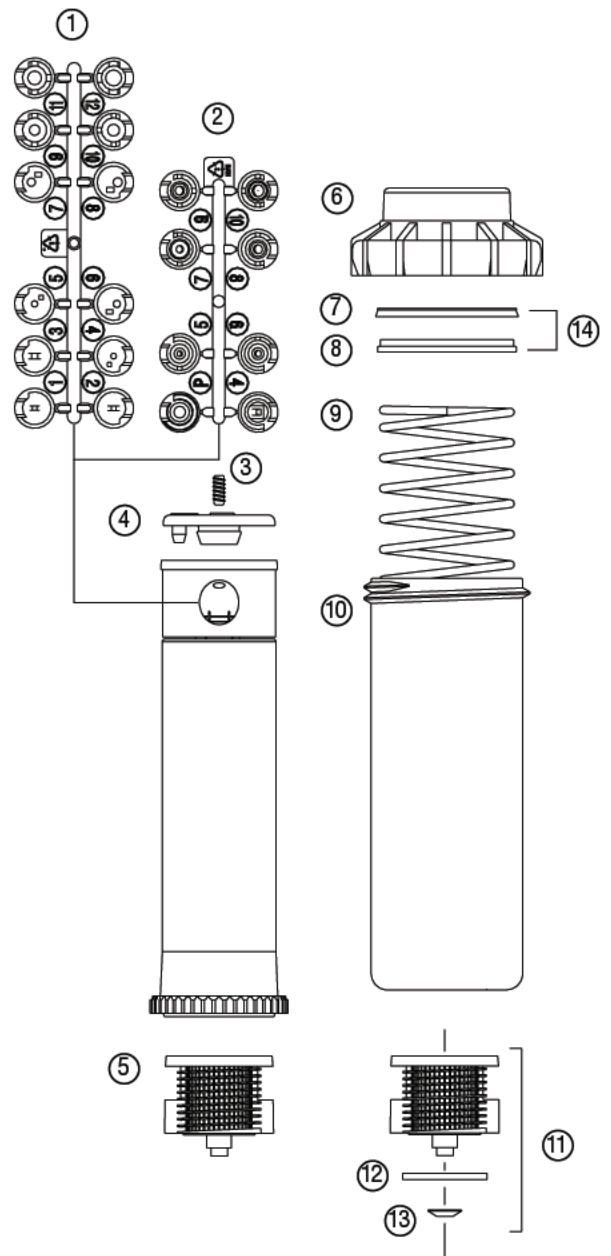
Item	Description	Catalog No.
①	Standard Nozzle Set (12) 25° Trajectory	130900
②	Low Angle Nozzle Set (7) 13° Trajectory	233200
③	Set Screw	120300
④	Protective Rubber Cover ( <i>Fits Units Manufactured After 2/93</i> )	
	Black (ADJ)	269400
⑤	Standard Filter Screen ( <i>Black</i> )	102600
⑥	O-Ring	170600
⑦	Standard Shrub Head Base	106900
<b>Options</b>		
⑧	Check Valve Spring	235000
⑨	Filter Screen/Check Valve Sub Assembly	142300
⑩	Check Valve Seal	101400
⑪	Retainer Clip	204900
⑫	Shrub Head Base for Check Valve Use	234900





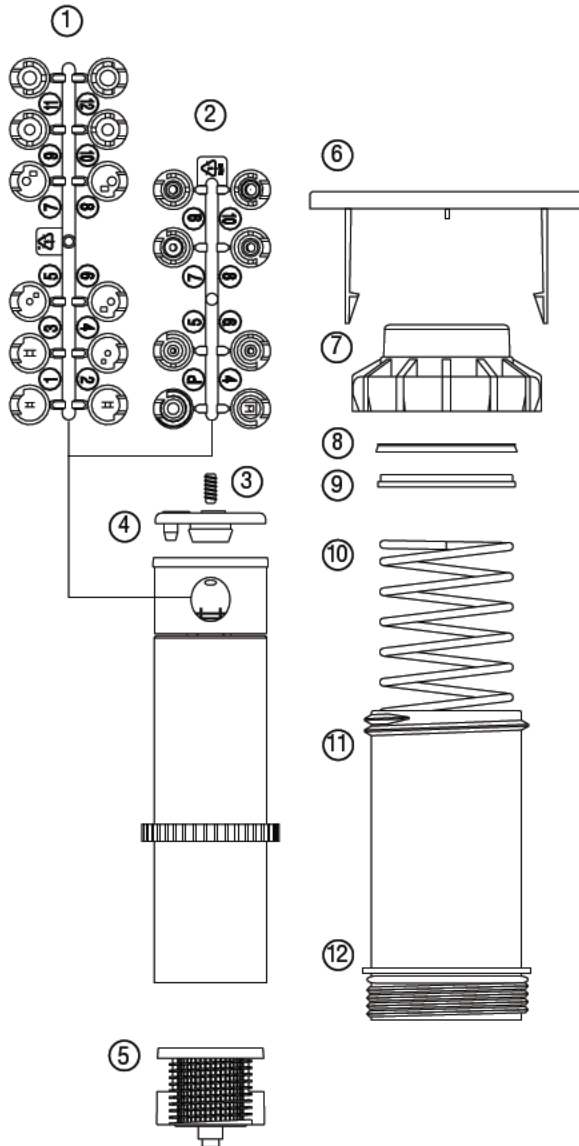
# PGP®: Gear-Driven Sprinkler

Item	Description	Catalog No.
①	Standard Nozzle Set (12) 25° Trajectory	130900
②	Low Angle Nozzle Set (7) 13° Trajectory	233200
③	Set Screw	120300
④	Protective Rubber Cover <i>(Fits Units Manufactured After 2/93)</i>	
	Black (ADJ)	269400
⑤	Standard Filter Screen <i>(Black)</i>	102600
⑥	Body Cap	103700
⑦	Riser Seal	181500
⑧	Spring Seat	189900
⑨	Retraction Spring ADJ	104000
⑩	Pop-Up Body	100200
⑪	Filter Screen/Check Valve Sub-Assembly	142300
⑫	Check Valve Seal	101400
⑬	Retainer Clip	204900
⑭	Seal Replacement Kit <i>(Includes Parts 8 &amp; 9)</i>	253400



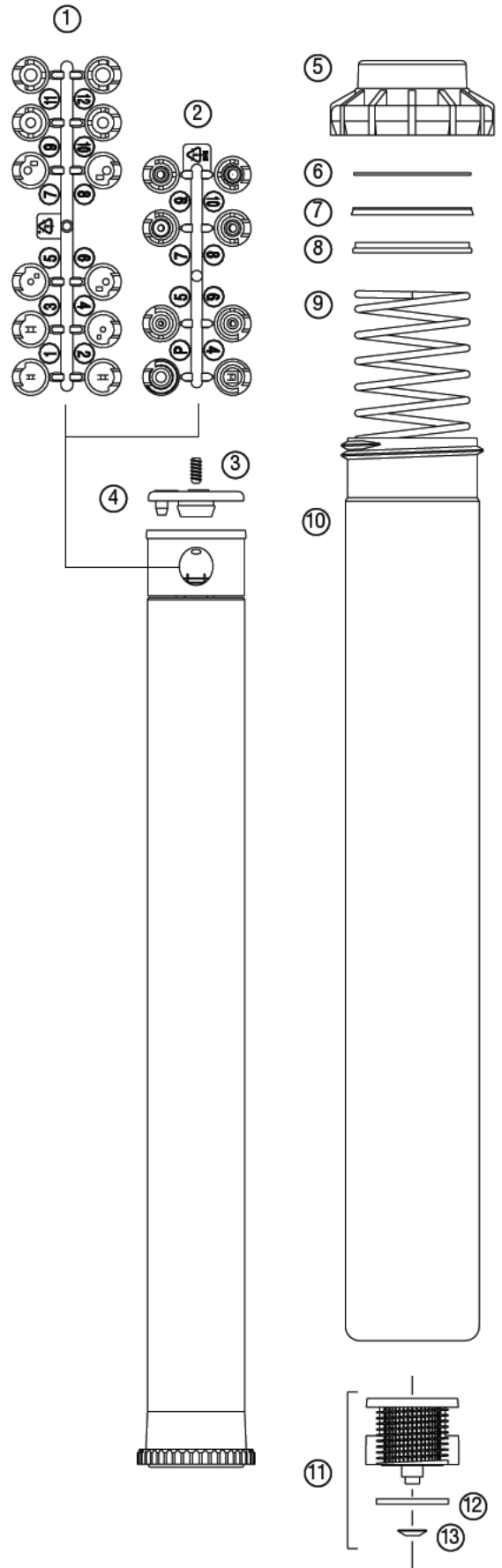
# PGP-ATR: Gear-Driven Sprinkler

Item	Description	Catalog No.
①	Standard Nozzle Set (12) 25° Trajectory	130900
②	Low Angle Nozzle Set (7) 13° Trajectory	233200
③	Set Screw	120300
④	Protective Rubber Cover   Black (ADJ)	269400
⑤	Standard Filter Screen ( <i>Black</i> )	102600
⑥	ATR Cap	417700
⑦	Body Cap	103700
⑧	Riser Seal	181500
⑨	Spring Seat	189900
⑩	Retraction Spring	417600
⑪	Pop-Up Body	417400
⑫	O-Ring	418200



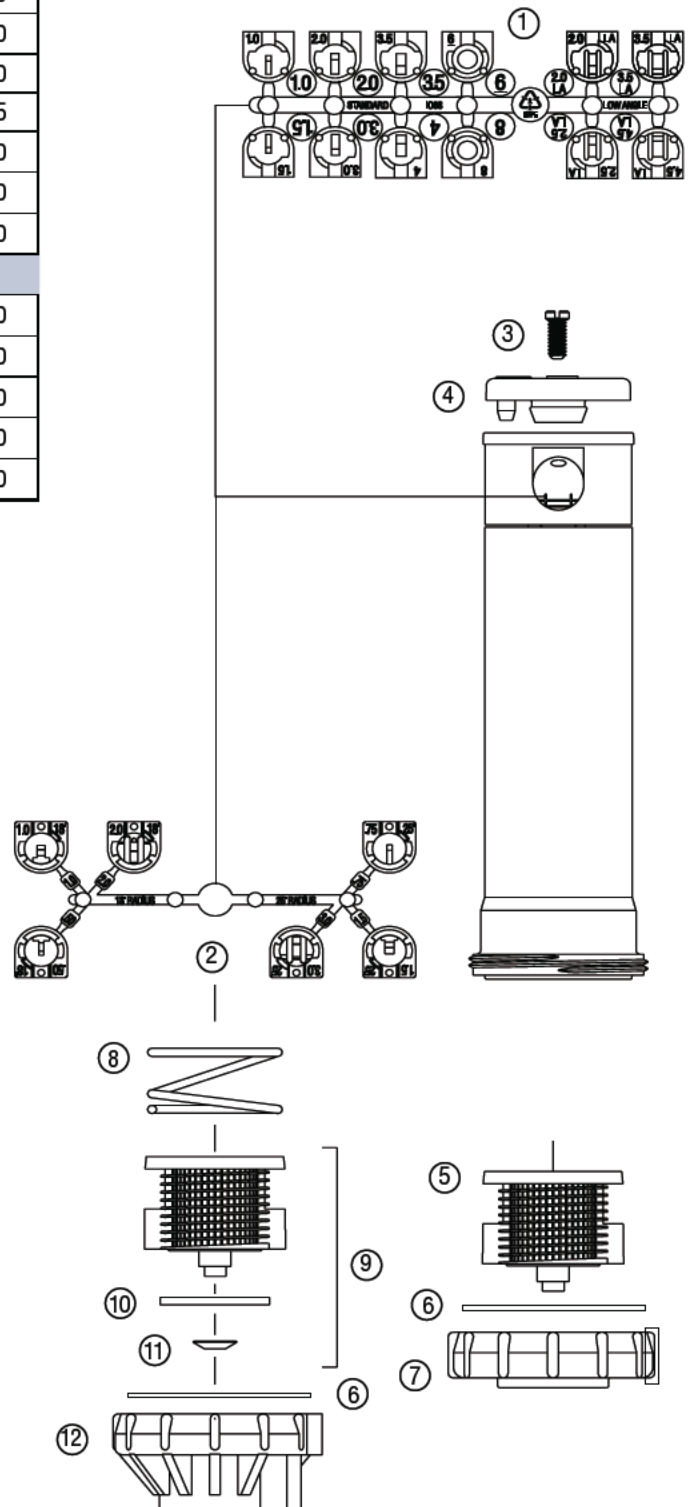
# PGH: Gear-Driven Sprinkler (for models with date codes prior to March 2009)

Item	Description	Catalog No.	
①	Standard Nozzle Set (12) 25° Trajectory	130900	
②	Low Angle Nozzle Set (7) 13° Trajectory	233200	
③	Set Screw	120300	
④	Protective Rubber Cover	Black (ADJ)	269400
⑤	Body Cap	103700	
⑥	Slip Washer	296100	
⑦	Riser Seal	181500	
⑧	Spring Seat	189900	
⑨	Retraction Spring	179500	
⑩	Body	179100	
⑪	Filter Screen/Check Valve Assembly (Black)	142300	
⑫	Check Valve Seal	101400	
⑬	Retainer Clip	204900	



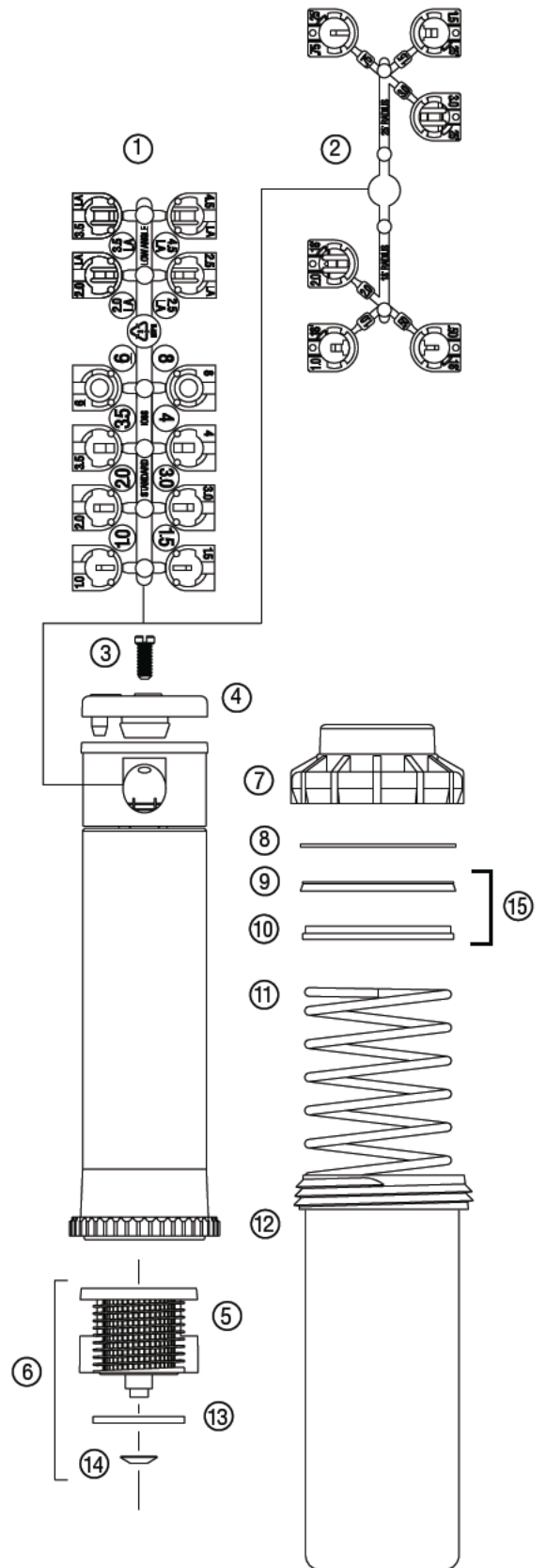
# PGP-00: Gear-Driven Sprinkler

Item	Description	Catalog No.	
①	Standard (8) and Low Angle (4) Nozzle Set, Blue & Gray	782900	
②	Short Radius Nozzle Set (6), Black	466100	
③	Nozzle Retainer Screw - Headed w/ Slot	180900	
④	Rubber Cover Assembly	Black	183600
		Purple	183605
⑤	Standard Filter Screen (Black)	102600	
⑥	O-Ring	170600	
⑦	Standard Shrub Head Base	106900	
<b>Options</b>			
⑧	Check Valve Spring	235000	
⑨	Filter Screen/Check Valve Sub Assembly	142300	
⑩	Check Valve Seal	101400	
⑪	Retainer Clip	204900	
⑫	Shrub Head Base	Check Valve Model	234900



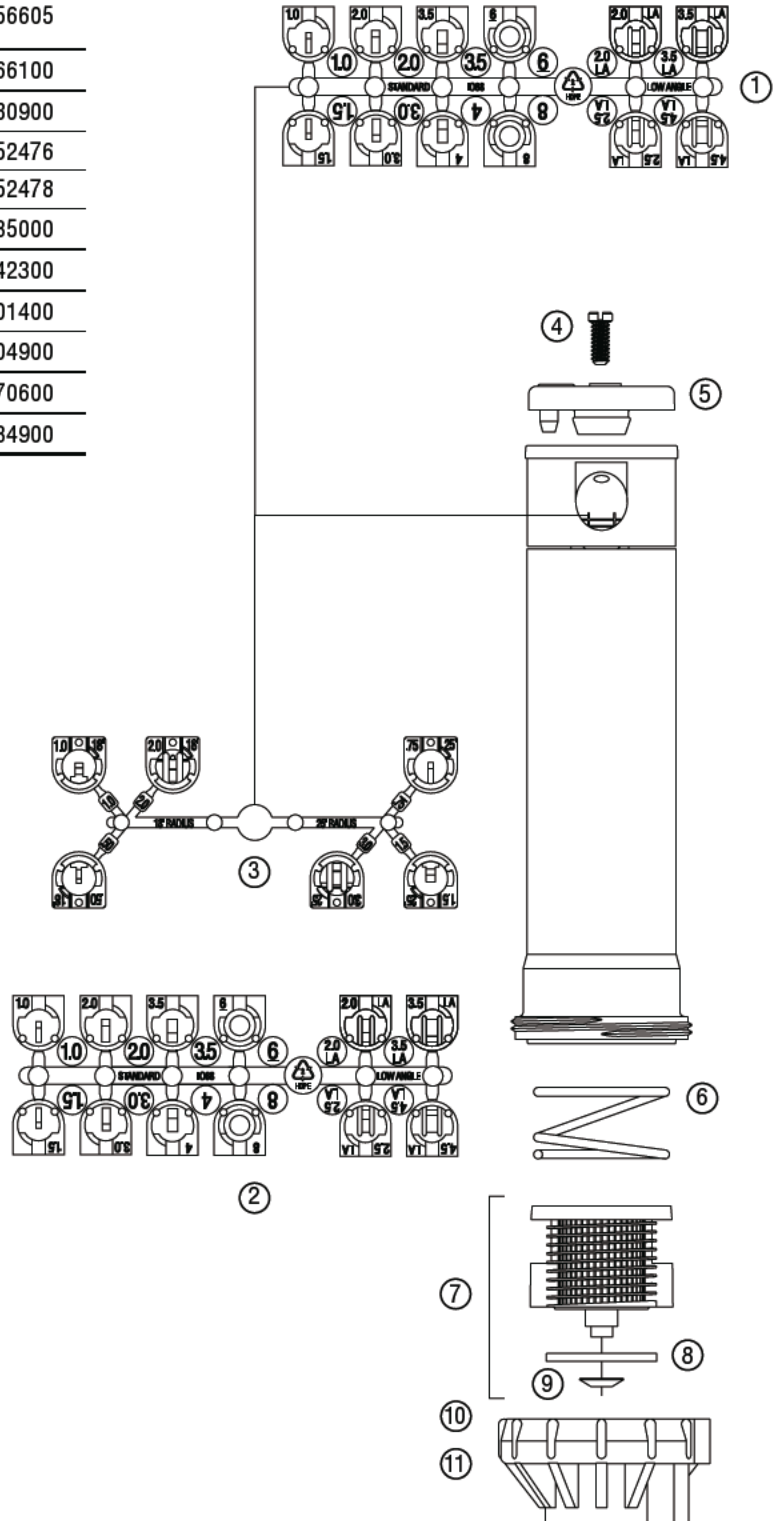
# PGP-04 Ultra, PGP-12 CV Ultra: Gear-Driven Sprinklers

Item	Description	Catalog No.	
①	Standard (8) and Low Angle (4) Nozzle Set, Blue & Gray	782900	
②	Short Radius Nozzle Set (6), Black	466100	
③	Nozzle Retainer Screw - Headed w/ Slot	180900	
④	Rubber Cover Assembly	Black	183600
		Purple	183605
⑤	Filter Screen	Standard Model	102600
⑥	Check Valve Screen Assembly		142300
⑦	Body Cap		103700
⑧	Slip Washer	PGP-12-CV-Only	296100
⑨	Riser Seal		181500
⑩	Spring Seat		189900
⑪	Retraction Spring	PGP-04	104000
		PGP-04-CV	150600
		PGP-12-CV	179500
⑫	Pop-up Body	PGP-04	100200
		PGP-12-CV	179100
⑬	Check Valve Seal Only		101400
⑭	Retainer Clip		204900
⑮	Seal Replacement Kit (Includes Parts ⑩ & ⑪)		253400



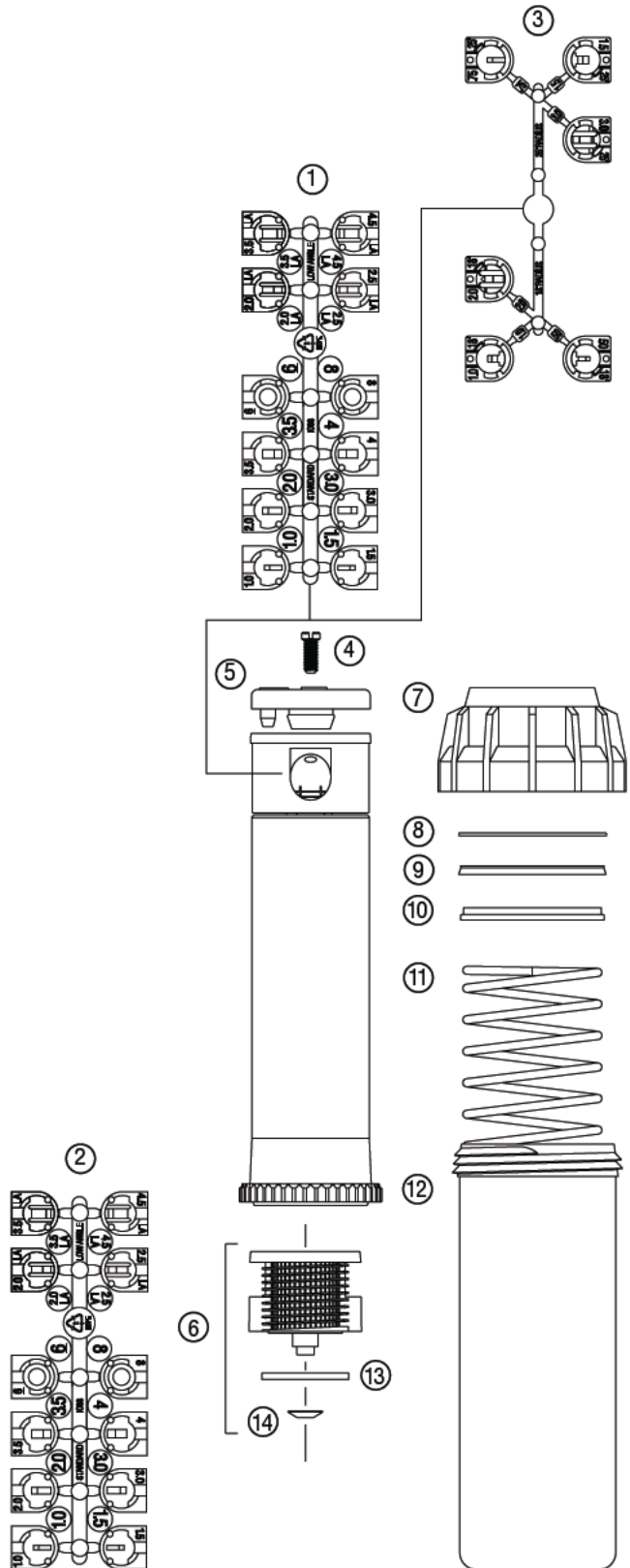
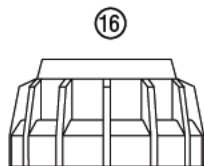
# I-20-00: Gear-Driven Sprinklers

Item	Description	Catalog No.
①	Standard (8) and Low Angle (4) Nozzle Set, Blue & Gray	782900
②	Standard (8) and Low Angle (4) Nozzle Set, <b>NAVY</b> Blue & Gray	356605
③	Short Radius Nozzle Set (6), Black	466100
④	Nozzle Retainer Screw	180900
⑤	Rubber Cover Assembly	Black 352476 Purple 352478
⑥	Check Valve Spring	235000
⑦	Check Valve Screen Assembly	142300
⑧	Check Valve Seal Only	101400
⑨	Retainer Clip	204900
⑩	O-Ring	170600
⑪	Shrub Head Base	Check Valve Model 234900



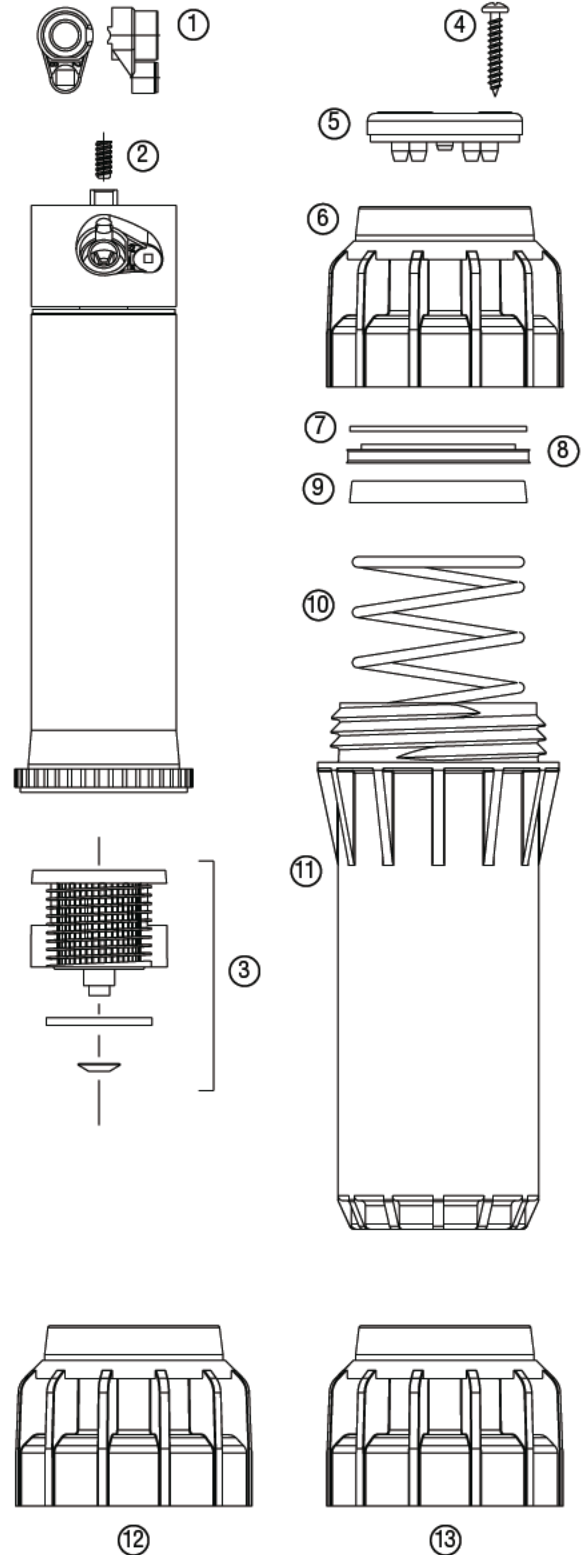
# I-20-04, I-20-06, I-20-12: Gear-Driven Sprinklers

Item	Description	Catalog No.	
①	Standard (8) and Low Angle (4) Nozzle Set, Blue & Gray	782900	
②	Standard (8) and Low Angle (4) Nozzle Set, <b>NAVY</b> Blue & Gray	356605	
③	Short Radius Nozzle Set (6), Black	466100	
④	Nozzle Retainer Screw	180900	
⑤	Rubber Cover Assembly	Black	352476
		Purple	352478
⑥	Filter Screen with Check Valve Assembly	142300	
⑦	Body Cap	356000	
⑧	Slip Washer	I-20-12-Only	296100
⑨	Riser Seal	I-20-04	252500
		I-20-06	252500
		I-20-12	181500
⑩	Spring Seat	I-20-04	227800
		I-20-06	227800
		I-20-12	189900
⑪	Retraction Spring	I-20-04, I-20-04-SS	150600
		I-20-06, I-20-06-SS	460300
		I-20-12	179500
⑫	Pop-up Body	I-20-04, I-20-04-SS	229200
		I-20-06, I-20-06-SS	434700
		I-20-12	404200
⑬	Check Valve Seal Only	101400	
⑭	Retainer Clip	204900	
⑮	I-20 Shut Off Cap Assembly	296000	



## I-25-04, 06: Gear-Driven Sprinklers

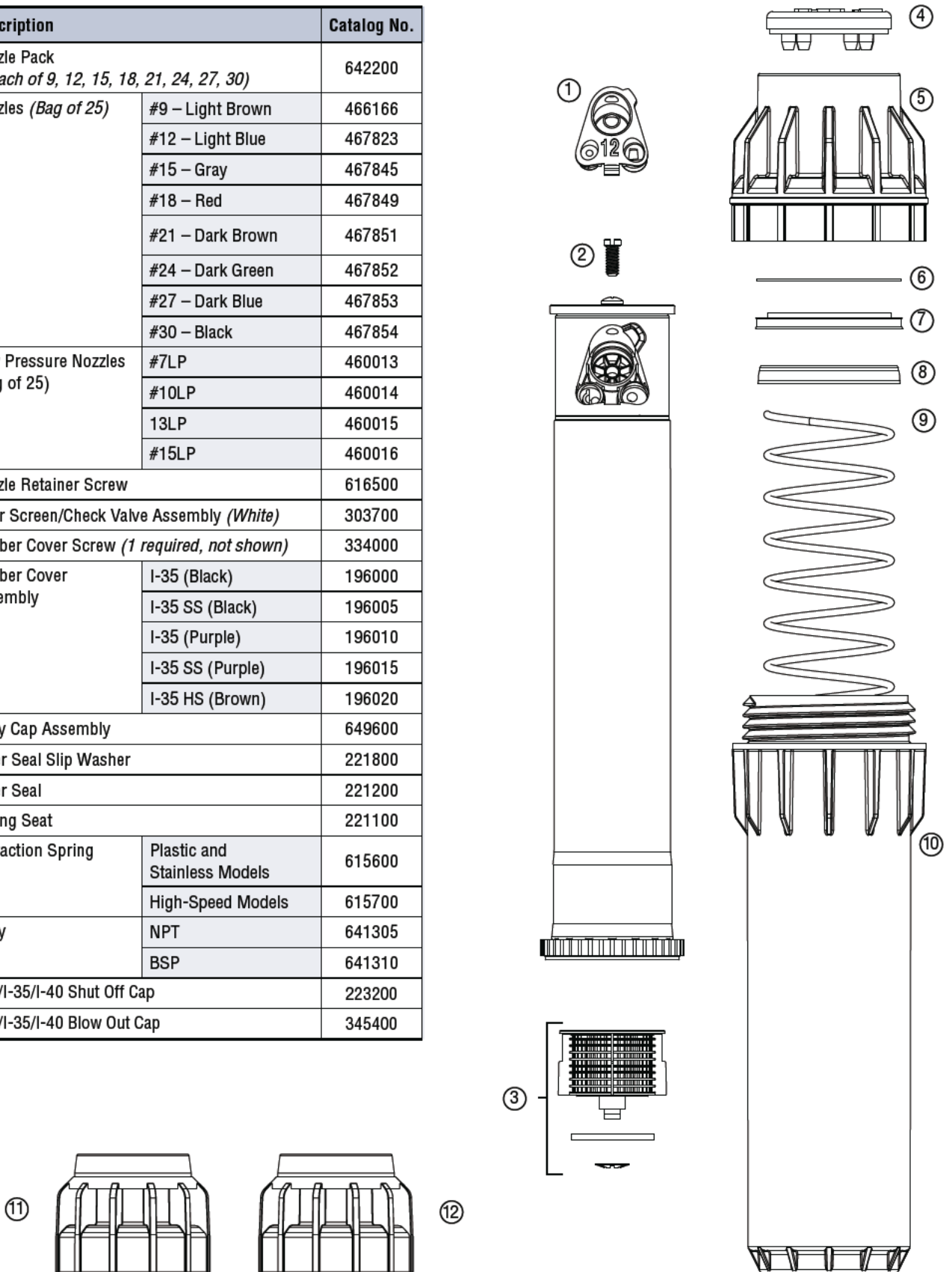
Item	Description	Catalog No.	
①	Nozzle Pack (1 each 7, 10, 15, 20, 25)	460010	
	#4 – Yellow	463401	
	#5 – White	463402	
	#7 – Orange	463403	
	#8 – Lt. Brown	463404	
	#10 – Lt. Green	463405	
	#13 – Lt. Blue	463406	
	#15 – Gray	463407	
	#18 – Red	463408	
	#20 – Dk. Brown	463409	
	#23 – Dk. Green	463410	
	#25 – Dk. Blue	463411	
#28 – Black	463412		
②	Nozzle Retainer Screw	333900	
③	Filter Screen/Check Valve Assembly (White)	303700	
④	Rubber Cover Screw (2 Required)	334000	
⑤	Rubber Cover Assembly (logo base & rubber cover)	Black	344605
		Black SS	344635
		Purple	344615
		Purple SS	344640
		Brown SS	344625
⑥	Body Cap Assembly	341500	
⑦	Riser Seal Slip Washer	221800	
⑧	Riser Seal	221200	
⑨	Spring Seat	221100	
⑩	Retraction Spring	Standard Models (4")	300800
		High-Speed Models (4")	221300
		Standard Models (6")	615600
		High-Speed Models (6")	615700
⑪	Body	NPT (4")	336405
		BSP (4")	336410
		NPT (6")	614705
		BSP (6")	614710
⑫	I-25/I-35/I-40 Shut Off Cap	223200	
⑬	I-25/I-35/I-40 Blow Out Cap	345400	





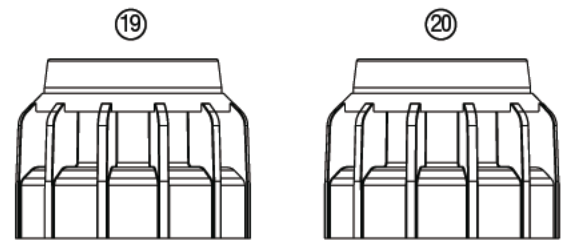
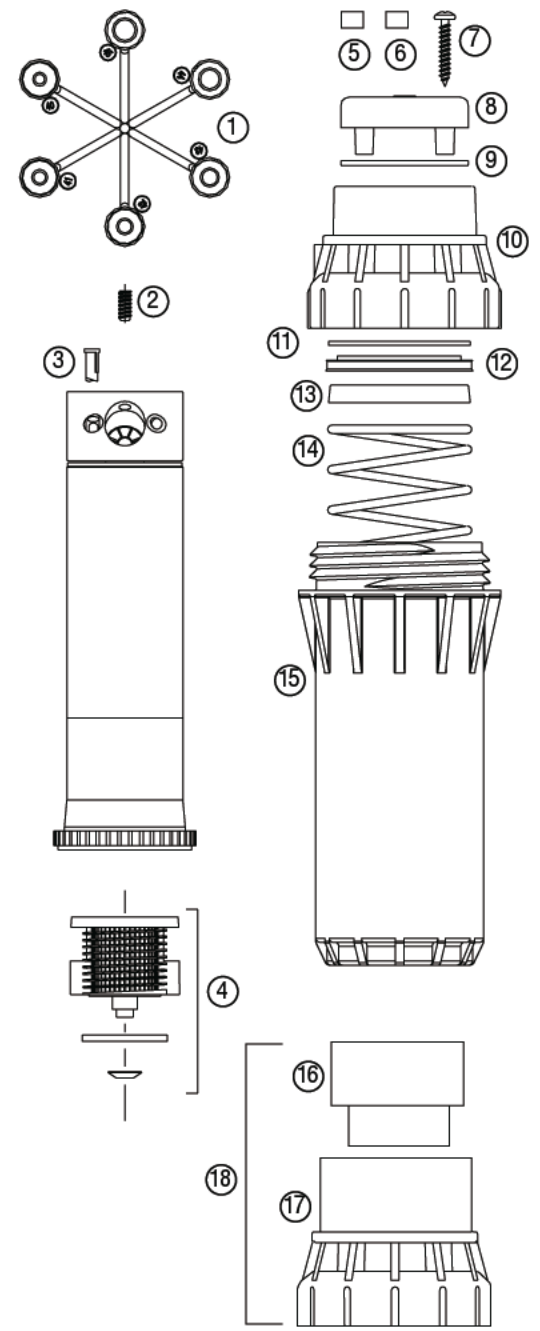
# I-35: Gear-Driven Sprinkler

Item	Description	Catalog No.
①	Nozzle Pack (1 each of 9, 12, 15, 18, 21, 24, 27, 30)	642200
	Nozzles (Bag of 25)	
	#9 – Light Brown	466166
	#12 – Light Blue	467823
	#15 – Gray	467845
	#18 – Red	467849
	#21 – Dark Brown	467851
	#24 – Dark Green	467852
	#27 – Dark Blue	467853
	#30 – Black	467854
	Low Pressure Nozzles (Bag of 25)	
	#7LP	460013
	#10LP	460014
	13LP	460015
	#15LP	460016
②	Nozzle Retainer Screw	616500
③	Filter Screen/Check Valve Assembly (White)	303700
④	Rubber Cover Screw (1 required, not shown)	334000
	Rubber Cover Assembly	
	I-35 (Black)	196000
	I-35 SS (Black)	196005
	I-35 (Purple)	196010
	I-35 SS (Purple)	196015
	I-35 HS (Brown)	196020
⑤	Body Cap Assembly	649600
⑥	Riser Seal Slip Washer	221800
⑦	Riser Seal	221200
⑧	Spring Seat	221100
⑨	Retraction Spring	
	Plastic and Stainless Models	615600
	High-Speed Models	615700
⑩	Body	
	NPT	641305
	BSP	641310
⑪	I-25/I-35/I-40 Shut Off Cap	223200
⑫	I-25/I-35/I-40 Blow Out Cap	345400



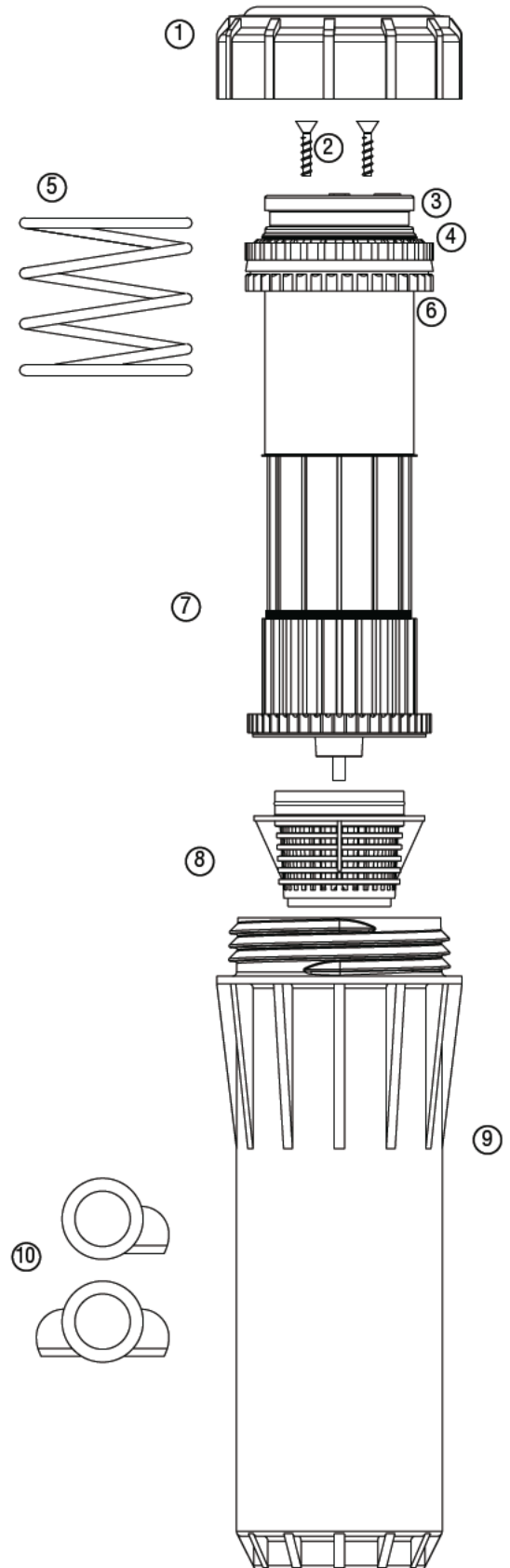
# I-40-04, 06: Gear-Driven Sprinklers

Item	Description		Catalog No.
①	Nozzle Rack (6 Black)	Adjustables	462458
		Opposing Nozzles	462459
②	Nozzle Retainer Screw		333900
③	Diffuser Pin		245400
④	Filter Screen/Check Valve Assembly (White)		303700
⑤	Model Number Button	I-40	252705
		Blank	252735
⑥	Feature Designation Button	Blank	252845
		HS	252855
		ON	252850
⑦	Rubber Cover Screw (2 Required)		334000
⑧	Rubber Cover Assembly (Includes Part 10)	Black	345005
		Brown	345010
		Purple	345015
⑨	Rubber Cover Washer		253000
⑩	Body Cap Assembly		221600
⑪	Riser Seal Slip Washer		221800
⑫	Riser Seal		221200
⑬	Spring Seat		221100
⑭	Retraction Spring	4"	221300
		6"	615700
⑮	Body	NPT (4")	336405
		BSP (4")	336410
		NPT (6")	614705
		BSP (6")	614710
⑯	Cup & Retainer Assembly – Turf Cup		344400
⑰	Body Cap Assembly – Turf Cup		224600
⑱	Turf Cup Kit – Date Codes 9510 and After (Includes Parts 17 and 18 Plus Instructions. Does not work on ON models)		460000
⑲	I-25/I-35/I-40 Shut Off Cap		223200
⑳	I-25/I-35/I-40 Blow Out Cap		345400



## I-60: Gear-Driven Sprinklers

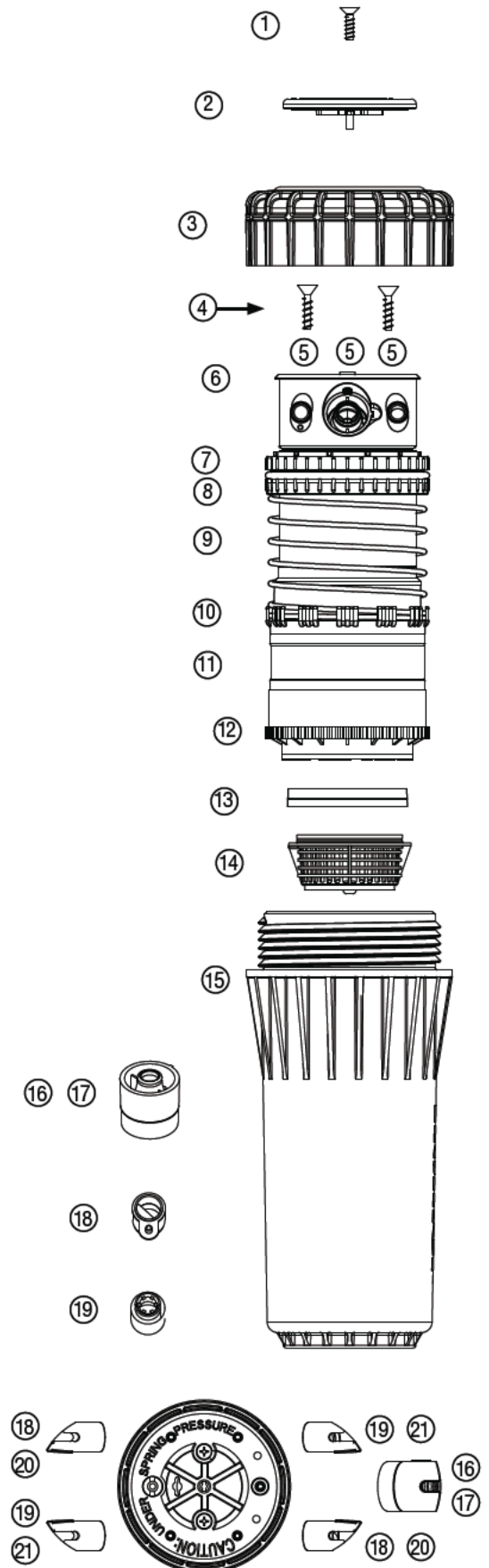
Item	Description	Catalog No.				
①	Body Cap Assembly	431700				
②	Rubber Cover Screw (2 Required)	334000				
③	Rubber Cover Assembly	ADS (Black)	420300			
		36S (Black)	420400			
		ARS (Purple)	420305			
		3RS (Purple)	420405			
④	Diffuser Yoke	36S Only	350600			
⑤	Spring		348700			
⑥	Seal Assembly (Includes seal supports and stainless steel sleeve)		350100			
⑦	Face Seal		557500			
⑧	Filter Screen Assembly (with Check Valve)		422200			
⑨	Body	NPT	420610			
		BSP	420615			
⑩	Nozzle Package (Includes 7, 10, 13, 15, 18, 20)	ADS	462373			
		36S	462374			
	Nozzles (Bag of 25)	ADS	#7 – Orange	472373		
			#10 – Lt. Green	472374		
			#13 – Lt. Blue	472375		
			#15 – Gray	472376		
			#18 – Red	472377		
			#20 – Dk. Brown	472378		
			Nozzles (Bag of 25)	36S	#7 – Orange	463471
					#10 – Lt. Green	463472
	#13 – Lt. Blue	463473				
	#15 – Gray	463474				
	#18 – Red	463475				
	#20 – Dk. Brown	463476				



# I-90: Gear-Driven Sprinkler

Item	Description	Catalog No.	
①	Rubber Cover Screw (1 Required)	351800	
②	Rubber Cover Assembly	ADV (Black)	529000
		36V (Black)	528900
		ARV (Purple)	529005
		3RV (Purple)	528905
③	Body Cap Assembly	525000	
④	Retainer Cap Screws (2 Required)	334000	
⑤	Nozzle Retainer Screw (5 Required, not shown)	053339	
⑥	Retainer Cap (5/11 & prior)	ADV, ARV	346800
		36V, 3RV	346700
	Retainer Cap (6/11 & after) - All	197200	
⑦	Seal Block*	171710*	
⑧	O-Ring Seal*	171600*	
⑨	Retraction Spring*	171900*	
⑩	Face Seal - Black*	406000*	
⑪	Bumper - White*	171800*	
⑫	Riser Assembly (Includes #4-11)	ADV, ARV	525500
		36V, 3RV	525400
⑬	Stator Adjustment Plate	052833	
⑭	Screen Assembly	525200	
⑮	Body	NPT	525100
		BSP	525105
⑯	Nozzle Pack (1 Ea 25, 33, 38, 43, 48, 53, 63, 73)	461204	
⑰	Nozzle Pack (Bag of 25)	#25 - Lt. Blue	460011
		#33 - Gray	464363
		#38 - Red	464364
		#43 - Dk. Brown	464365
		#48 - Dk. Green	464366
		#53 - Dk. Blue	464367
		#63 - Black	464368
		#73 - Orange	460012
⑱	Short Range Nozzle (5/11 & Prior) - All (Left, Black)	439100	
	Short Range Nozzle (6/11 & After) (Left, Red) All Models	191800	
⑲	Mid Range Nozzle (5/11 & Prior)	(Right, Green) ADV, ARV	439000
		(Right, Blue) 36V, 3RV	455400
⑲	Mid Range Nozzle (6/11 & After)	(Right, Green) ADV, ARV	195701
		(Right, Blue) 36V, 3RV	195704
⑳	Nozzle Plug (6/11 & After) (Left, Black) - All	195803	
㉑	Nozzle Plug (6/11 & After) (Right, Black) - All	195703	

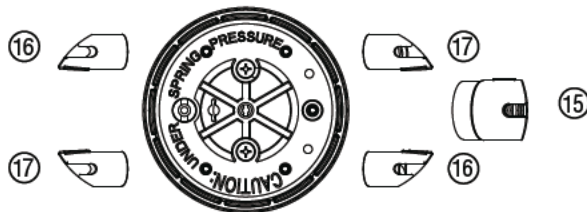
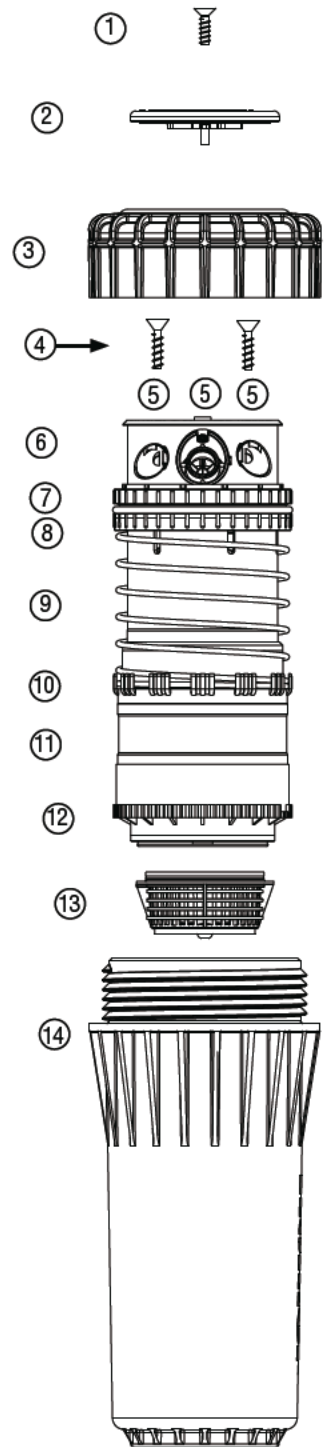
\*Parts 7-11 are required for the new I-90 seal replacement kit



# ST-90: Gear-Driven Sprinkler

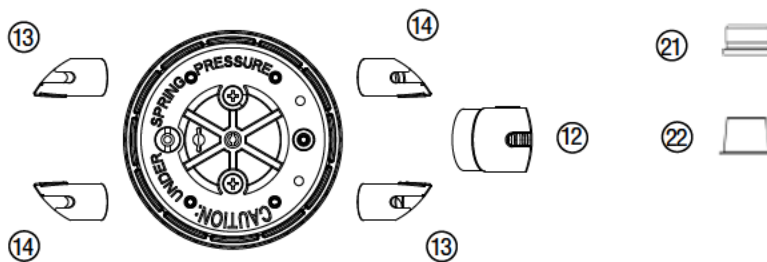
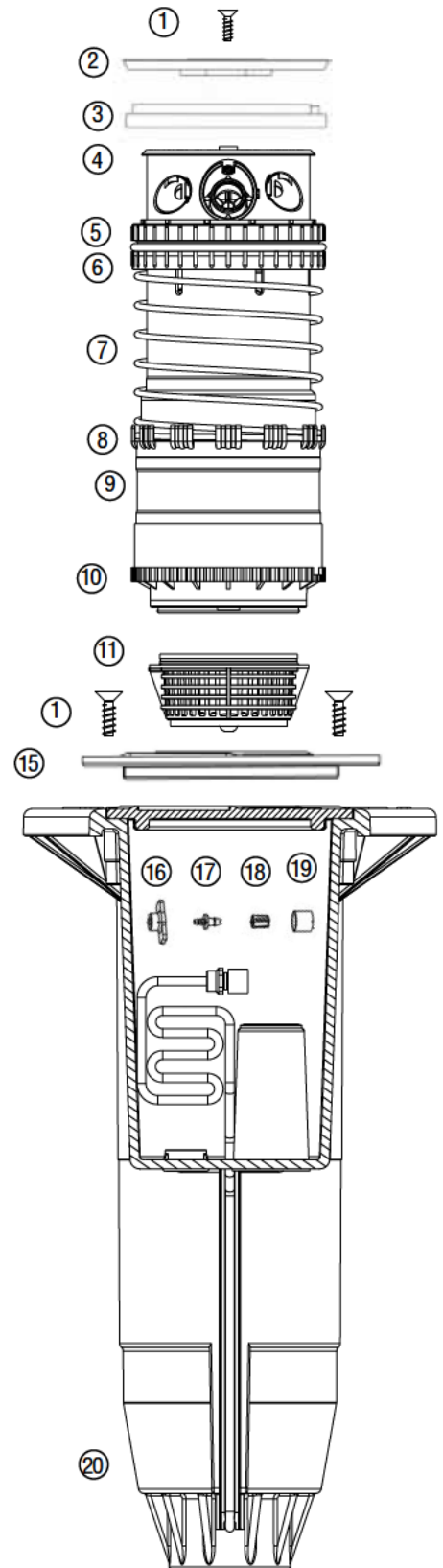
Item	Description	Catalog No.	
①	Rubber Cover Screw (1 Required)	351800	
②	Rubber Cover Assembly - Green	208900	
③	Body Cap Assembly	525000	
④	Retainer Cap Screws (2 Required)	334000	
⑤	Nozzle Retainer Screw (5 Required, not shown)	053339	
⑥	Retainer Cap - All	197200	
⑦	Seal Block*	171710*	
⑧	O-Ring Seal*	171600*	
⑨	Retraction Spring*	171900*	
⑩	Face Seal - Black*	406000*	
⑪	Bumper - White*	171800*	
⑫	Riser Assembly (Includes #4-13)	517800	
⑬	Screen Assembly	524600	
⑭	Body	NPT	525100
		BSP	525105
⑮	Nozzle Pack (Bag of 25) #73 - Orange	460012	
⑯	Nozzle Plug (Left, Green)	195802	
⑰	Nozzle Plug (Right, Green)	195702	

\*Parts 7-11 are required for the new I-90 seal replacement kit



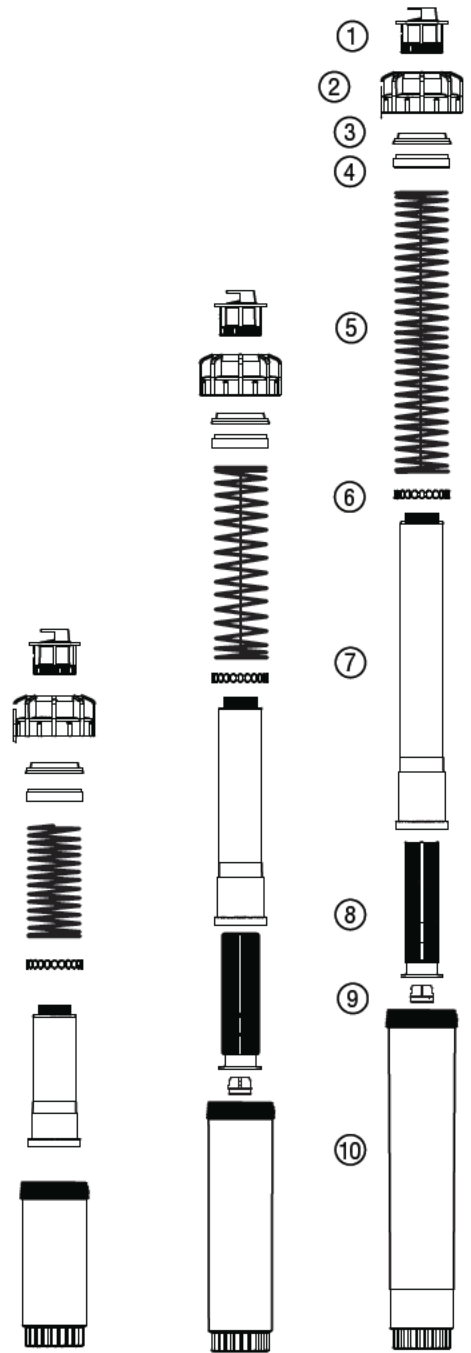
# STG-900: Gear-Driven Sprinkler

Item	Description	Catalog No.
①	Screw - Logo Cap Retainer	351800
②	Rubber Logo Cap - (Green)	242505
③	Snap Ring Assy. - (Black)	430700
④	Screw - Nozzle Retainer (5 used)	333900
⑤	Seal Block	171700
⑥	O' Ring - Seal	171600
⑦	Spring - Riser Retraction	171900
⑧	Face Seal - Black	406000
⑨	Bumper - White	171800
⑩	Riser Assembly - (incl: items 4 - 11)	517900
⑪	Screen - Riser Inlet	524600
⑫	Primary Nozzles - Bag of 25 (#73 - Black)	460012
⑬	Nozzle Plug (Left, Green)	195802
⑭	Nozzle Plug (Right, Green)	195702
⑮	Lid - Flange Compartment	493605
⑯	Tube Retainer - 1/8" Tubing	476000
⑰	Connector - 1/4" x 1/8" Tubing	402100
⑱	Tube Plug - 1/4" Tubing	052608
⑲	Tube Retainer - 1/4" Tubing	052610
⑳	Body Assembly, STG-900 (incl: items 16 - 22)	521000
㉑	Cap, Protective - solenoid wire hole	643900
㉒	Cap, Protective	456800



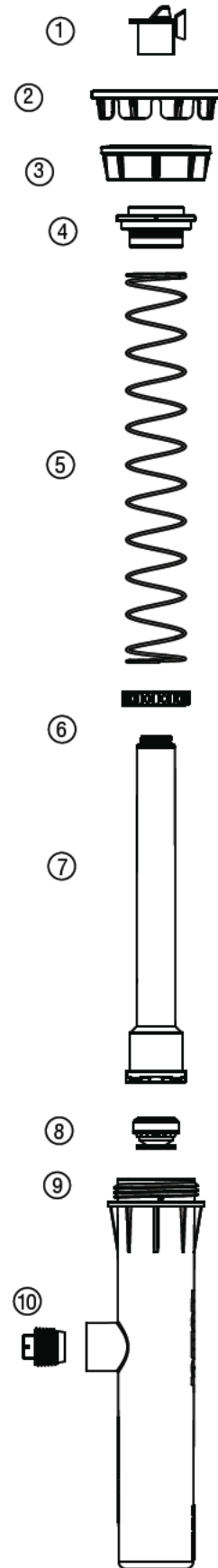
# PSU-02, 04, 06: PS Ultra Spray Sprinklers

Item	Description	Catalog No.	
①	Flush Cap ( <i>White</i> )	162800	
②	Body Cap   Standard ( <i>Black</i> )	162600	
③	Riser Seal	192300	
④	Spring Seat	181100	
⑤	Spring	2"	180200
		4"	192100
		6"	162400
⑥	Ratchet Ring	162700	
⑦	Riser	2"	162300
		4"	162500
		6"	162100
⑧	Filter Screen (4" and 6" models only)	162900	
⑨	Check Valve Assembly ( <i>Bag of 25</i> )	462237	
⑩	Body	2" Pop-up Body	179900
		4" Pop-up Body	192000
		6" Pop-up Body	163200



# PROS-02, 03, 04, 06, 12: Pro-Spray Sprinklers

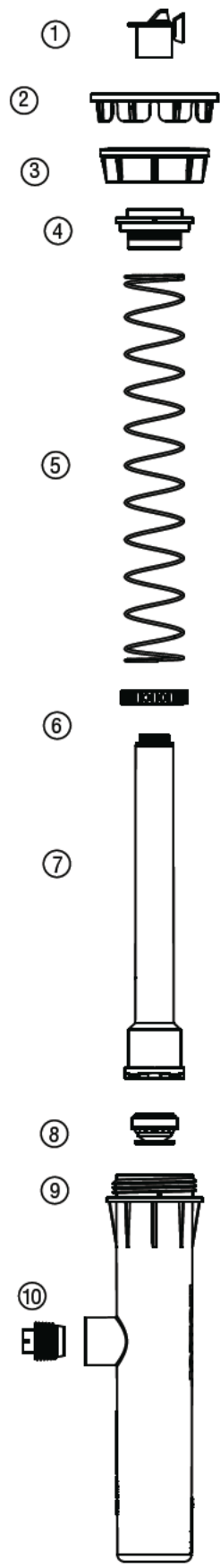
Item	Description	Catalog No.
①	Flush Cap (Gray)	423900
②	Snap-On Reclaimed Cap	Purple PROSRCCAP
③	Body Cap	Standard (Black) 458500
		With Check Valve ID (Black) 458505
		Reclaimed Body Cap (Purple) 458520
		Reclaimed w/ Check Valve ID (Purple) 458525
④	Riser Seal	472300
⑤	Spring	2" 630900
		3" 631000
		4" 459500
		6" 460400
		12" 460500
⑥	Ratchet Ring	629300
⑦	Riser	2" 630300
		3" 630400
		4" 424100
		6" 458700
		12" 458900
⑧	Check Valve Assembly	437400
⑨	Body	2" w/o Side Inlet 630500
		3" w/o Side Inlet 630600
		4" w/o Side Inlet 424000
		6" w/ Side Inlet 458800
		6" w/o Side Inlet 645700
		12" w/ Side Inlet 459000
		12" w/o Side Inlet 645800
⑩	Side Plug (6" and 12" models only)	460600





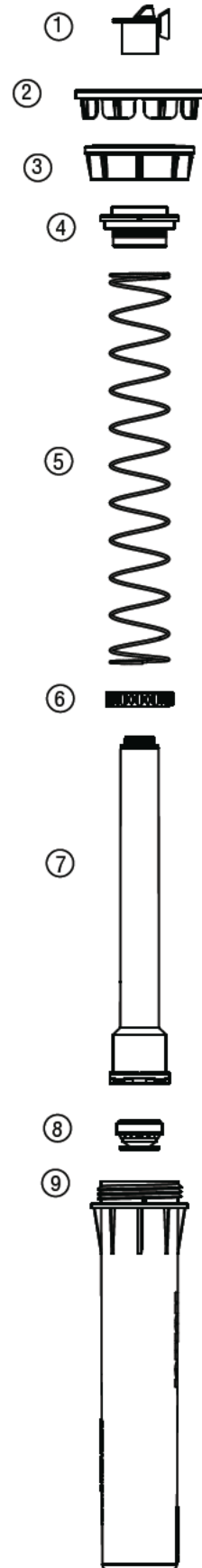
## PRS30-04,06,12: Pro-Spray Pressure Regulated Spray Bodies

Item	Description	Catalog No.	
①	Flush Cap ( <i>Blue</i> )	423905	
②	Snap-On Reclaimed Cap	PROSRCCAP	
③	Body Cap	Standard (Brown)	458551
		With Check Valve ID (Brown)	458554
		Reclaimed Body Cap w/ Check Valve ID (Purple)	458560
④	Riser Seal	472300	
⑤	Spring	4"	459600
		6"	460400
		12"	460500
⑥	Ratchet Ring	629300	
⑦	Riser	4"	437505
		6"	459105
		12"	462205
⑧	Check Valve Assembly	437400	
⑨	Body	4" w/o Side Inlet	424000
		6" w/ Side Inlet	458800
		6" w/o Side Inlet	645700
		12" w/ Side Inlet	459000
		12" w/o Side Inlet	645800
⑩	Side Plug (6" and 12" models only)	460600	



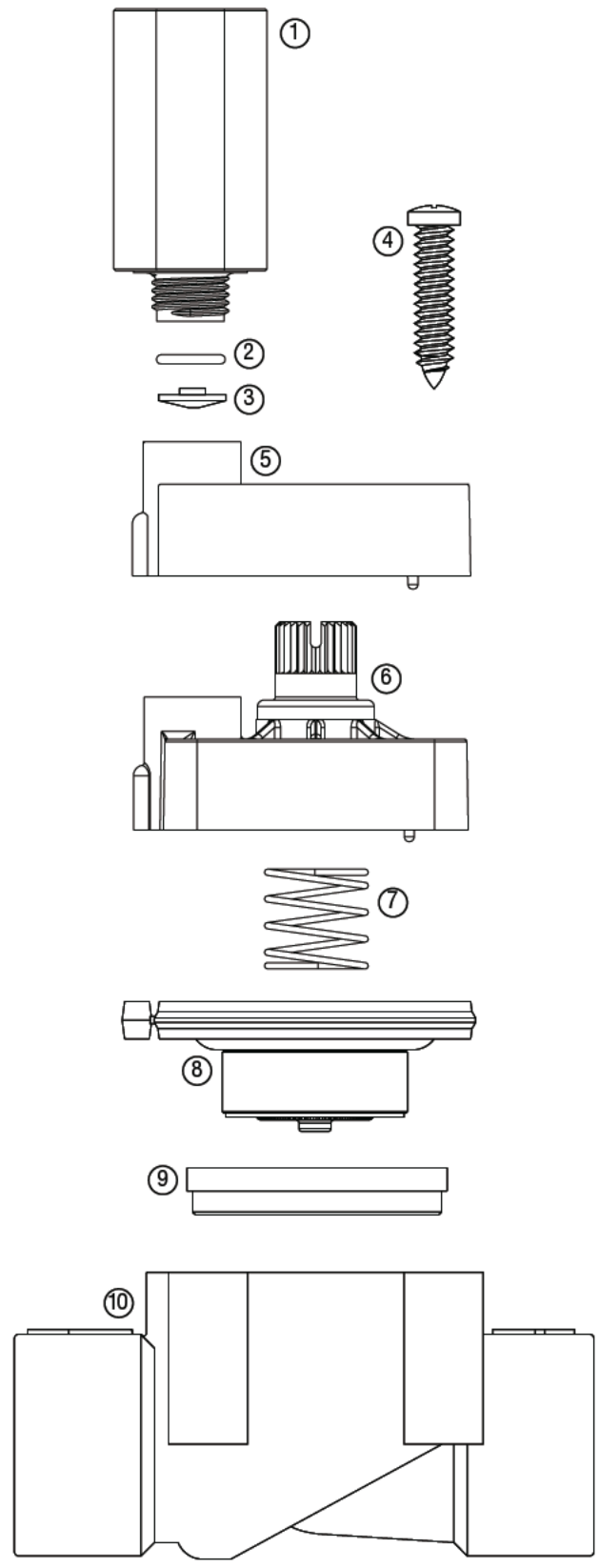
# PRS40-04CV, 06CV, 12CV: Pro-Spray Pressure Regulated Spray Bodies

Item	Description	Catalog No.	
①	Flush Cap ( <i>Blue</i> )	423905	
②	Snap-On Reclaimed Cap	Purple PROSCRRAP	
③	Body Cap	Standard (Gray) w/Check Valve ID	458556
		Reclaimed w/ Check Valve ID (Purple)	458562
④	Riser Seal	472300	
⑤	Spring	4"	459600
		6"	460400
		12"	460500
⑥	Ratchet Ring	629300	
⑦	Riser	4"	437520
		6"	459120
		12"	462220
⑧	Check Valve Assembly	437400	
⑨	Body	4" w/o Side Inlet	424000
		6" w/o Side Inlet	645700
		12" w/o Side Inlet	645800



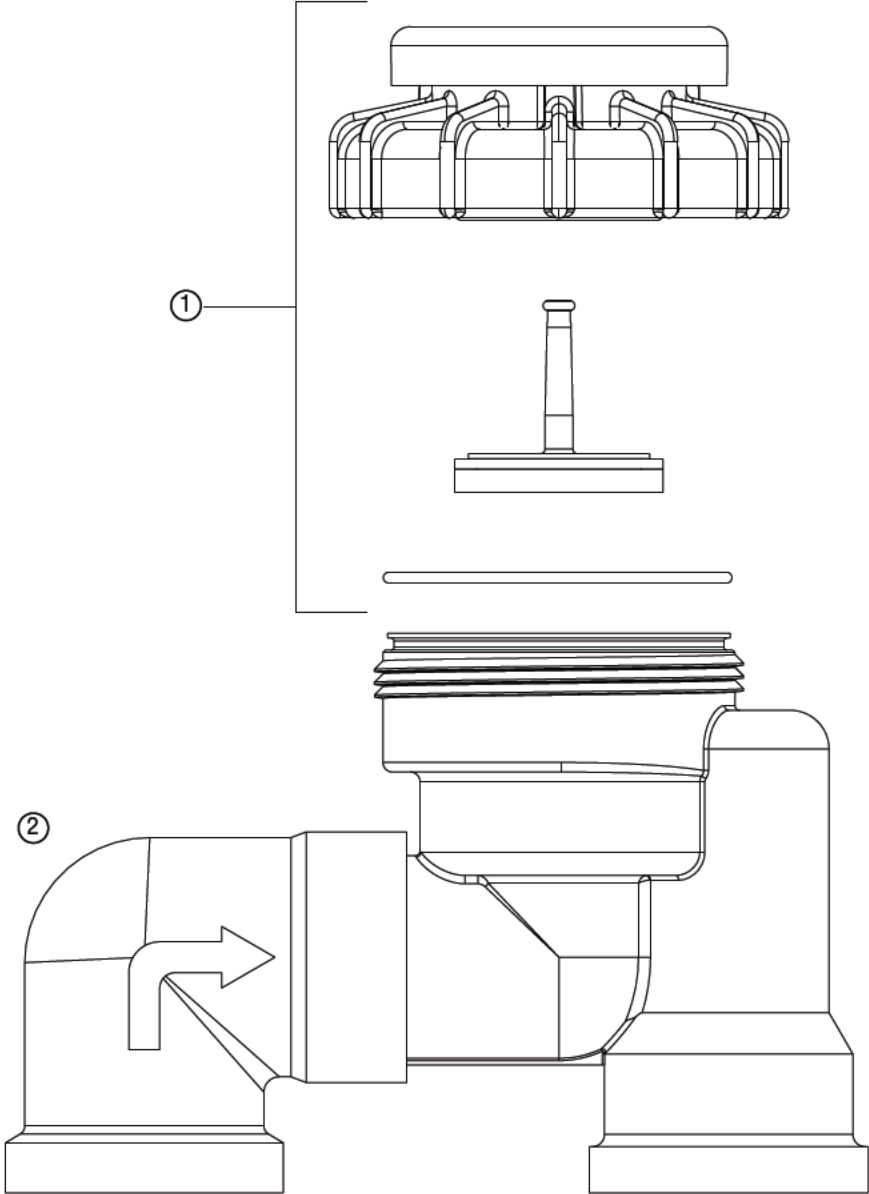
# SRV: Plastic Valve

Item	Description	Catalog No.
①	Solenoid Assembly	AC Solenoid 606800
	(Includes Parts 2 & 3)	DC Solenoid 458200
②	O-Ring	262600
③	Solenoid Seal	364400
④	Bonnet Screw	331700
⑤	Bonnet without Flow Control	331100
⑥	Bonnet with Flow Control	379400
⑦	Diaphragm Spring	266000
⑧	Diaphragm Assembly	332100
⑨	Diaphragm Support Ring	331300
⑩	Body	NPT Thread 331005
		BSP Thread 331010
		Slip 331015
⑪	Flow Control Handle	Black 269200
		Purple 269205



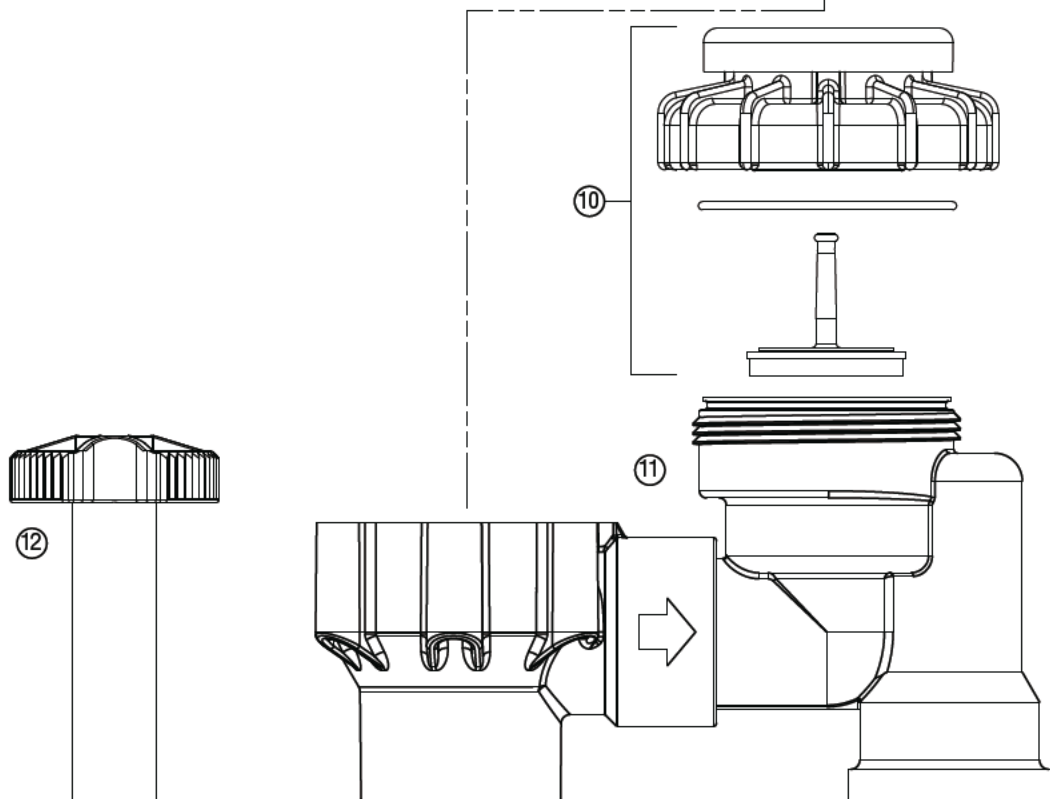
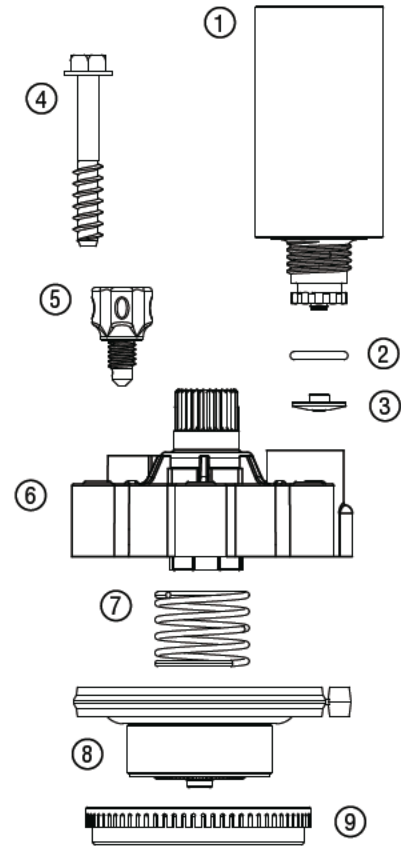
# AVB: Plastic Valve

Item	Description	Catalog No.
①	1" AVB/ASV Repair Kit	590306
②	1" AVB Body	472400



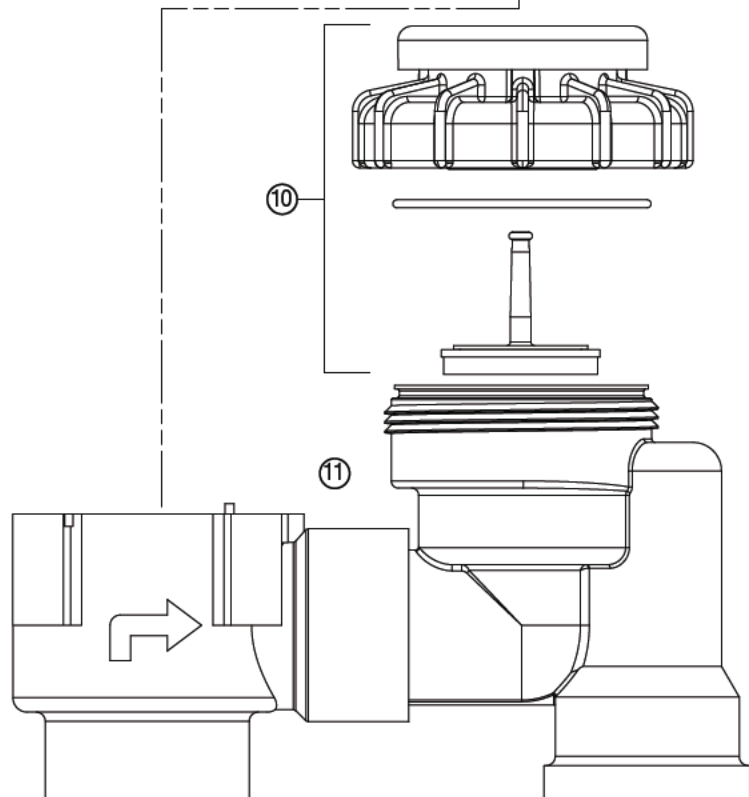
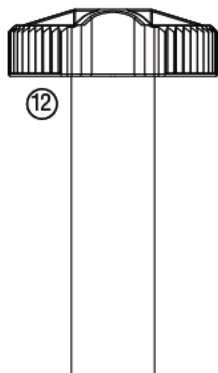
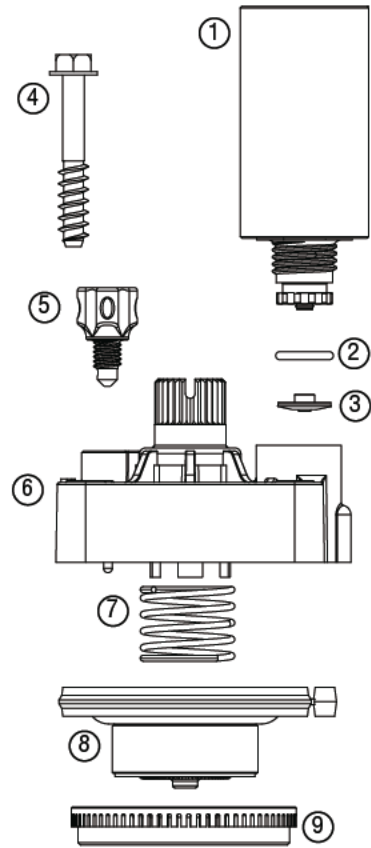
# PGV-ASV: Plastic Valve (6-Bolt Bonnet Design)

Item	Description	Catalog No.	
①	Solenoid Assembly <i>(Includes Parts 2 &amp; 3)</i>	AC Solenoid	606800
		DC Solenoid	458200
②	O-Ring	262600	
③	Solenoid Seal	364400	
④	Bonnet Screw	427300	
⑤	Bleed Screw	546700	
⑥	Bonnet with Flow Control & Bleed Screw	187100	
⑦	Diaphragm Spring	266000	
⑧	Diaphragm Assembly	332100	
⑨	Diaphragm Support Ring	331300	
⑩	AVB/ASV Repair Kit	3/4"	590307
		1"	590306
⑪	Body	3/4" NPT	154210
		3/4" Slip	154215
		1" NPT	154200
		1" Slip	154205
⑫	Flow Control Handle	Black	269200
		Purple	269205



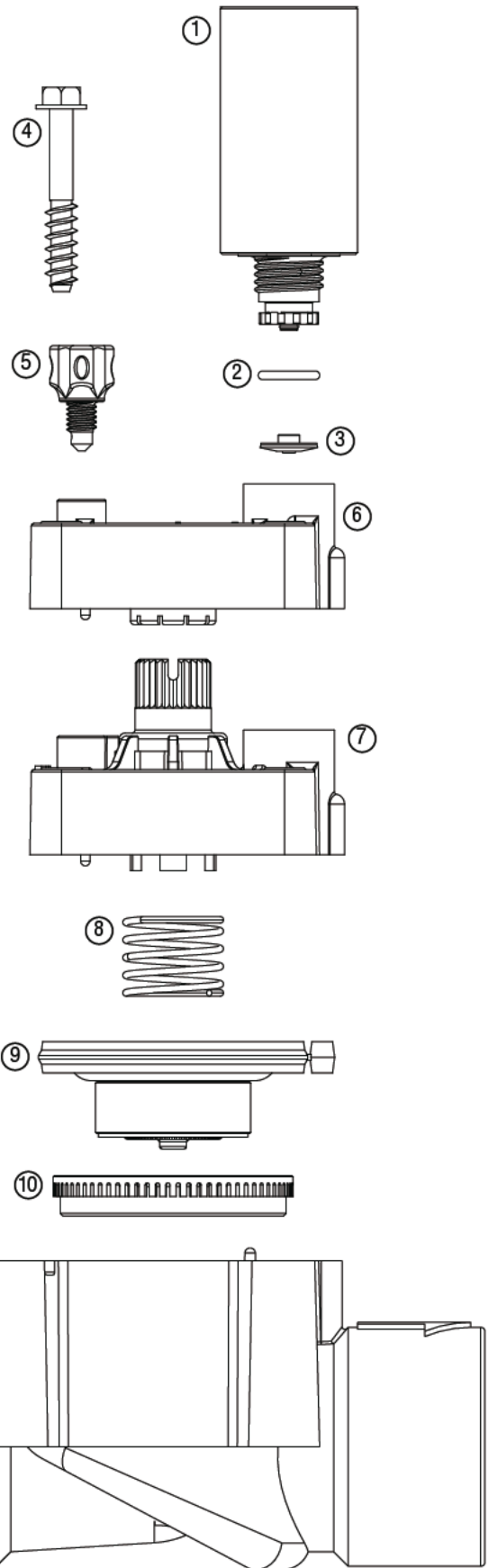
# PRO-ASV: Plastic Valve

Item	Description	Catalog No.	
①	Solenoid Assembly <i>(Includes Parts 2 &amp; 3)</i>	AC Solenoid	606800
		DC Solenoid	458200
②	O-Ring	262600	
③	Solenoid Seal	364400	
④	Bonnet Screw	427300	
⑤	Bleed Screw	546700	
⑥	Bonnet with Flow Control & Bleed Screw	556000	
⑦	Diaphragm Spring	266000	
⑧	Diaphragm Assembly	332100	
⑨	Diaphragm Support Ring	331300	
⑩	AVB/ASV Repair Kit	3/4"	590307
		1"	590306
⑪	Body	3/4" NPT	438100
		3/4" Slip	438105
		1" NPT	437700
		1" Slip	437705
⑫	Flow Control Handle	Black	269200
		Purple	269205



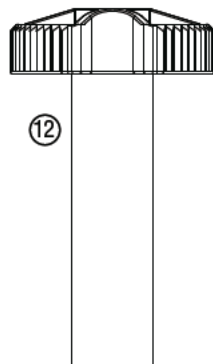
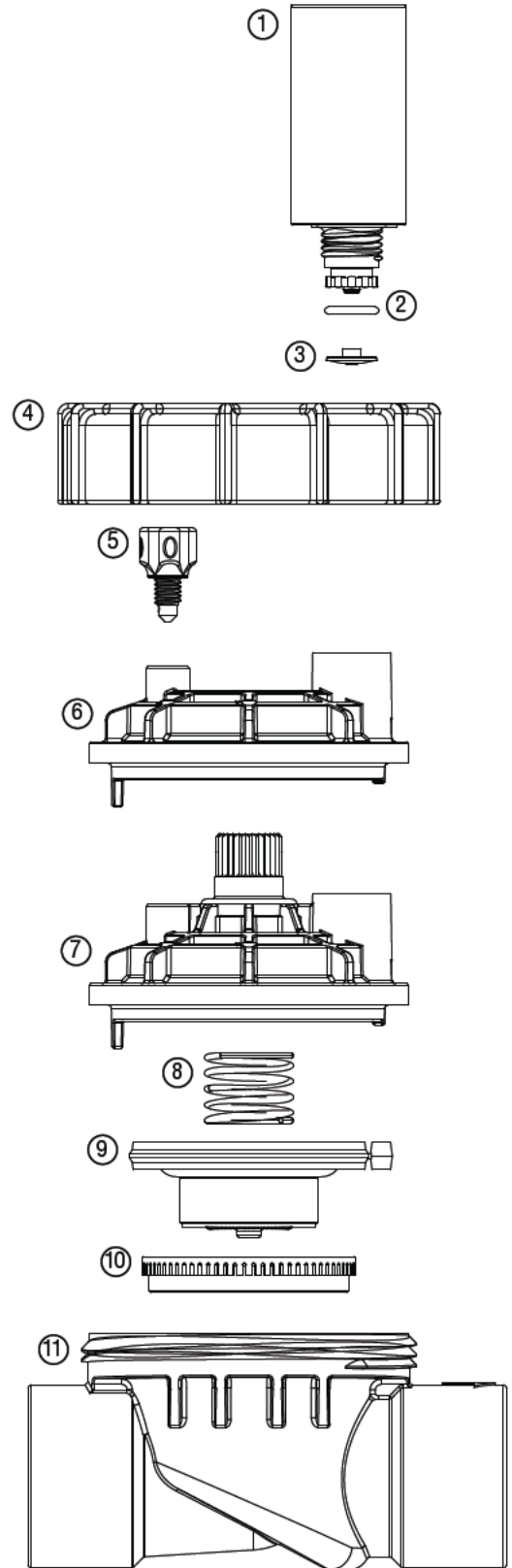
# PGV-100G/101G: Plastic Valves

Item	Description	Catalog No.
①	Solenoid Assembly	AC Solenoid 606800
	(Includes Parts 2 & 3)	DC Solenoid 458200
②	O-Ring	262600
③	Solenoid Seal	364400
④	Bonnet Screw	427300
⑤	Bleed Screw	546700
⑥	Bonnet without Flow Control with Bleed Screw	556100
⑦	Bonnet with Flow Control & Bleed Screw	556000
⑧	Diaphragm Spring	266000
⑨	Diaphragm Assembly	332100
⑩	Diaphragm Support Ring	331300
⑪	Body	Female, NPT Thread 457700
		Female, BSP Thread 457705
		Female, Slip x Slip 457710
		Male x Male, NPT 433400
		Male x Male, BSP 433405
		Male x Barb, NPT 460700
		Male x Barb, BSP 460705
		Male x Barb, 1¼" 604800
⑫	Flow Control Handle	Black 269200
		Purple 269205



# PGV Jar-Top: Plastic Valve

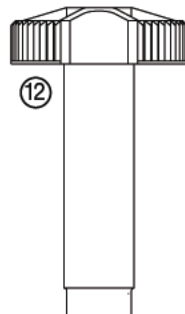
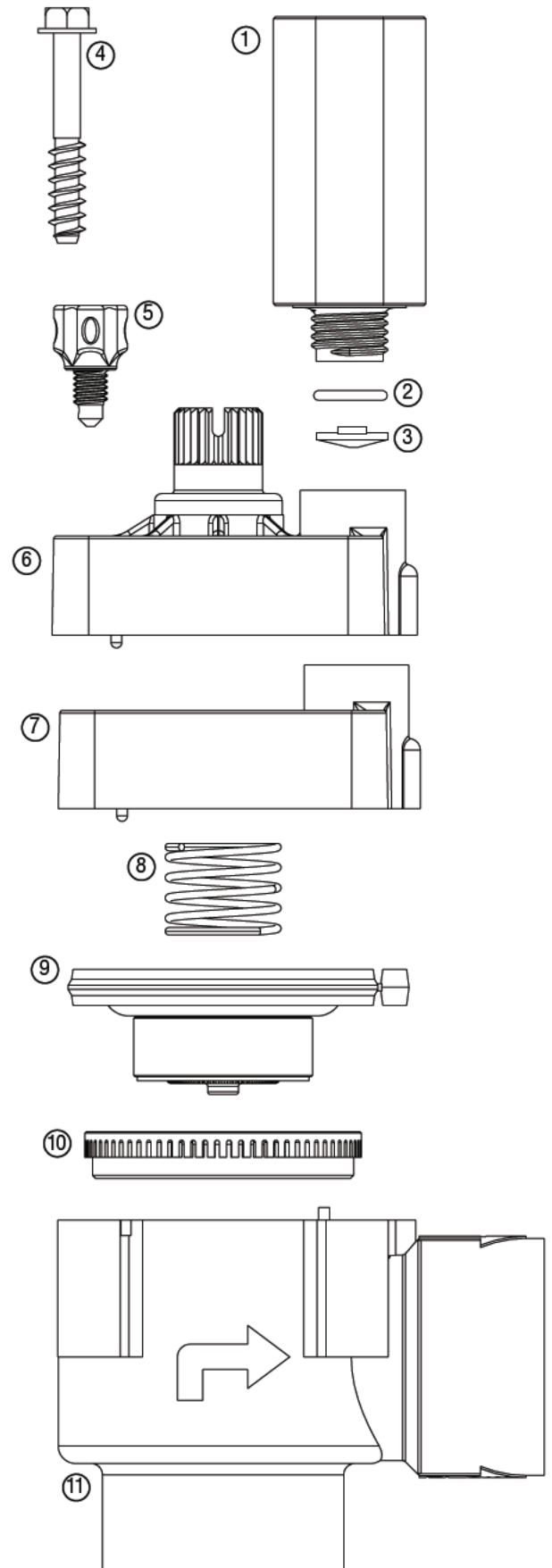
Item	Description	Catalog No.	
①	Solenoid Assembly <i>(Includes Parts 2 &amp; 3)</i>	AC Solenoid	606800
		DC Solenoid	458200
②	O-Ring	262600	
③	Solenoid Seal	364400	
④	Bonnet Ring	476100	
⑤	Bleed Screw	546700	
⑥	Bonnet Assembly <i>(No Flow Control)</i>	476700	
⑦	Bonnet Assembly <i>(With Flow Control)</i>	476800	
⑧	Diaphragm Spring	266000	
⑨	Diaphragm Assembly	332100	
⑩	Diaphragm Support Ring	331300	
⑪	Body	Female NPT	476300
		Female Slip x Female Slip	476310
		MPT x MPT	476600
		Male x 3/4" Poly Barb	612200
		Male x 1" Poly Barb	476200
		Male x 1 1/4" Poly Barb	477300
		Female, BSP	476305
		Male x Male, BSP	476605
		Male x 1" Poly Barb, BSP	476205
⑫	Flow Control Handle	Black	269200
		Purple	269205





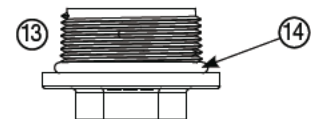
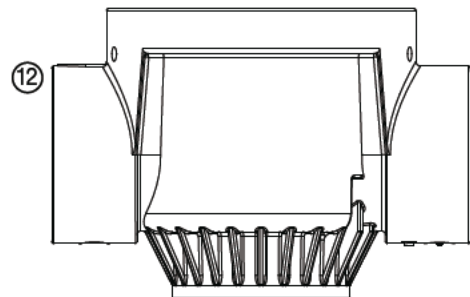
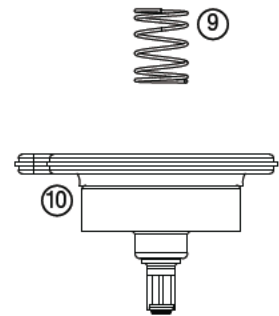
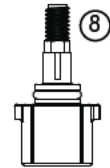
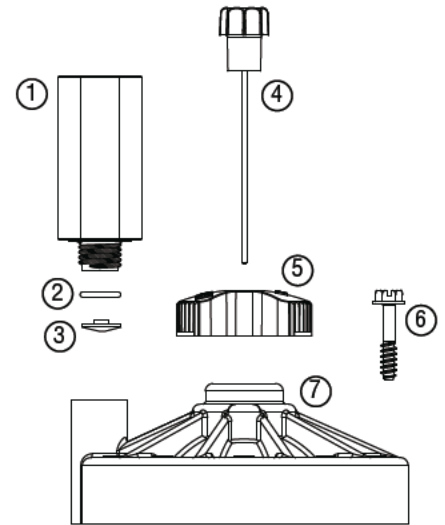
# PGV-100A/I01A: Plastic Valves

Item	Description	Catalog No.	
①	Solenoid Assembly <i>(Includes Parts 2 &amp; 3)</i>	AC Solenoid	606800
		DC Solenoid	458200
②	O-Ring	262600	
③	Solenoid Seal	364400	
④	Bonnet Screw	427300	
⑤	Bleed Screw	546700	
⑥	Bonnet with Flow Control & Bleed Screw	556000	
⑦	Bonnet without Flow Control w/ Bleed Screw	556100	
⑧	Diaphragm Spring	266000	
⑨	Diaphragm Assembly	332100	
⑩	Diaphragm Support Ring	331300	
⑪	Body	407000	
⑫	Flow Control Handle	Black	269200
		Purple	269205



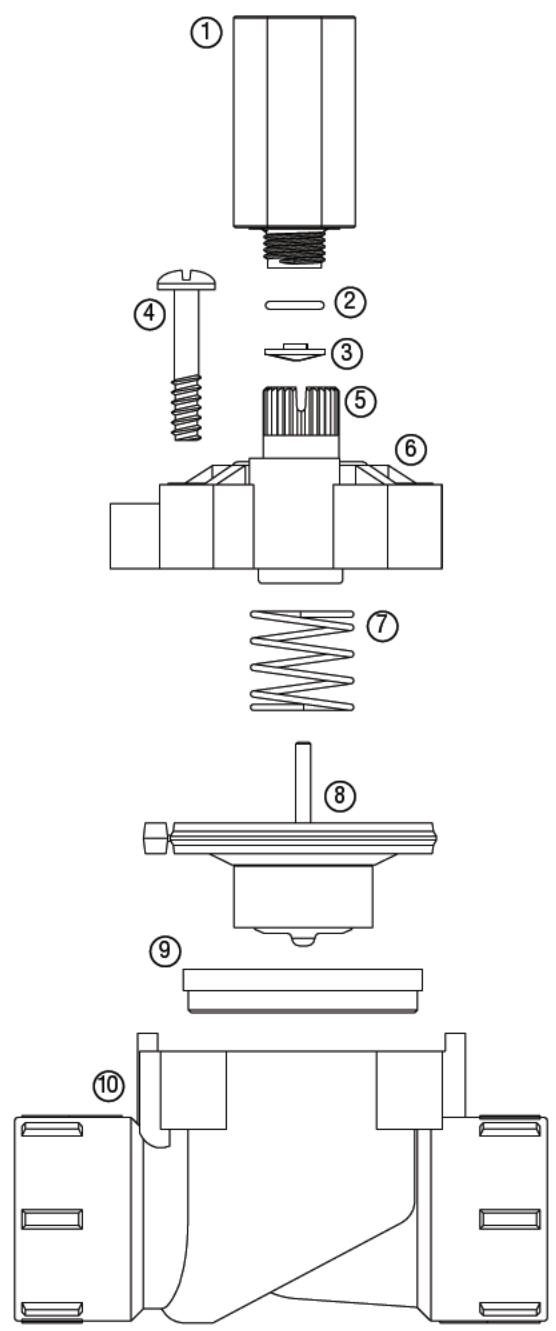
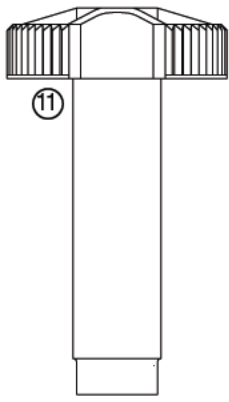
# PGV-151G, 201G: Plastic Valves

Item	Description	Catalog No.	
①	Solenoid Assembly <i>(Includes Parts 2 &amp; 3)</i>	AC Solenoid	606800
		DC Solenoid	458200
②	O-Ring	262600	
③	Solenoid Seal	364400	
④	Bleed Screw Assembly		561500
		Bleed Screw Assembly 201	427100
		Bleed Screw Assembly 151	427000
⑤	Flow Control Handle	Black	607100
		Purple	607105
	Flow Control Handle <i>old style (w/o bleed assembly)</i>	Black	412700
		Purple	412705
⑥	Bonnet Screw	472800	
⑦	Bonnet	1½"	414000
		2"	415500
⑧	Flow Control Stem	1½"	421500
		2"	414600
⑨	Spring	1½"	412300
		2"	414200
⑩	Diaphragm Assembly	1½"	414100
		2"	415600
⑪	Diaphragm Support	1½"	413100
		2"	414800
⑫	Body	1½" NPT	433200
		1½" BSP	433205
		2" NPT	433300
		2" BSP	433305
⑬	Body Plug without O-Ring	1½" NPT	413800
		1½" BSP	413805
		2" NPT	415300
		2" BSP	415305
⑭	Plug O-Ring	1½"	413900
		2"	415400



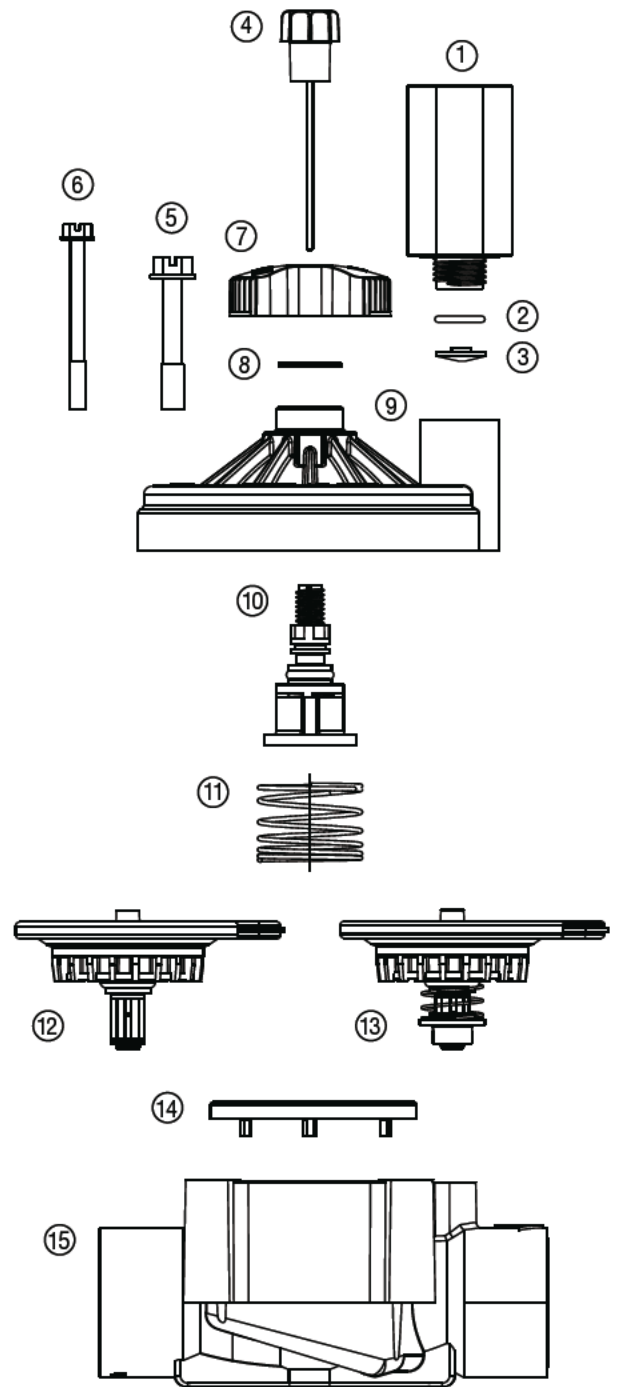
# HPV: Plastic Valve

Item	Description	Catalog No.	
①	Solenoid Assembly <i>(Includes Parts 2 &amp; 3)</i>	AC Solenoid	606800
		DC Solenoid	458200
②	O-Ring	262600	
③	Solenoid Seal	364400	
④	Bonnet Screw	266100	
⑤	Bonnet with Flow Control	266702	
⑥	Bonnet without Flow Control	266602	
⑦	Diaphragm Spring	266000	
⑧	Diaphragm Assembly	266902	
⑨	Diaphragm Support Ring	265000	
⑩	Body	Globe, NPT Thread	296605
		Globe, BSP Thread	296610
		Globe, Slip	296615
		Angle, NPT Thread <i>(Not Shown)</i>	339600
		Angle, BSP Thread <i>(Not Shown)</i>	339605
⑪	Flow Control Handle	Black	269200
		Purple	269205



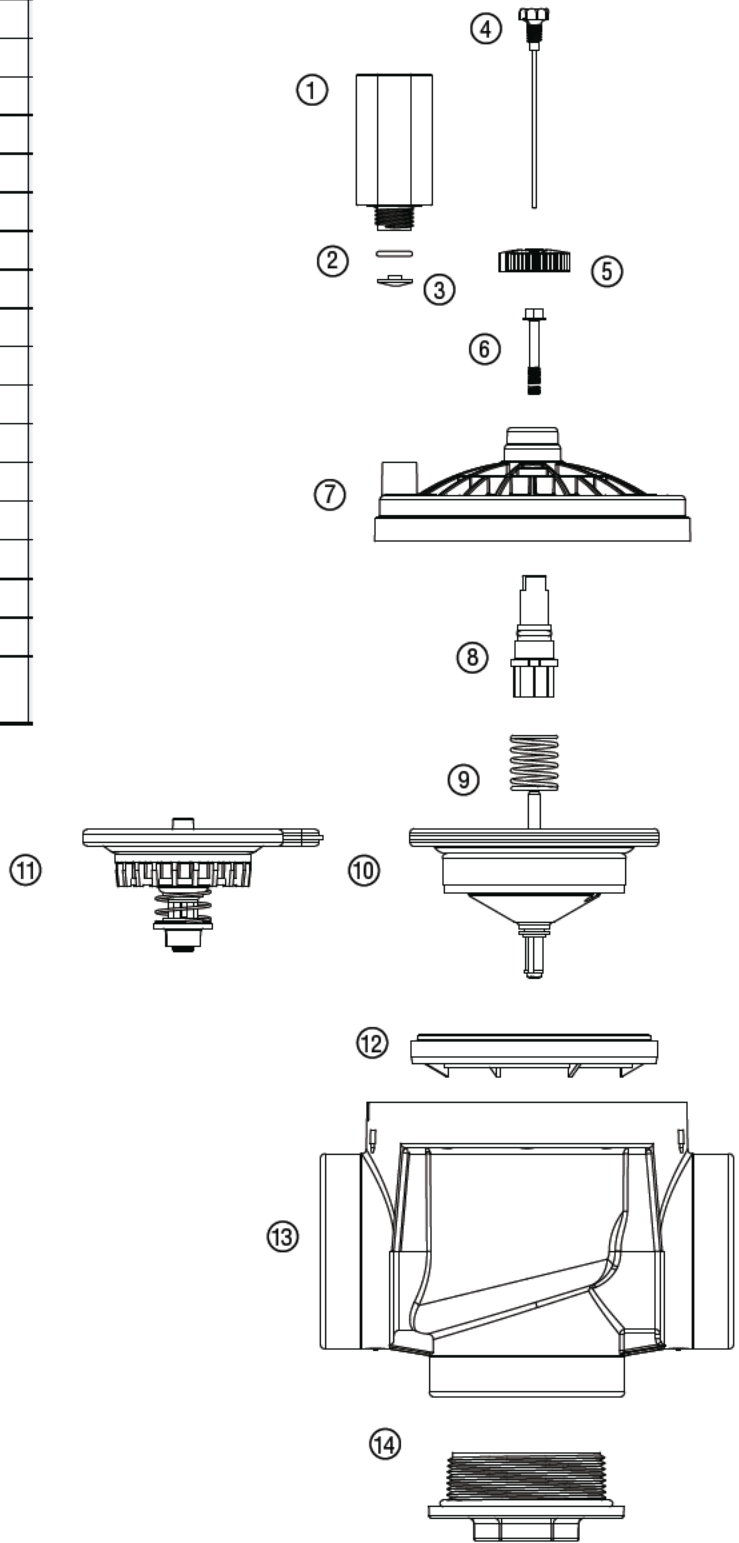
## ICV-101G, 151G & 201G: Plastic Valves

Item	Description	Catalog No.	
①	Solenoid Assembly (Includes Parts 2 & 3)	AC Solenoid	606800
		DC Solenoid	458200
②	O-Ring	262600	
③	Solenoid Seal	364400	
④	Bleed Assembly (1", 1½", 2" Models)	1"	561400
		1½" & 2"	561500
⑤	Bonnet Bolt (1" Model)	386900	
⑥	Bonnet Bolt (1½" & 2" Models)	366700	
⑦	Flow Control Handle	Black	561200
		Purple	561205
	Flow Control Handle (Previous style)	Black	385900
		Purple	385905
⑧	E-Clip Retainer	1"	387200
		1½" & 2"	371600
⑨	Bonnet Assembly	1"	387700
		1½" & 2"	380600
⑩	Flow Control Stem Assembly	1"	387900
		1½" & 2"	374600
⑪	Spring	1"	386700
		1½" & 2"	365400
⑫	Diaphragm Assembly – Standard	1"	387800
		1½" & 2"	374500
⑬	Diaphragm Assembly with Filter Sentry Mechanism	1"	461503
		1½" & 2"	461818
⑭	Diaphragm Support Ring	1"	385700
		1½" & 2"	365900
⑮	Body	1" NPT	387600
		1" BSP	387605
		1½" NPT	384800
		1½" BSP	374805
		2" NPT	374400
		2" BSP	365505
⑯	Filter Sentry/Reclaimed (Purple) Tag (not shown)	700392	



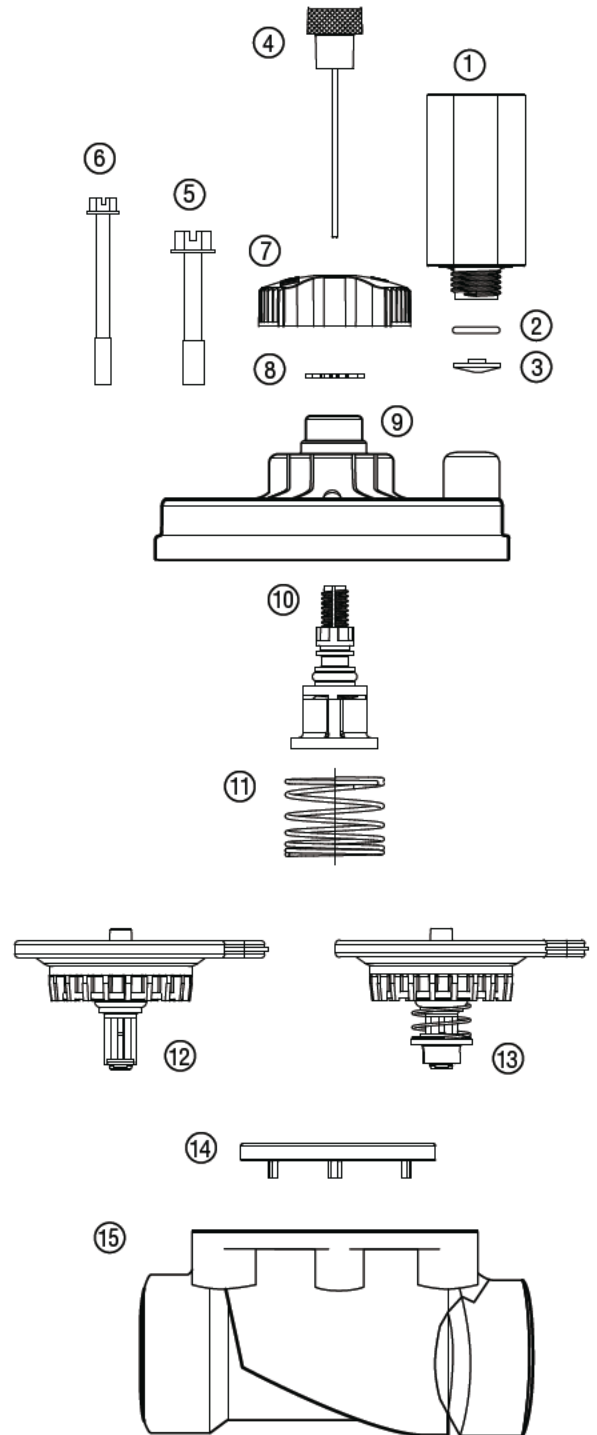
# ICV-301: Plastic Valve

Item	Description	Catalog No.
①	Solenoid Assembly <i>(Includes Parts 2 &amp; 3)</i>	AC Solenoid 606800
		DC Solenoid 458200
②	O-Ring	262600
③	Solenoid Seal	364400
④	Bleed Assembly	518800
⑤	Flow Control Knob	Black 515000
		Purple 515005
⑥	Bonnet Bolt	386900
⑦	Bonnet Assembly	519100
⑧	Flow Control Stem Assembly	516100
⑨	Diaphragm Spring	518000
⑩	Diaphragm Assembly	518900
⑪	Filter Sentry Diaphragm Assembly	518905
⑫	Diaphragm Support	514600
⑬	Body Assembly	NPT 514400
		BSP 514405
⑭	Port Plug Assembly including O-Ring	NPT 514900
		BSP 514905
⑮	Filter Sentry/Reclaimed (Purple) Tag <i>(not shown)</i>	700392



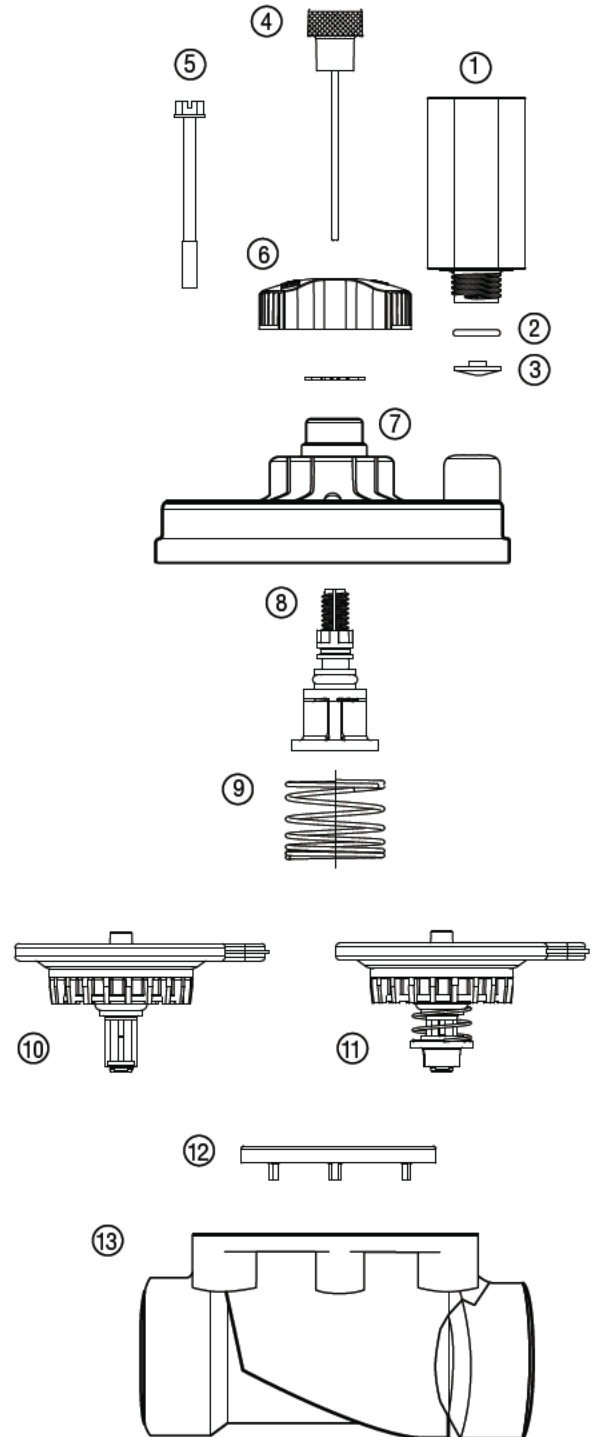
# IBV-101G, 151G & 201G: Brass Valves

Item	Description	Catalog No.	
①	Solenoid Assembly <i>(Includes Parts 2 &amp; 3)</i>	AC Solenoid	606800
		DC Solenoid	458200
②	O-Ring	262600	
③	Solenoid Seal	364400	
④	Bleed Assembly <i>(1", 1½", 2" Models)</i>	1"	211100
		1½" & 2"	211200
⑤	Bonnet Bolt <i>(1" Model)</i>	669000	
⑥	Bonnet Bolt <i>(1½" &amp; 2" Models)</i>	669000	
⑦	Flow Control Handle	Brass	211400
⑧	E-Clip Retainer	1"	387200
		1½" & 2"	371600
⑨	Bonnet	1"	212000
		1½" & 2"	212200
⑩	Flow Control Stem	1"	662900
		1½" & 2"	663000
⑪	Spring	1"	386700
		1½" & 2"	365400
⑫	Diaphragm Assembly - Standard	1"	387800
		1½" & 2"	374500
⑬	Diaphragm Assembly with Filter Sentry Mechanism	1"	461503
		1½" & 2"	461818
⑭	Diaphragm Support	1"	385700
		1½" & 2"	365900
⑮	Body	1" NPT	212400
		1" BSP	212405
		1½" NPT	212500
		1½" BSP	212505
		2" NPT	212600
⑯	Filter Sentry/Reclaimed (Purple) Tag <i>(not shown)</i>	700392	

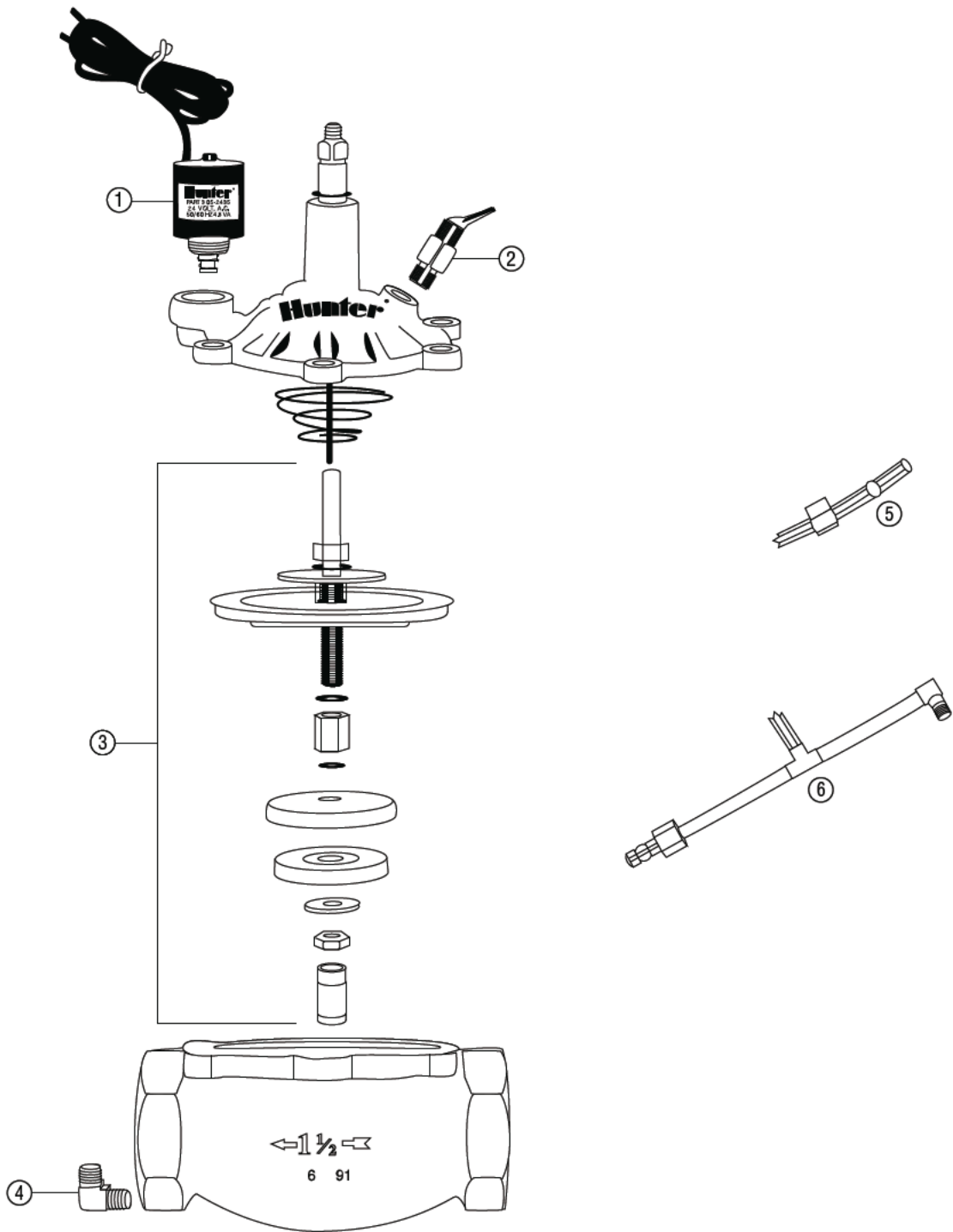


# IBV-30IG: Brass Valves

Item	Description	Catalog No.	
①	Solenoid Assembly <i>(Includes Parts 2 &amp; 3)</i>	AC Solenoid	606800
		DC Solenoid	458200
②	O-Ring	262600	
③	Solenoid Seal	364400	
④	Bleed Assembly <i>(3" Model)</i>	3"	211300
⑤	Bonnet Bolt <i>(3" Model)</i>		669000
⑥	Flow Control Handle	Brass	211400
⑦	Bonnet Assembly	3"	212300
⑧	Flow Control Stem	3"	665600
⑨	Spring	1"	518000
⑩	Diaphragm Assembly - Standard	3"	518900
⑪	Diaphragm Assembly with Filter Sentry Mechanism	3"	518905
⑫	Diaphragm Support	3"	514600
⑬	Body	3" NPT	212800
		3" BSP	212805
⑭	Filter Sentry/Reclaimed (Purple) Tag <i>(not shown)</i>		700392



# HBV: Brass Valve





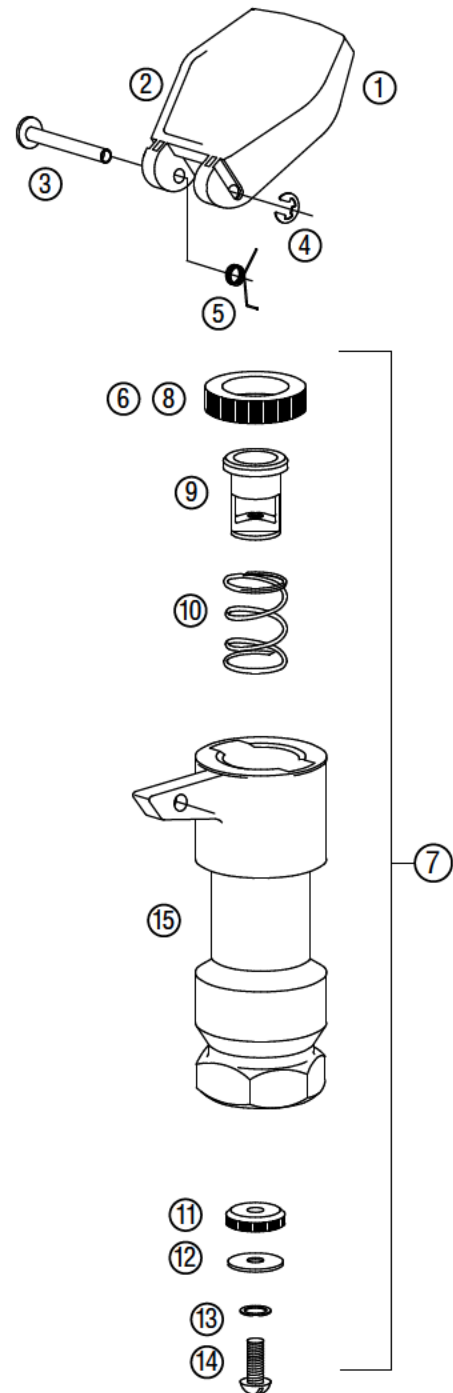
## HBV: Brass Valve

---

Item	Description	1" Model	1½" Model	2" Model	3" Model
①	Solenoid-2 Watt Standard w/Plunger	S16304	S16304	S16304	S16304
②	Manual Toggle Valve with Fitting	S16542	S16542	S16542	S16542
③	Diaphragm Assembly	S16212-L	S16214-L	S16215-L	S16216-L
④	L-Fitting	S16500	S16500	S16500	S16500
⑤	Exterior Tubing w/ Brass Insert (Standard Valves)	S16499	S16498	S16498	S16498
⑥	Exterior Tubing, PR Valves	S16513	S16514	S16514	S16515

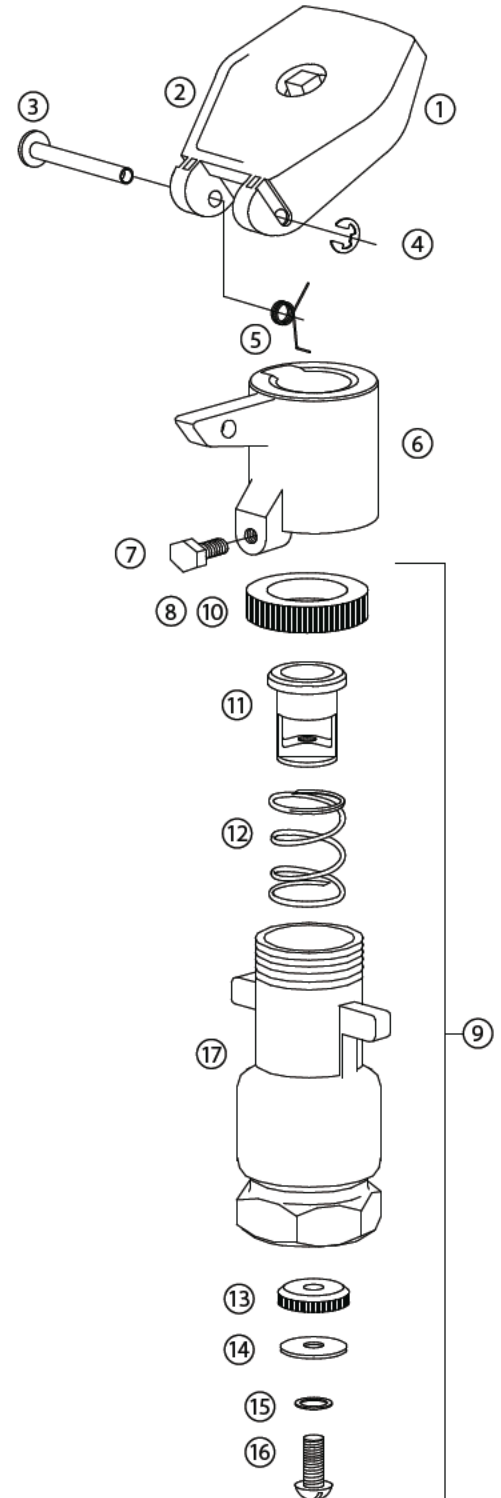
# HQ3RC: Quick Coupler Valve

Item	Description	Catalog No.	Price
①	Cover Kit - Yellow Non-Locking <i>(Includes items 2-5)</i>	150700	
②	Cover - Yellow Non-Locking <i>(Use item #1 above)</i>	N/A	N/A
③	Hinge Pin - <i>(Use 7/32" x 2" stainless steel bolt)</i>	N/A	N/A
④	Retainer - Hinge Pin <i>(Use 7/32" stainless steel nylock nut)</i>	N/A	N/A
⑤	Spring - Cover Retraction <i>(Use item #1 above)</i>	N/A	N/A
⑥	Seal Kit - Upper <i>(Includes 25 each item #8)</i>	103600	
⑦	Seal Kit - Complete <i>(Includes items 8-14)</i>	149500	
⑧	Upper Seal <i>(Use item 6 or 7 above)</i>	N/A	N/A
⑨	Plunger <i>(Use item 7 above)</i>	N/A	N/A
⑩	Spring <i>(Use item 7 above)</i>	N/A	N/A
⑪	Seat <i>(Use item 7 above)</i>	N/A	N/A
⑫	Washer - Stainless steel <i>(Use item 7 above)</i>	N/A	N/A
⑬	Washer - Fiber <i>(Use item 7 above)</i>	N/A	N/A
⑭	Screw - Stainless steel <i>(Use item 7 above)</i>	N/A	N/A
⑮	Body - Brass <i>(Use new quick coupler, eg: HQ3RC)</i>	N/A	N/A



# HQ33RC, HQ33LRC, HQ33LRCR: Quick Coupler Valve

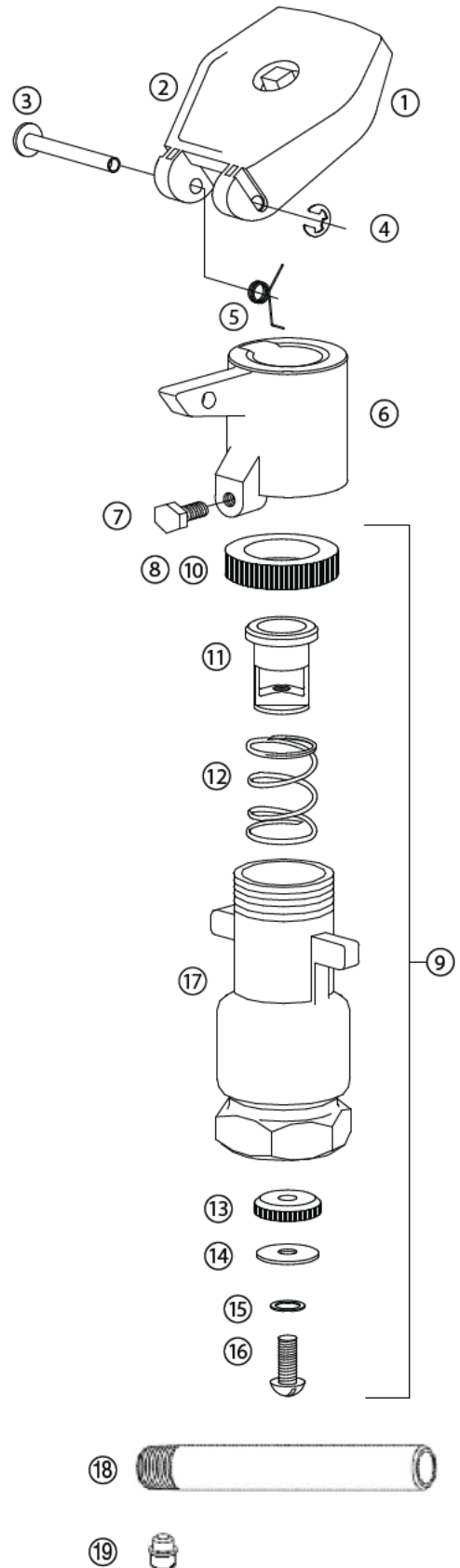
Item	Description	Catalog No.	Price
①	Cover Kit - Yellow Non-Locking <i>(Includes items 2–5)</i>	150700	
	Cover Kit - Yellow Locking <i>(Includes items 2–5)</i>	158300	
	Cover Kit - Purple Locking <i>(Includes items 2–5)</i>	168000	
②	Cover - Yellow Non-Locking <i>(Use item #1 above)</i>	N/A	N/A
	Cover - Yellow Locking <i>(Use item #1 above)</i>	N/A	N/A
	Cover - Purple Locking <i>(Use item #1 above)</i>	N/A	N/A
③	Hinge Pin <i>(Use 7/32" x 2" stainless steel bolt)</i>	N/A	N/A
④	Retainer - Hinge Pin <i>(Use 7/32" x 2" stainless steel nylock bolt)</i>	N/A	N/A
⑤	Spring - Cover Retraction <i>(Use item #1 above)</i>	N/A	N/A
⑥	Upper Body Kit - Brass <i>(Includes items 6–7)</i>	169500	
⑦	Lock Bolt - Stainless Steel <i>(Use 1/4" x 1")</i>	N/A	N/A
⑧	Seal Kit - Upper <i>(Includes 25 each item #10)</i>	168100	
⑨	Seal Kit - Complete <i>(Includes items 10–16)</i>	168200	
⑩	Upper Seal - <i>(Use item 8 or 9 above)</i>	N/A	N/A
⑪	Plunger - <i>(Use item 9 above)</i>	N/A	N/A
⑫	Spring - <i>(Use item 9 above)</i>	N/A	N/A
⑬	Seat - <i>(Use item 9 above)</i>	N/A	N/A
⑭	Washer - Stainless Steel <i>(Use item 9 above)</i>	N/A	N/A
⑮	Washer - Fiber <i>(Use item 9 above)</i>	N/A	N/A
⑯	Screw - Stainless Steel <i>(Use item 9 above)</i>	N/A	N/A
⑰	Body - Brass <i>(Use new quick coupler, e.g: HQ33LRC)</i>	N/A	N/A



# HQ44RC, HQ44LRC, HQ44LRCR: Quick Coupler Valve

Item	Description	Catalog No.	Price
①	Cover Kit - Yellow Non-Locking <i>(Includes items 2–5)</i>	168300	
	Cover Kit - Yellow Locking <i>(Includes items 2–5)</i>	168400	
	Cover Kit - Purple Locking <i>(Includes items 2–5)</i>	168500	
②	Cover - Yellow Non-Locking <i>(Use item #1 above)</i>	N/A	N/A
	Cover - Yellow Locking <i>(Use item #1 above)</i>	N/A	N/A
	Cover - Purple Locking <i>(Use item #1 above)</i>	N/A	N/A
③	Hinge Pin <i>(Use 7/32" x 2" stainless steel bolt)</i>	N/A	N/A
④	Retainer - Hinge Pin <i>(Use 7/32" x 2" stainless steel nylock bolt)</i>	N/A	N/A
⑤	Spring - Cover Retraction <i>(Use item #1 above)</i>	N/A	N/A
⑥	Upper Body Kit - Brass <i>(Includes items 6–7)</i>	169600	
⑦	Lock Bolt - <i>(Use 1/4" x 1" stainless steel)</i>	N/A	N/A
⑧	Seal Kit - Upper <i>(Includes 25 each item #10)</i>	168600	
⑨	Seal Kit - Complete <i>(Includes items 10–16)</i>	168700	
⑩	Upper Seal - <i>(Use item 8 or 9 above)</i>	N/A	N/A
⑪	Plunger - <i>(Use item 9 above)</i>	N/A	N/A
⑫	Spring - <i>(Use item 9 above)</i>	N/A	N/A
⑬	Seat - <i>(Use item 9 above)</i>	N/A	N/A
⑭	Washer - Stainless Steel <i>(Use item 9 above)</i>	N/A	N/A
⑮	Washer - Fiber <i>(Use item 9 above)</i>	N/A	N/A
⑯	Screw - Stainless Steel <i>(Use item 9 above)</i>	N/A	N/A
⑰	Body - Brass <i>(Use new quick coupler, e.g: HQ33LRC)</i>	N/A	N/A

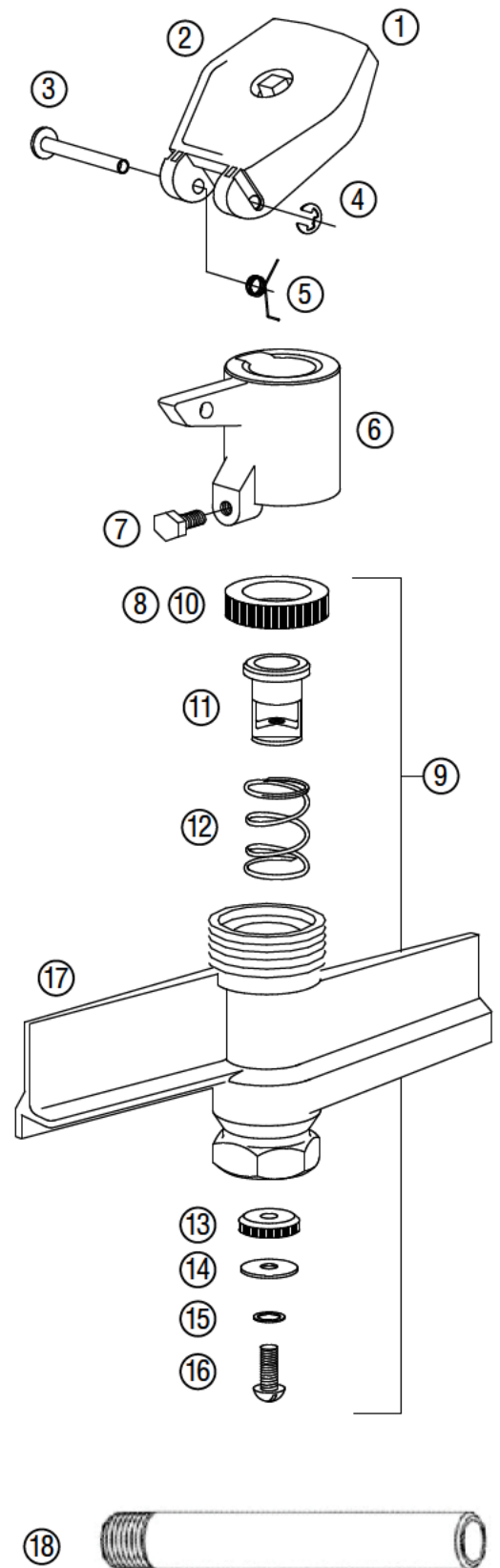
Item	Description	Catalog No.	Price
⑱	Handle Kit - for HK44 Key <i>(includes 10 handles)</i>	169200	
⑲	Lug Kit - for HK44 Key <i>(includes 10 each item #19)</i>	169400	



# HQ44RCAW, HQ44LRCAW, HQ44LRCAWR: Quick Coupler Valve

Item	Description	Catalog No.	Price
①	Cover Kit - Yellow Non-Locking <i>(Includes items 2-5)</i>	168300	
	Cover Kit - Yellow Locking <i>(Includes items 2-5)</i>	168400	
	Cover Kit - Purple Locking <i>(Includes items 2-5)</i>	168500	
②	Cover - Yellow Non-Locking <i>(Use item #1 above)</i>	N/A	N/A
	Cover - Yellow Locking <i>(Use item #1 above)</i>	N/A	N/A
	Cover - Purple Locking <i>(Use item #1 above)</i>	N/A	N/A
③	Hinge Pin <i>(Use 7/32" x 2" stainless steel bolt)</i>	N/A	N/A
④	Retainer - Hinge Pin <i>(Use 7/32" x 2" stainless steel nylock bolt)</i>	N/A	N/A
⑤	Spring - Cover Retraction <i>(Use item #1 above)</i>	N/A	N/A
⑥	Upper Body Kit - Brass <i>(Includes items 6-7)</i>	169700	
⑦	Lock Bolt <i>(Use 1/4" x 1" stainless steel)</i>	N/A	N/A
⑧	Seal Kit - Upper <i>(Includes 25 each item #10)</i>	168600	
⑨	Seal Kit - Complete <i>(Includes items 10-16)</i>	168700	
⑩	Upper Seal - <i>(Use item 8 or 9 above)</i>	N/A	N/A
⑪	Plunger - <i>(Use item 9 above)</i>	N/A	N/A
⑫	Spring - <i>(Use item 9 above)</i>	N/A	N/A
⑬	Seat - <i>(Use item 9 above)</i>	N/A	N/A
⑭	Washer - Stainless Steel <i>(Use item 9 above)</i>	N/A	N/A
⑮	Washer - Fiber <i>(Use item 9 above)</i>	N/A	N/A
⑯	Screw - Stainless Steel <i>(Use item 9 above)</i>	N/A	N/A
⑰	Body - Brass <i>(Use new quick coupler e.g: HQ44RCAW)</i>	N/A	N/A

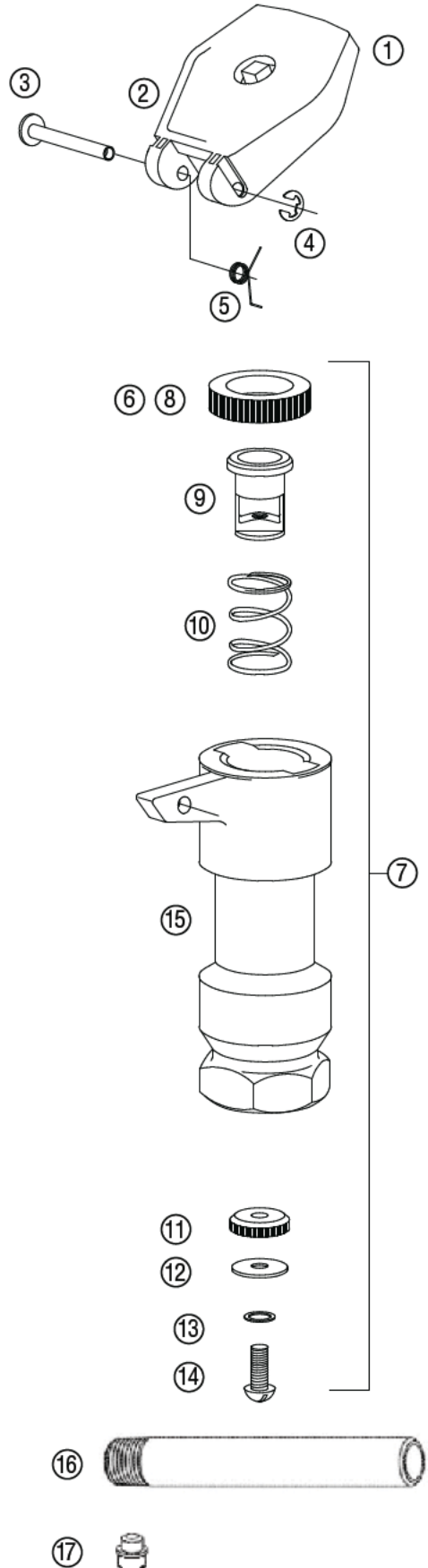
Item	Description	Catalog No.	Price
⑱	Handle Kit - for HK44 Key <i>(Includes 10 handles)</i>	169200	



# HQ5RC, HQ5LRC, HQ5LRCR: Quick Coupler Valve

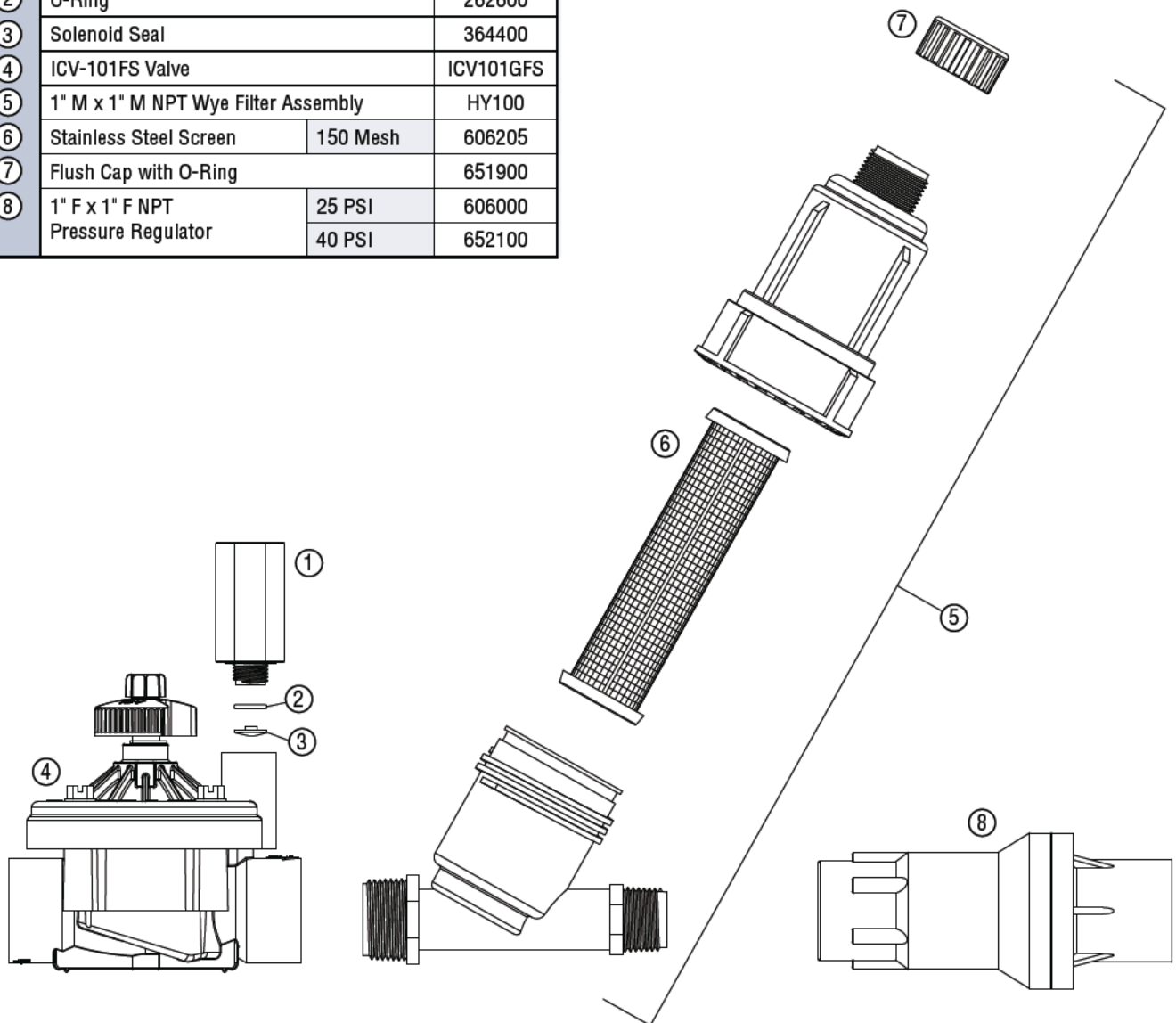
Item	Description	Catalog No.	Price
①	Cover Kit - Yellow Non-Locking <i>(Includes items 2–5)</i>	168300	
	Cover Kit - Yellow Locking <i>(Includes items 2–5)</i>	168800	
	Cover Kit - Purple Locking <i>(Includes items 2–5)</i>	168900	
②	Cover - Yellow Non-Locking <i>(Use item #1 above)</i>	N/A	N/A
	Cover - Yellow Locking <i>(Use item #1 above)</i>	N/A	N/A
	Cover - Purple Locking <i>(Use item #1 above)</i>	N/A	N/A
③	Hinge Pin <i>(Use 7/32" x 2" stainless steel bolt)</i>	N/A	N/A
④	Retainer - Hinge Pin <i>(Use 7/32" x 2" stainless steel nylock bolt)</i>	N/A	N/A
⑤	Spring - Cover Retraction <i>(Use item #1 above)</i>	N/A	N/A
⑥	Seal Kit - Upper <i>(Includes 25 each item #8)</i>	169000	
⑦	Seal Kit - Complete <i>(Includes items 8–14)</i>	169100	
⑧	Upper Seal - <i>(Use item 6 or 7 above)</i>	N/A	N/A
⑨	Plunger - <i>(Use item 7 above)</i>	N/A	N/A
⑩	Spring - <i>(Use item 7 above)</i>	N/A	N/A
⑪	Seat - <i>(Use item 7 above)</i>	N/A	N/A
⑫	Washer - Stainless Steel <i>(Use item 7 above)</i>	N/A	N/A
⑬	Washer - Fiber <i>(Use item 7 above)</i>	N/A	N/A
⑭	Screw - Stainless Steel <i>(Use item 7 above)</i>	N/A	N/A
⑮	Body - Brass <i>(Use new quick coupler e.g. HQ5RC/HQ5RCB)</i>	N/A	N/A

Item	Description	Catalog No.	Price
⑯	Handle Kit - for HK55 Key <i>(Includes 10 handles)</i>	169300	
⑰	Lug Kit - for HK55 Key <i>(Includes 10 each item #17)</i>	169400	



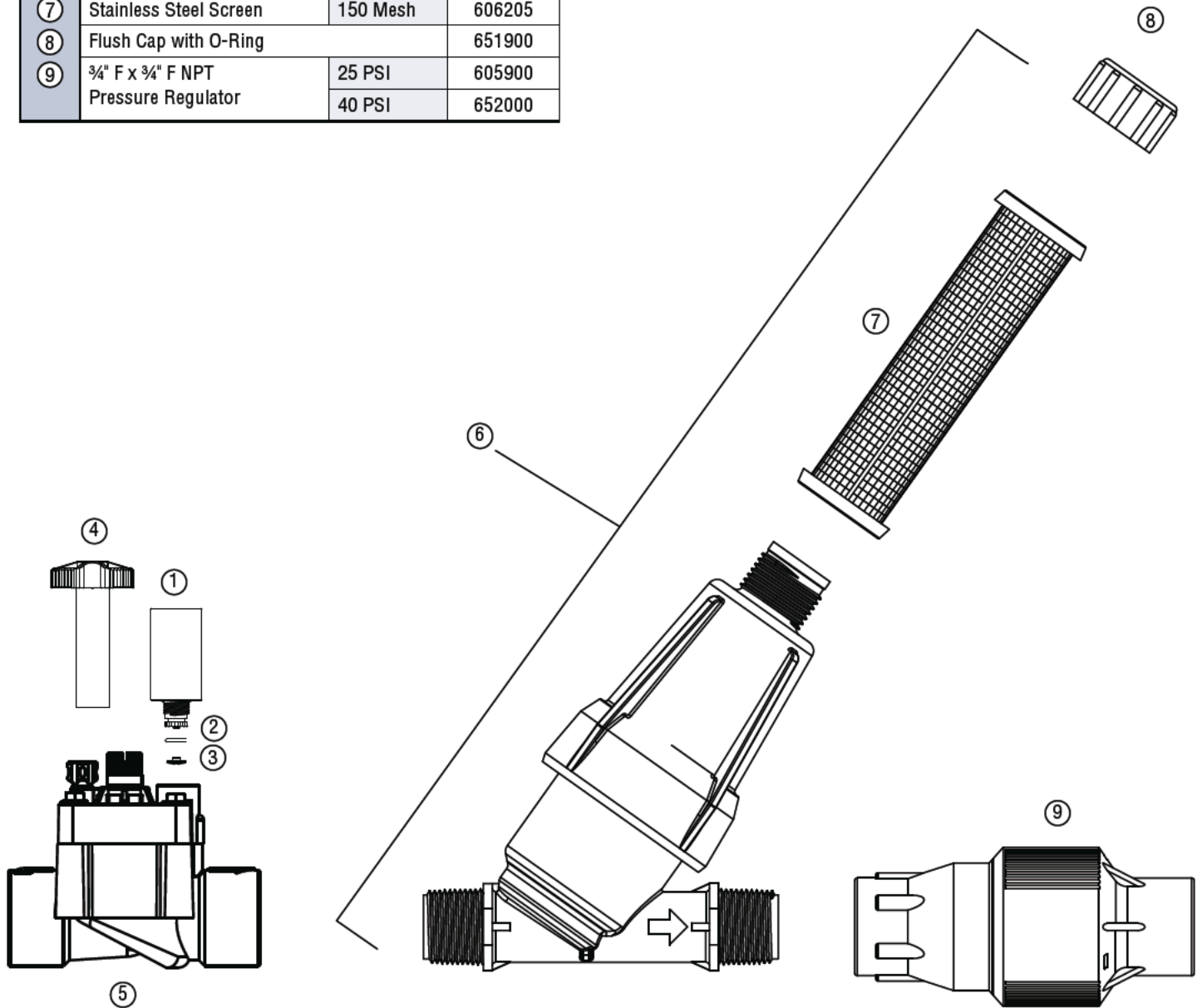
## ICZ-101: Drip Control Zone Kit

Item	Description	Catalog No.	
①	Solenoid Assembly (Includes parts 2 & 3)	AC Solenoid	606800
		DC Solenoid	458200
②	O-Ring	262600	
③	Solenoid Seal	364400	
④	ICV-101FS Valve	ICV101GFS	
⑤	1" M x 1" M NPT Wye Filter Assembly	HY100	
⑥	Stainless Steel Screen	150 Mesh	606205
⑦	Flush Cap with O-Ring	651900	
⑧	1" F x 1" F NPT Pressure Regulator	25 PSI	606000
		40 PSI	652100



# PCZ-101: Drip Zone Control Kit

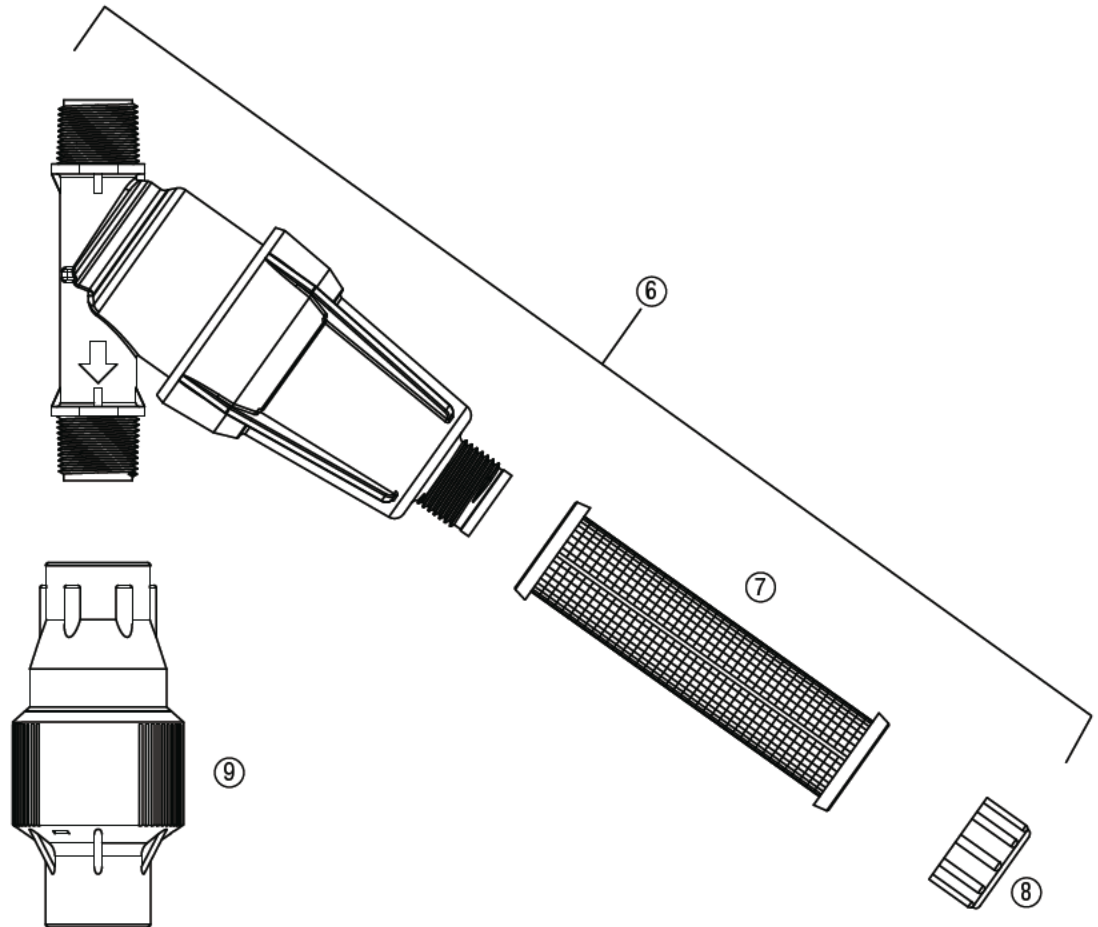
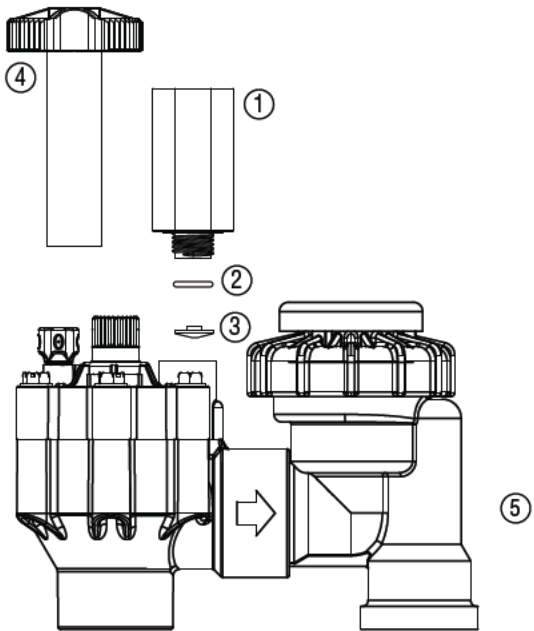
Item	Description	Catalog No.
①	Solenoid Assembly	AC Solenoid 606800
	(Includes parts 2 & 3)	DC Solenoid 458200
②	O-Ring	262600
③	Solenoid Seal	364400
④	Handle Flow Control	Black 269200
		Purple 269205
⑤	PGV101G Valve	PGV101G
⑥	1" M x 3/4" M NPT Wye Filter Assembly	HY10075
⑦	Stainless Steel Screen	150 Mesh 606205
⑧	Flush Cap with O-Ring	651900
⑨	3/4" F x 3/4" F NPT Pressure Regulator	25 PSI 605900
		40 PSI 652000





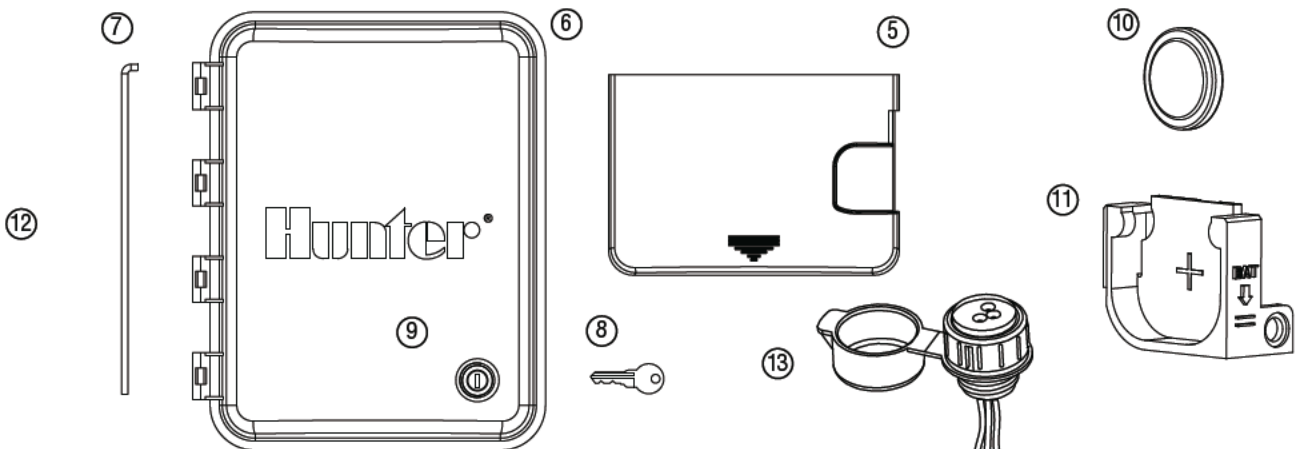
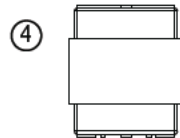
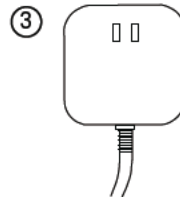
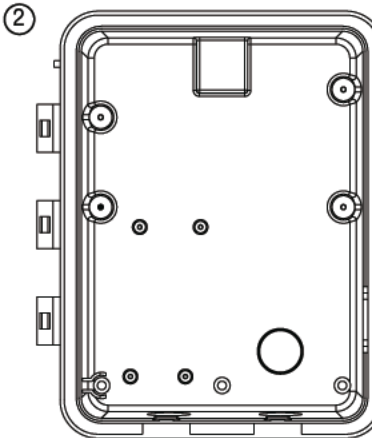
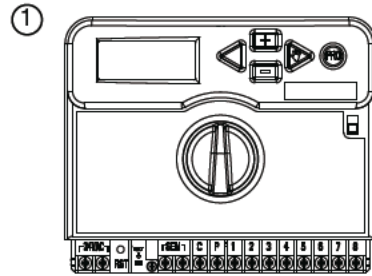
# ACZ-075: Drip Control Zone Kit

Item	Description	Catalog No.	
①	Solenoid Assembly <i>(Includes parts 2 &amp; 3)</i>	AC Solenoid	434100
		DC Solenoid	458200
②	O-Ring	262600	
③	Solenoid Seal	364400	
④	Handle Flow Control	Black	269200
		Purple	269205
⑤	¾" PGV-ASV Valve	PGV-075-ASV	
⑥	¾" M x ¾" M NPT Wye Filter Assembly	HY075	
⑦	Stainless Steel Screen	100 Mesh	606200
		150 Mesh	606205
⑧	Flush Cap with O-Ring	651900	
⑨	¾" F x ¾" F NPT Pressure Regulator	25 PSI	605900
		40 PSI	652000



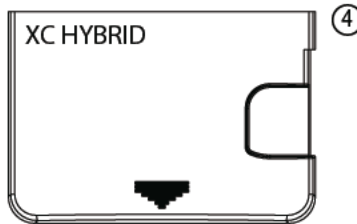
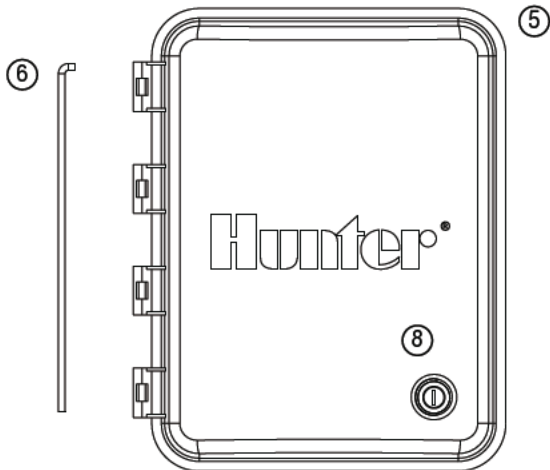
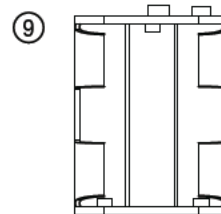
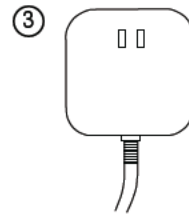
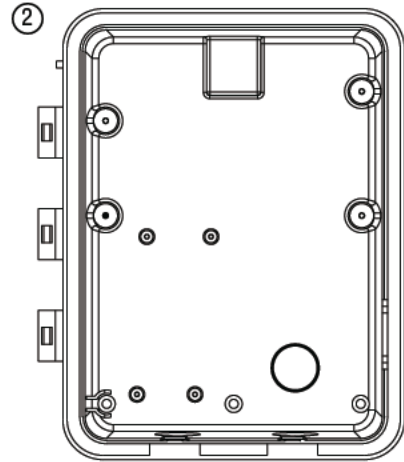
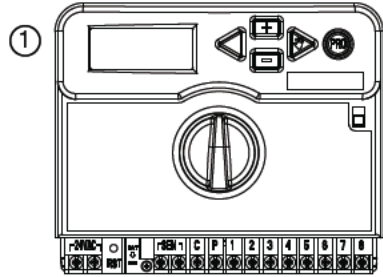
# XC Controller: Residential Controller

Item	Description	Catalog No.	
①	Front Panel ( <i>Outdoor &amp; Indoor</i> )	2-Station	625802
		4-Station	625804
		6-Station	625806
		8-Station	625808
②	Cabinet	527100	
③	Indoor Transformer	120/24VAC (U.S.)	526500
		230/24VAC (European)	545700
		240/24VAC (Australian)	545500
④	Outdoor Transformer	120/24VAC (U.S.)	468000
		230/24VAC (European)	545800
		240/24VAC (Australian)	545600
⑤	Access Door	Indoor Model	471020
		Outdoor Model	471010
⑥	Front Door	428000	
⑦	Front Door Hinge Pin	429200	
⑧	Key Set (2)	122516	
⑨	Lock & Key Set	387300	
⑩	3-Volt Lithium Battery ( <i>CR2032</i> )	622032	
⑪	Battery Holder	627800	
⑫	Cabinet Assembly (Includes Cabinet, Front Door, Door Pin, and Lock and Key Set)	213000	
⑬	SmartPort® Wiring Harness	6' Wire (pack of 50)	ROAMWH
		25' Wire - Shielded	SRR-SCWH
	Owner's Manual	English, Spanish, French, Italian, German, Portuguese, Turkish	LIT-397
	Faceplate Overlay	Spanish	INT-578
		French	INT-577
		Italian	INT-579
		German	INT-580
		Portuguese	INT-571



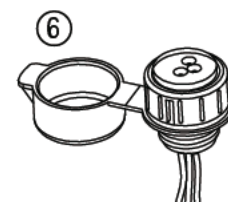
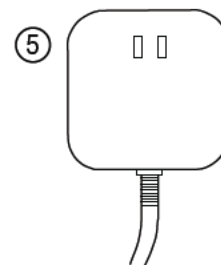
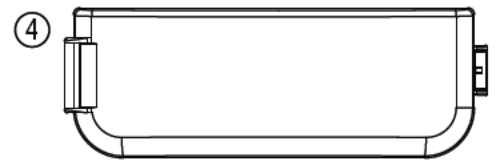
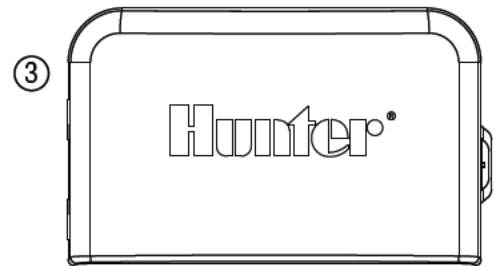
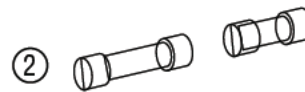
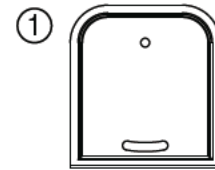
# XC Hybrid Controller: Residential Controller (Battery Operated)

Item	Description	Catalog No.	
①	Front Panel ( <i>Outdoor &amp; Indoor</i> )	4-Station	152515
		6-Station	152520
		8-Station	152525
		10-Station	152500
		12-Station	152505
②	Cabinet	527100	
③	Indoor Transformer ( <i>Optional</i> )	120/24VAC (U.S.)	526500
		230/24VAC (European)	545700
		240/24VAC (Australian)	545500
④	Access Door	Outdoor Model	471010
⑤	Front Door		428000
⑥	Front Door Hinge Pin		429200
⑦	Key Set (2)		122516
⑧	Lock & Key Set		387300
⑨	Battery Holder ( <i>6AA Not Included</i> )		152105
	Owner's Manual	English, Spanish, French, Italian, German	LIT-459
	Faceplate Overlay	Spanish	INT-649
		French	INT-650
		Italian	INT-651
		German	INT-653
		Portuguese	INT-652



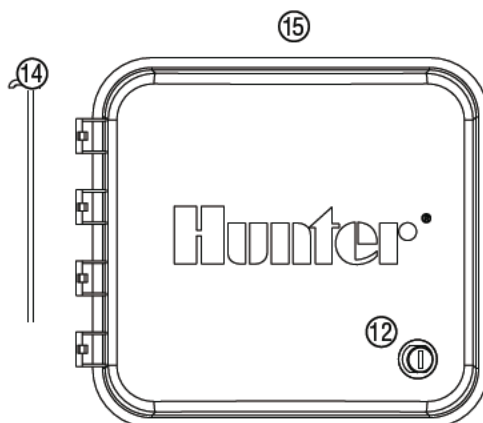
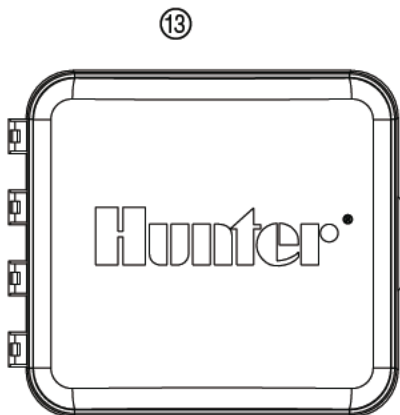
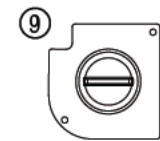
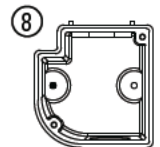
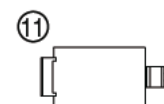
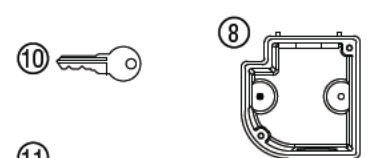
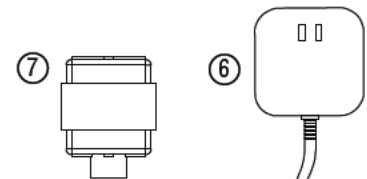
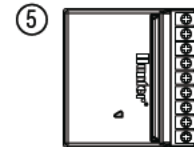
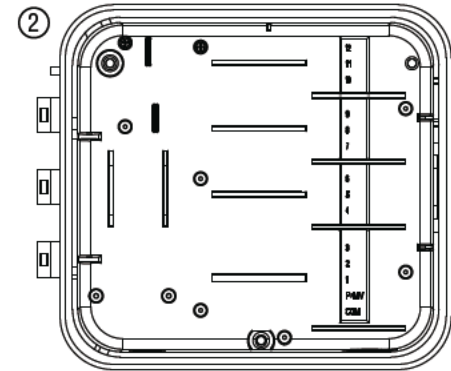
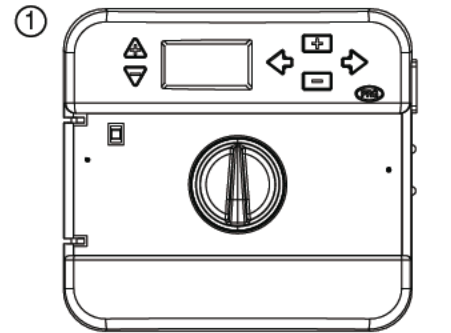
## SRC Plus: Residential/Light Commercial Controller

Item	Description	Catalog No.	
①	Mounting Plate	213354	
②	Fuses (Required for SRCs mfg. prior to Jan 2004)	Long 1¼", 0.75A	142845
		Short 5 x 20 mm, 0.8A	143154
③	Door	217389	
④	Terminal Cover Door	213243	
⑤	Transformer Plug-In	120/24VAC (U.S.)	153263
		220VAC/50Hz (Export)	153400
⑥	SmartPort® Wiring Harness	6' Wire (pack of 50)	ROAMWH
		25' Wire - Shielded	SRR-SCWH
	Owner's Manual	English	LIT-185
	International Labeling Kit (Includes Faceplate Label, Door Instruction Sticker, and Owner's Manual)	French	INT-260
		Spanish	INT-261
		Italian	INT-262



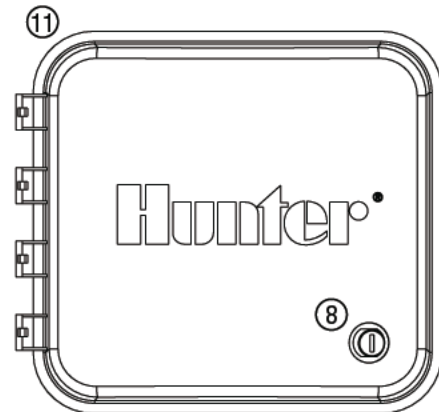
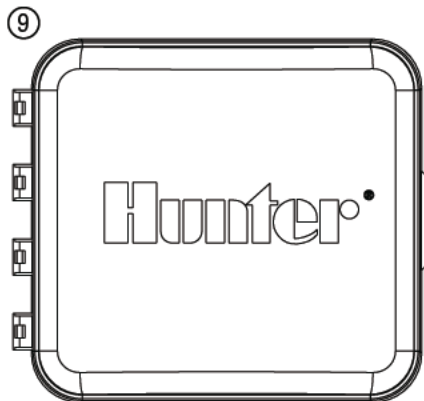
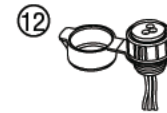
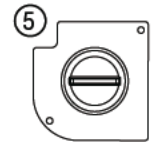
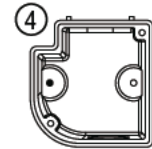
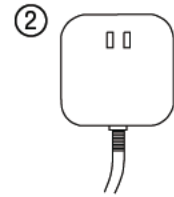
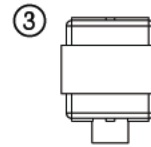
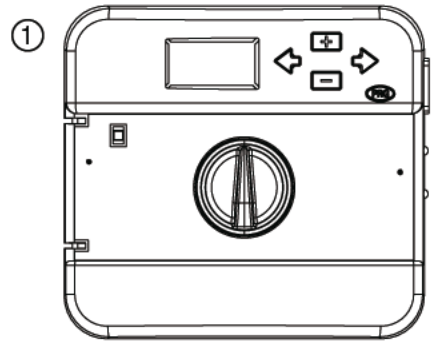
## Pro-C: Indoor and Outdoor Controller

Item	Description	Catalog No.	
①	Front Panel	526200	
②	Cabinet	Indoor Unit	463200
		Outdoor Unit	462800
③	Main Module	466500	
④	3-Station Module	PCM-300	
⑤	9-Station Module	PCM-900	
⑥	Indoor Transformer	120/24VAC (U.S.)	526500
		230/24VAC (European)	545700
		240/24VAC (Australian)	545500
⑦	Outdoor Transformer	120/24VAC (U.S.)	468000
		230/24VAC (European)	545800
		240/24VAC (Australian)	545600
⑧	Junction Box	464000	
⑨	Junction Box Cover	464100	
⑩	Key Set (2)	122516	
⑪	Battery Door	462900	
⑫	Lock & Key Set	387300	
⑬	Front Door (Without Lock)	Outdoor Unit	463100
⑭	Front Door Hinge Pin	464400	
⑮	Front Door	Indoor Unit	463300
⑯	SmartPort® Wiring Harness	6' Wire (pack of 50)	ROAMWH
		25' Wire - Shielded	SRR-SCWH
	Owner's Manual	English	LIT-329
	Hanging Card Kit	English	LIT-335
	International Kit (Includes Owner's Manual)	Spanish	INT-451
		French	INT-452
		Italian	INT-453
		German	INT-454
		Portuguese	INT-497



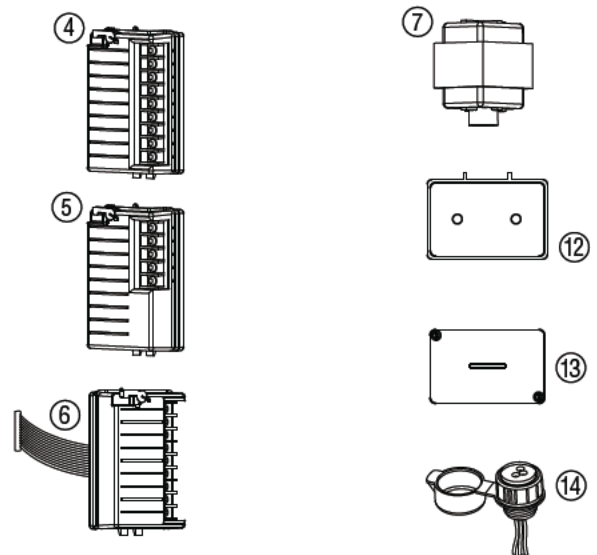
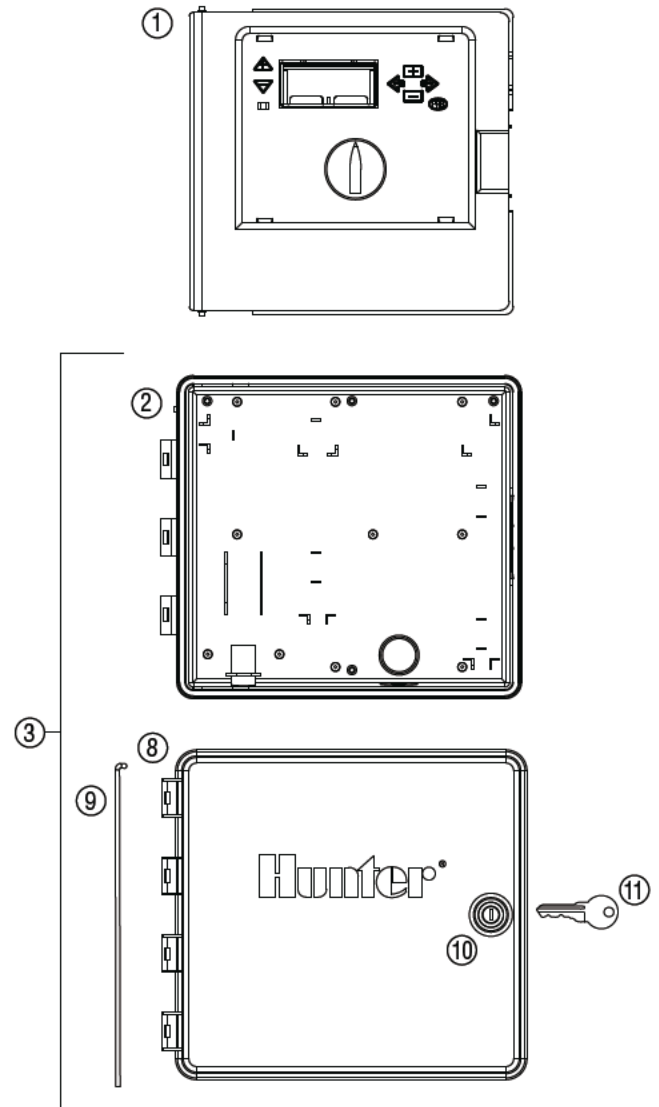
# PCC: Indoor and Outdoor Controllers

Item	Description	Catalog No.	
①	Front Panel	526200	
②	Indoor Transformer	120/24VAC (US)	526500
		230/24VAC (European)	545700
		240/24VAC (Australian)	545500
③	Outdoor Transformer	120/24VAC (US)	468000
		230/24VAC (European)	545800
		240/24VAC (Australian)	545600
④	Junction Box	464000	
⑤	Junction Box Cover	464100	
⑥	Key Set (2)	122516	
⑦	Battery Door	462900	
⑧	Lock & Key Set	387300	
⑨	Front Door (Without Lock)	Outdoor Unit	463100
⑩	Front Door Hinge Pin		464400
⑪	Front Door	Indoor Unit	463300
		Outdoor Unit	463100
⑫	SmartPort Wiring Harness	6' Wire (pack of 50)	ROAMWH
		25' Wire - Shielded	SRR-SCWH
	Owners Manual	English	LIT-794
	Hanging Card Kit	English	LIT-335
	International Kit (Includes Owners Manual)	Spanish	INT-831
		French	INT-832
		Italian	INT-833
		German	INT-847
		Portuguese	INT-846



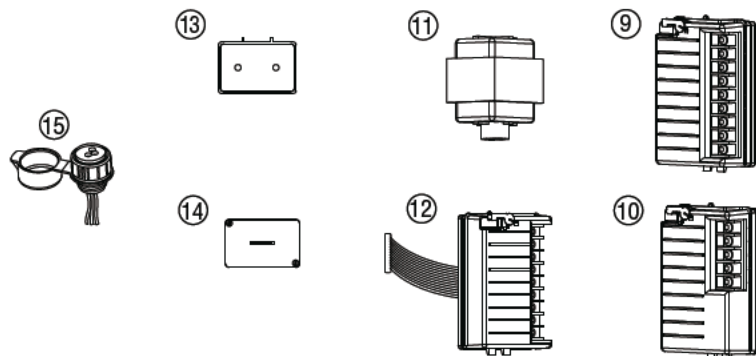
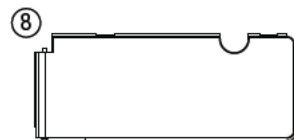
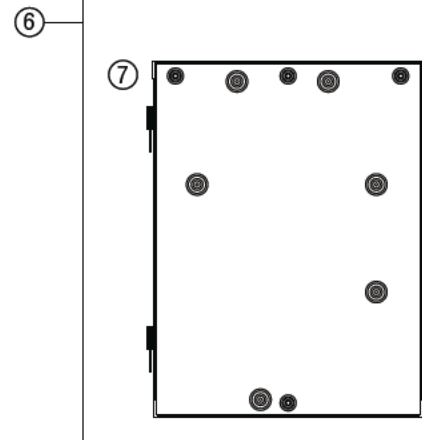
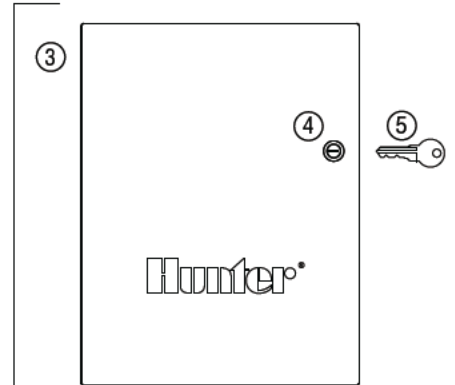
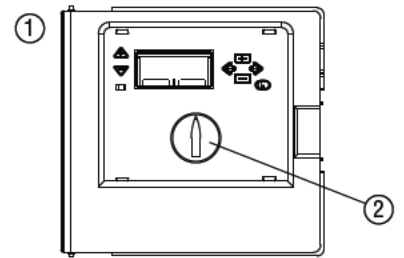
# ICC: Institutional/Commercial Controller (ICC-800PL & ICC-801PL) – Plastic Cabinet

Item	Description	Catalog No.	
①	Front Panel	429600	
②	Rear Cabinet	(U.S.)	373200
		(International)	373205
③	Plastic Cabinet Assembly <i>(Includes items 3, 10, 11, 12 &amp; 13)</i>	631500	
④	8-Station Module	ICM800	
⑤	4-Station Module	ICM400	
⑥	Power Module	429800	
⑦	Transformer 110/220 24V 40VA <i>(Dual Voltage)</i>	154628	
⑧	Plastic Front Door without Lock	429700	
⑨	Front Door Hinge Pin	374000	
⑩	Lock and Key Set	387300	
⑪	Key Set (2)	122516	
⑫	Junction Box	374100	
⑬	Junction Box Door	374200	
⑭	SmartPort® Wiring Harness	6' Wire (pack of 50)	ROAMWH
		25' Wire - Shielded	SRR-SCWH
	Station ID Label	English	LIT-245
	Owner's Manual	English	LIT-237
	Hanging Card Kit	English	LIT-334
	International Documentation <i>(Includes Owner's Manual, Door Instructions and Faceplate Label)</i>	Spanish	INT-321
		French	INT-322
		Italian	INT-323
		German	INT-370



# ICC: Institutional/Commercial Controller (ICC-800M & ICC-800SS) – Metal Cabinet

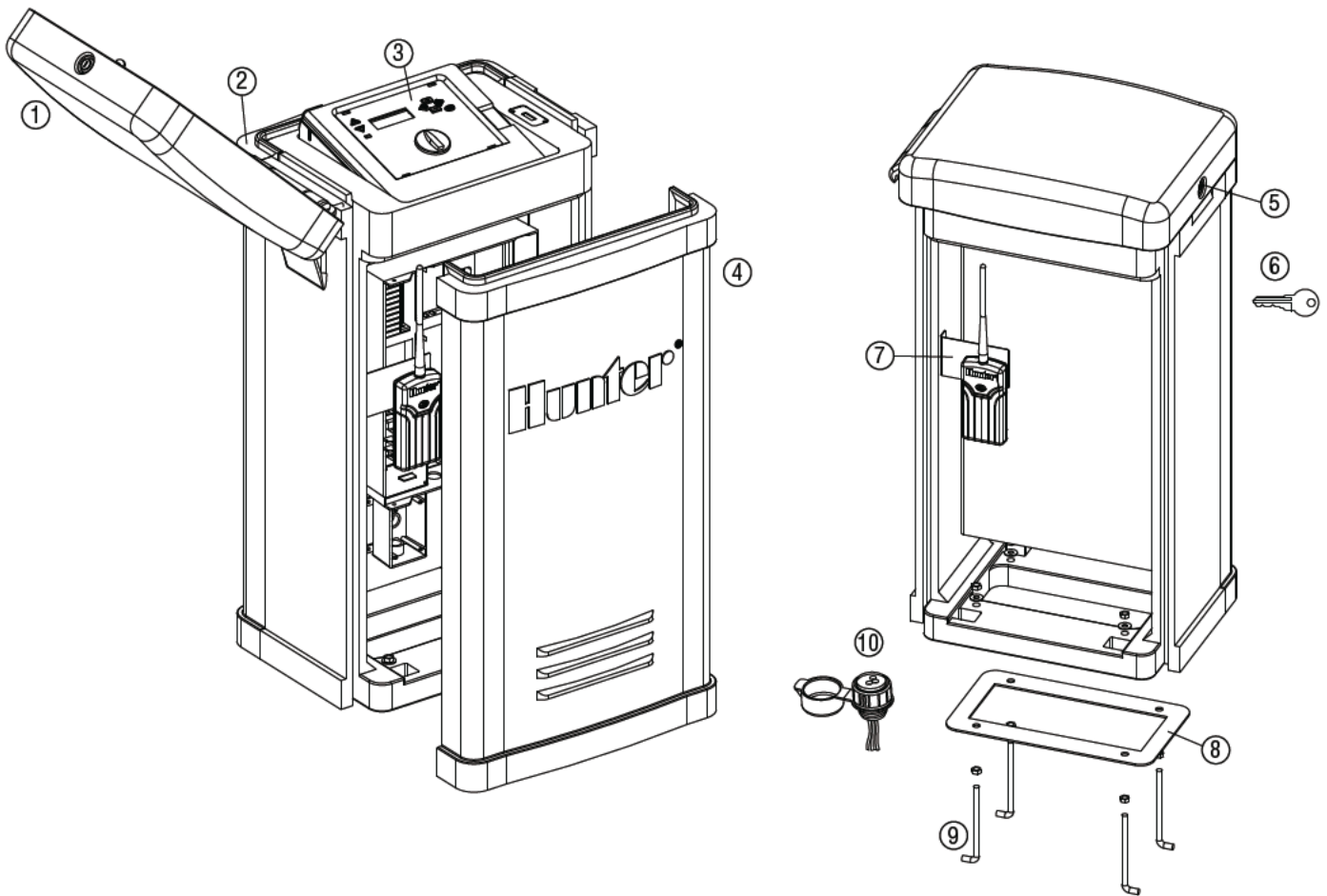
Item	Description	Catalog No.	
①	Front Panel	429600	
②	Dial	375700	
③	Metal Front Door w/o Lock	Powder Coated	384400
		Stainless Steel	384405
④	Lock & Key Set	387300	
⑤	Key Set (2)	122516	
⑥	Metal Cabinet w/ Door & Lock <i>(Includes 3, 4 &amp; 7)</i>	Powder Coated	561700
		Stainless Steel	561800
⑦	Metal Cabinet w/o Door	Powder Coated	384300
		Stainless Steel	384305
⑧	Bottom Door	384200	
⑨	8-Station Module	ICM800	
⑩	4-Station Module	ICM400	
⑪	Transformer 110/220 24V 40VA <i>(Dual Voltage)</i>	154628	
⑫	Power Module	429800	
⑬	Junction Box	374100	
⑭	Junction Box Door	374200	
⑮	SmartPort® Wiring Harness	6' Wire (pack of 50)	ROAMWH
		25' Wire - Shielded	SRR-SCWH
	Inside Door Label	English	LIT-290
	Station ID Label	English	LIT-245
	Owner's Manual	English	LIT-237
	Hanging Door Card	English	LIT-334
	International Documentation <i>(Includes Owner's Manual, Door Instructions, and Faceplate Label)</i>	Spanish	INT-321
		French	INT-322
		Italian	INT-323
		German	INT-370





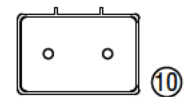
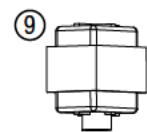
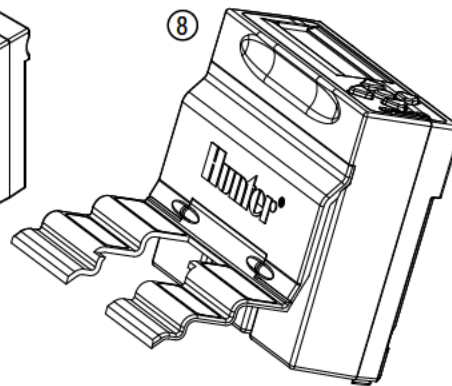
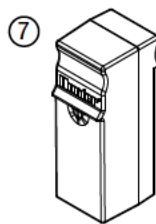
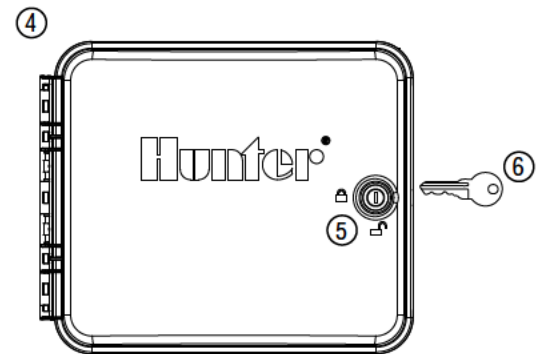
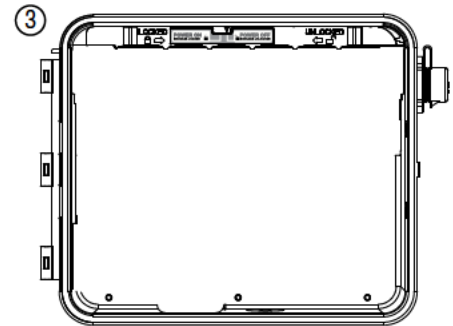
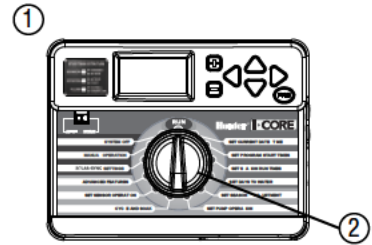
# ICC Plastic Pedestal

Item	Description	Catalog No.
①	Lid	553300
②	Hinge Pin	558400
③	ICC Front Panel	429600
④	Access Door	553200
⑤	Lock & Key Set	558000
⑥	Key Set (2)	122516
⑦	SmartPort® Bracket	576000
⑧	Mounting Template	558600
⑨	Mounting Hardware	420200
⑩	SmartPort Wiring Harness	6' Wire (pack of 50) ROAMWH
		25' Wire - Shielded SRR-SCWH
	Ribbon Cable Extension ( <i>Not shown</i> )	574600
	Mounting Kit ( <i>Includes 8 &amp; 9</i> )	581700



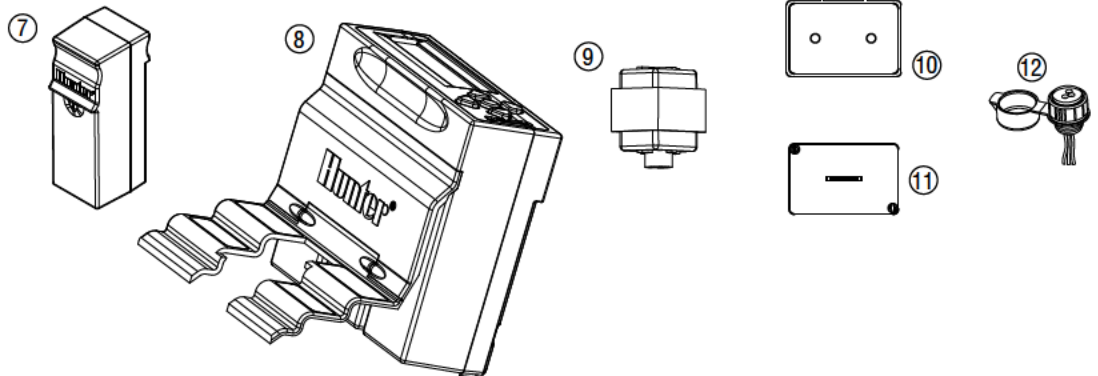
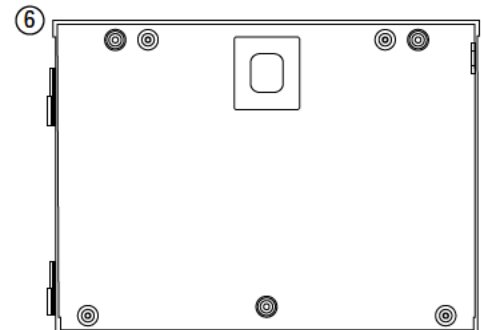
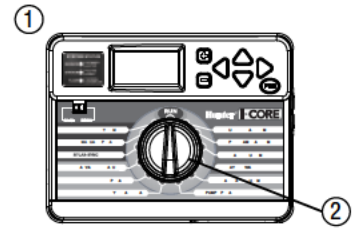
# I-Core: Institutional/Commercial Controller (IC-600PL & IC60IPL) – Plastic Cabinet

Item	Description	Catalog No.	
①	Front Panel	124705	
②	Knob	129300	
③	Rear Cabinet	117805	
④	Door Without Lock, Plastic I-Core	131305	
⑤	Lock & Key Set	387300	
⑥	Key Set (2)	122516	
⑦	6-Station Expansion Module	ICM600	
⑧	48 Station DUAL Module	DUAL48M	
⑨	Transformer	154628	
⑩	Junction Box	123800	
⑪	Junction Box Cover	124000	
⑫	SmartPort	6' Wire (pack of 50)	ROAMWH
	Wiring Harness	25' Wire - Shielded	SRR-SCWH
	Power Module		121405
	Ribbon Cable, Plastic I-Core		130800
	I-Core Mounting Template		LIT-548
	Hanging Door Card	English	LIT-506
	Owners Manual	English	LIT-502
	International Kit (Includes Owners Manual)	Spanish	INT-895
		French	INT-894
		Italian	INT-896
		German	INT-898
		Portuguese	INT-897



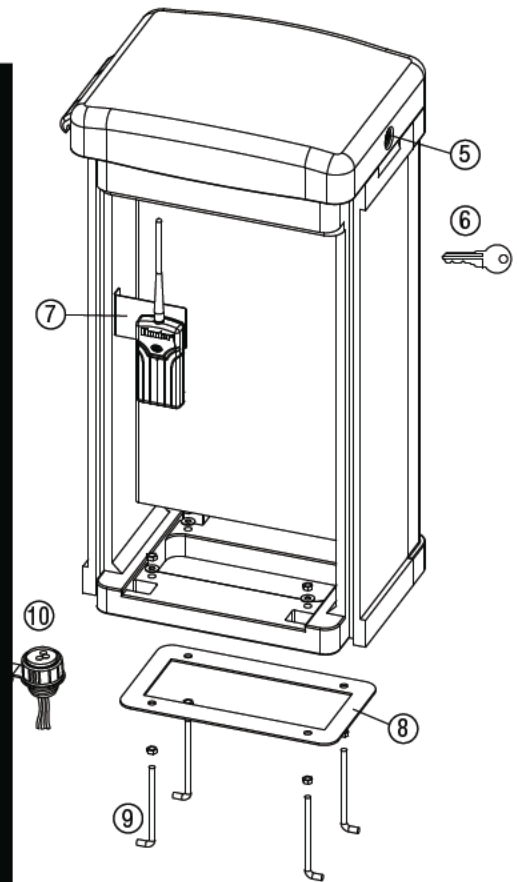
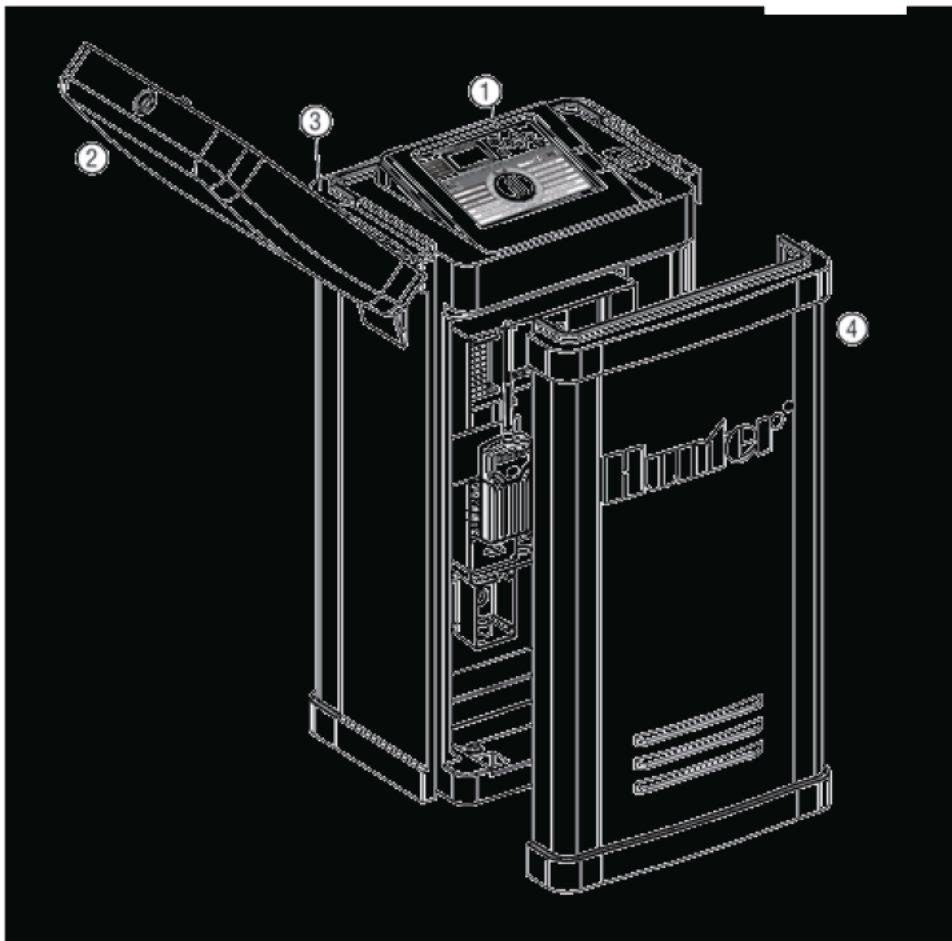
# I-Core: Institutional/Commercial Controller (IC-800M & IC-800SS) – Metal Cabinet

Item	Description	Catalog No.	
①	Front Panel	124705	
②	Knob	129300	
③	Door Without Lock, Metal I-Core	125500	
④	Lock & Key set	387300	
⑤	Key Set (2)	122516	
⑥	Rear Cabinet	118700	
⑦	6 Station Expansion Module	ICM600	
⑧	48 Station DUAL Module	DUAL48M	
⑨	Transformer	154628	
⑩	Junction Box	123800	
⑪	Junction Box Cover	124000	
⑫	SmartPort Wiring Harness	6' Wire (pack of 50) 25' Wire - Shielded	ROAMWH SRR-SCWH
	Power Module		121405
	Ribbon Cable, Metal/Stainless I-Core		130810
	I-Core Mounting Template		LIT-548
	Hanging Door Card	English	LIT-506
	Owners Manual	English	LIT-502
International Kit (Includes Owners Manual)		Spanish	INT-895
		French	INT-894
		Italian	INT-896
		German	INT-898
		Portuguese	INT-897



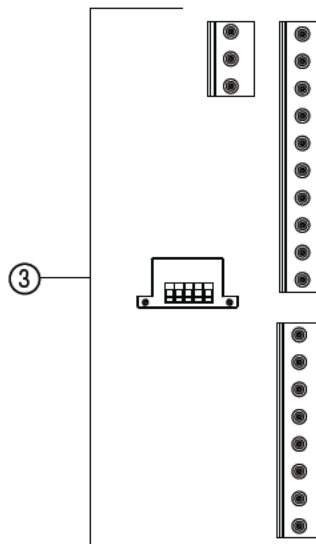
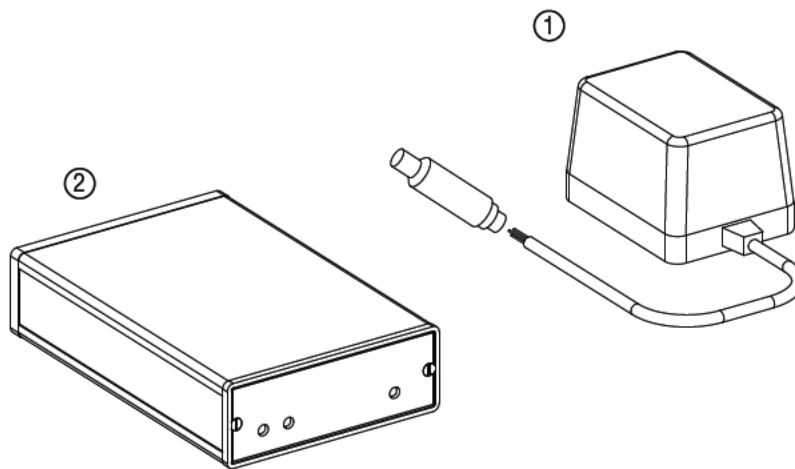
# I-Core Plastic Pedestal

Item	Description	Catalog No.	
①	I-Core Front Panel	12475	
②	Lid	552200	
③	Hinge Pin	558400	
④	Access Door	553200	
⑤	Lock & Key Set	558800	
⑥	Key Set (2)	122516	
⑦	SmartPort Bracket	576000	
⑧	Mounting Template	558600	
⑨	Mounting Hardware	420200	
⑩	Smart Port Wiring Harness 25' Shielded Cable	SRR-SCWH	
	Ribbon Cable - Plastic Ped I-Core	130815	
	Mounting Kit	581700	
	Owners Manual	English	LIT-502
	International Kit (Includes Owners Manual)	Spanish	INT-895
		French	INT-894
		Italian	INT-896
German		INT-898	
Portuguese		INT-897	



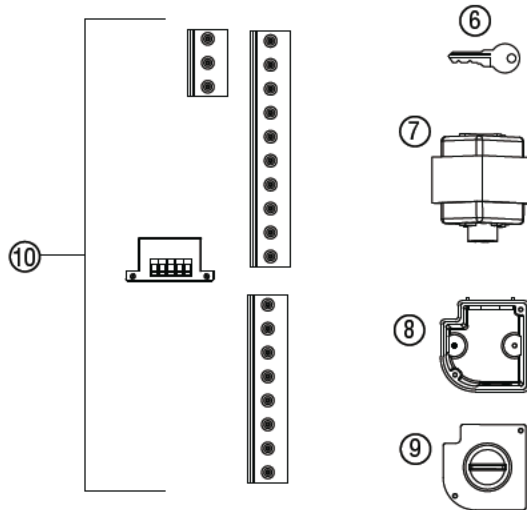
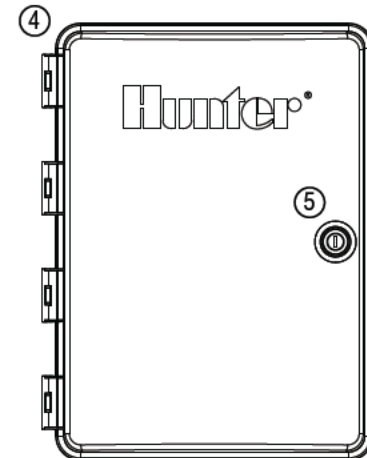
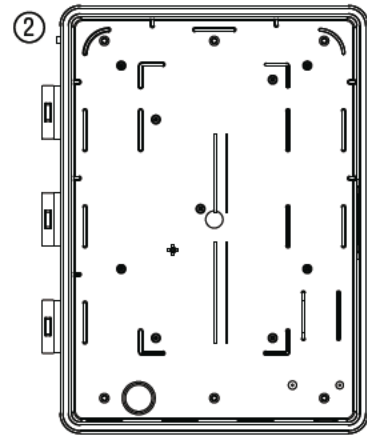
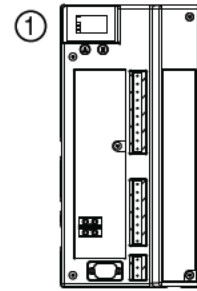
# IMMS-CCC: Irrigation Management and Monitoring

Item	Description		Catalog No.
①	Transformer Assembly	120/24VAC (U.S.)	622100
		230/24VAC (International)	622105
		230/24VAC (AU/NZ)	622115
②	Central Computer Communications Unit <i>(Includes 1 &amp; 3)</i>	U.S.	IMMS-CCC
		International	IMMS-CCC-E
		AU/NZ	IMMS-CCC-A
③	Terminal Plugs <i>(1 CCC GCBL &amp; 1 Set of Interface plugs)</i>		629800



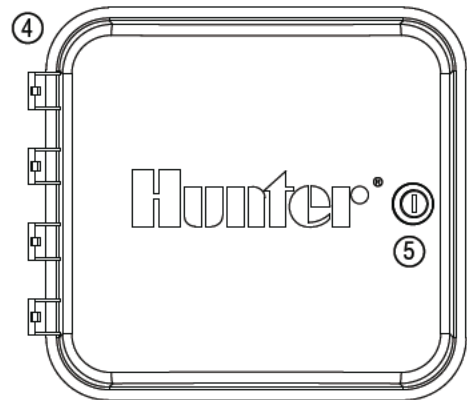
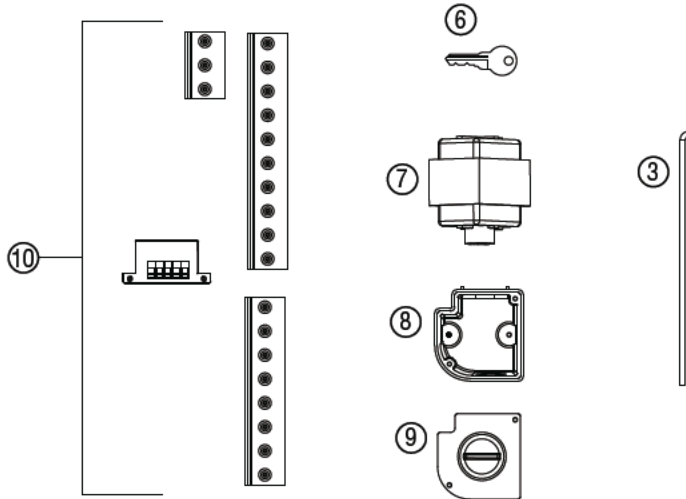
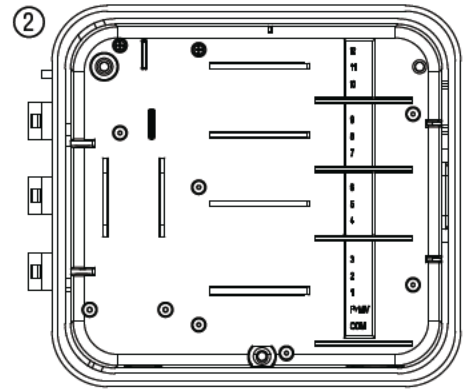
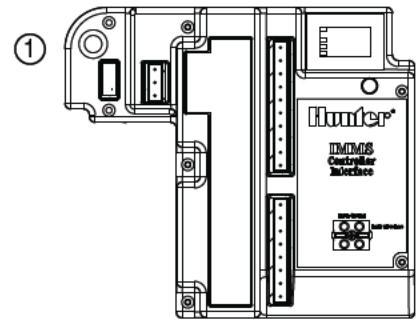
# IMMS-SI: Irrigation Management and Monitoring System™

Item	Description	Catalog No.	
①	Electronic Assembly	IMMS-SI-HW (U.S.)	629500
		IMMS-SI-MOD (U.S.)	629600
		IMMS-SI-HW-E (International)	510905
		IMMS-SI-MOD-E (International)	510915
②	Cabinet	U.S.	513000
		International	513010
③	Front Door Hinge Pin	513005	
④	Plastic Front Door	U.S.	513100
		International	513105
⑤	Lock Assembly and Key	387300	
⑥	Key Set (2)	122516	
⑦	Transformer	120/24VAC (U.S.)	468000
		230/24VAC (European)	545600
⑧	Junction Box	464000	
⑨	Junction Box Door	464100	
⑩	Terminal Plugs (All)	629800	



# IMMS-CI: Irrigation Management and Monitoring System™

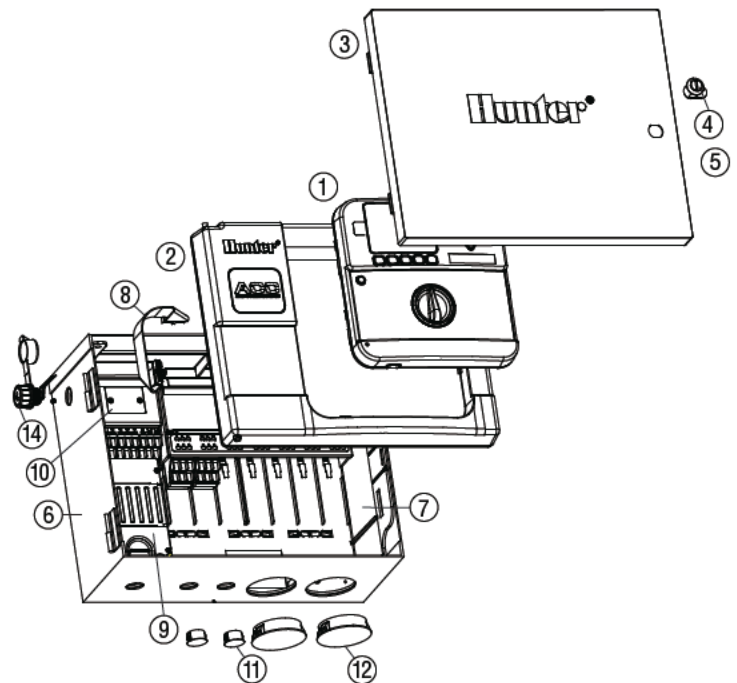
Item	Description		Catalog No.
①	Electronic Assembly	IMMS-CI-HW (U.S.)	629700
		IMMS-CI-HW (International)	629700
②	Cabinet	U.S.	511200
		International	511205
③	Front Door Hinge Pin		464400
④	Plastic Front Door (Without Lock)	U.S.	463100
		International	463105
⑤	Lock Assembly and Key		387300
⑥	Key Set (2)		122516
⑦	Transformer	120/24VAC (U.S.)	468000
		230/24VAC (European)	468005
⑧	Junction Box		464000
⑨	Junction Box Door		464100
⑩	Terminal Plugs (All)		629800



## ACC Wall Mount Controllers (ACC1200, ACC99D)

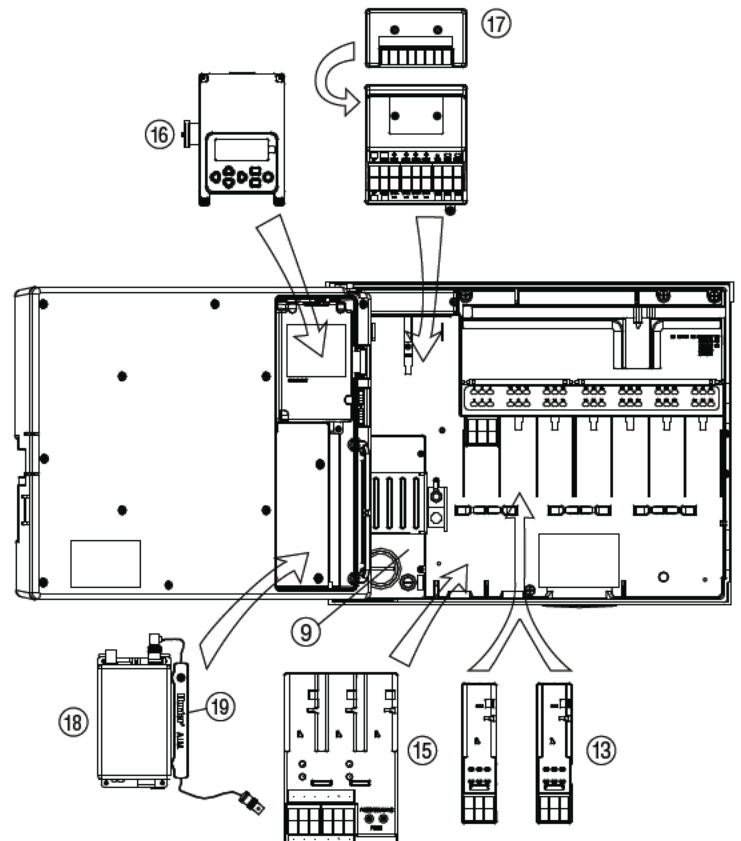
Item	Description	Catalog No.
①	Front Faceplate Face Pack	571500
②	Front Face Pack Door Frame	589000
③	Metal Front Door w/o Lock	585500
④	Lock & Key Set ( <i>Not Shown</i> )	387300
⑤	Key Set (2) ( <i>Not shown</i> )	122516
⑥	Metal Cabinet w/o Door	585000
⑦	Shell kit, includes metal cabinet, plastic backplane, transformer, no modules	* ACCSHELLKIT
⑧	Door Ribbon Cable ( <i>Wall mount only</i> )	585100
⑨	Transformer Assembly	587000
⑩	Master Module	572000
⑪	Small Hole Plug	654400
⑫	Large Hole Plug	654500
⑬	Station Module(s) ACM-Module ( <i>Standard</i> )	ACM600
	AGM-Module ( <i>Extreme service</i> )	AGM600
⑭	SmartPort® Assembly including Nut	112200
⑮	Decoder Output Module	ADM99

\* Replaces part 586005 which is no longer available.



## Communications Modules and Parts

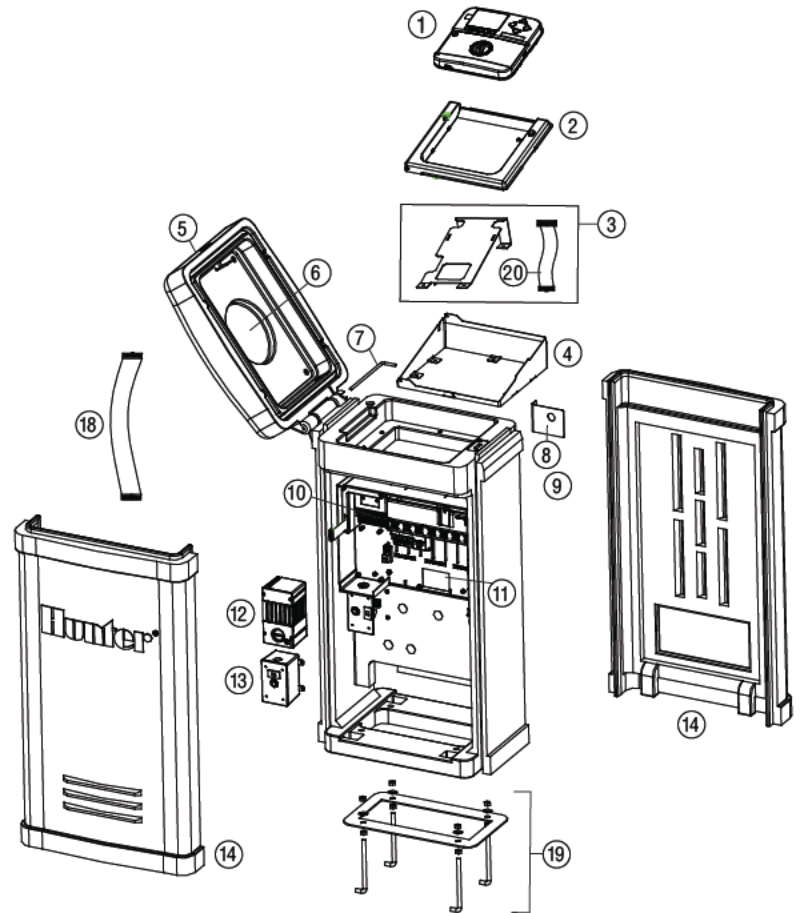
Item	Description	Catalog No.
⑯	Com module for dial-up ( <i>POTS</i> )	ACC-COM-POTS
⑯	Com module for GSM cell ( <i>USA</i> )	ACC-COM-GSM
⑯	Com module for GSM, International	ACC-COM-GSM-E
⑯	Com module for radio and hardwire only	ACC-COM-HWR
⑯	Com module for Ethernet	ACC-COM-LAN
⑯	Com module for GPRS	ACC-COM-GPRS
⑰	Hardwire Interface Module	ACC-HWIM
	Antenna for GSM or GPRS ( <i>USA</i> ) not shown	666251
	Antenna for GSM or GPRS ( <i>Int'l</i> ) not shown	666261
⑱	UHF radio ( <i>No antenna</i> )	RAD3
⑲	Antenna Isolation Module	AIM-BNC





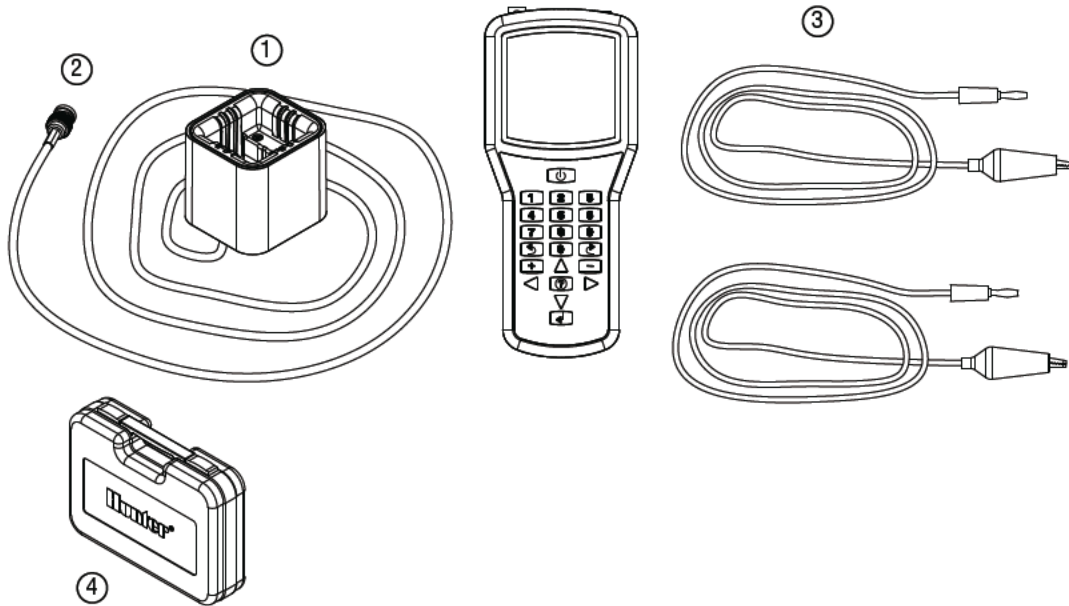
## ACC Pedestal Controllers (ACCI200PP, AGCI200PP, AGC99DPP)

Item	Description	Catalog No.
①	Front Faceplate Face Pack (ACC)	571500
	Front Face Pack (AGC)	571505
②	Front Face Pack Door only	620000
③	Plastic Ped Com and Radio Bracket, includ- ing Ribbon Cable	APPBRKT
④	Frame Adapter	145500
⑤	Lid including Lock	553305
⑥	Lid Antenna for Ped, UHF	IMMSANT2
⑦	Lid Hinge Pin	558400
⑧	SmartPort® Bracket	576000
⑨	SmartPort® Wiring Harness	112210
⑩	Master Module	572000
⑪	Decoder Output Module	ADM99
	Station Module(s) ACM-Module (Standard)	ACM600
	AGM-Module (Extreme Service)	AGM600
⑫	Transformer Assembly	587000
⑬	J Box	145410
⑭	Pedestal Door with Screen	553205
⑮	Lock & Key Set (Not shown)	558000
⑯	Key Set (2) (Not shown)	122516
⑰	ACC Ped Inner Panel Cabinet with Transformer	621230
⑱	Ribbon, Inner Controller to Facepack Door	585105
⑲	Mounting Template Kit, includes Template #558600, and Hardware #420200	581700
⑳	Ribbon, Extension for Com Modules in Pedestals	619900
㉑	Mounting Template only	558600
㉒	Mounting Hardware only	420200



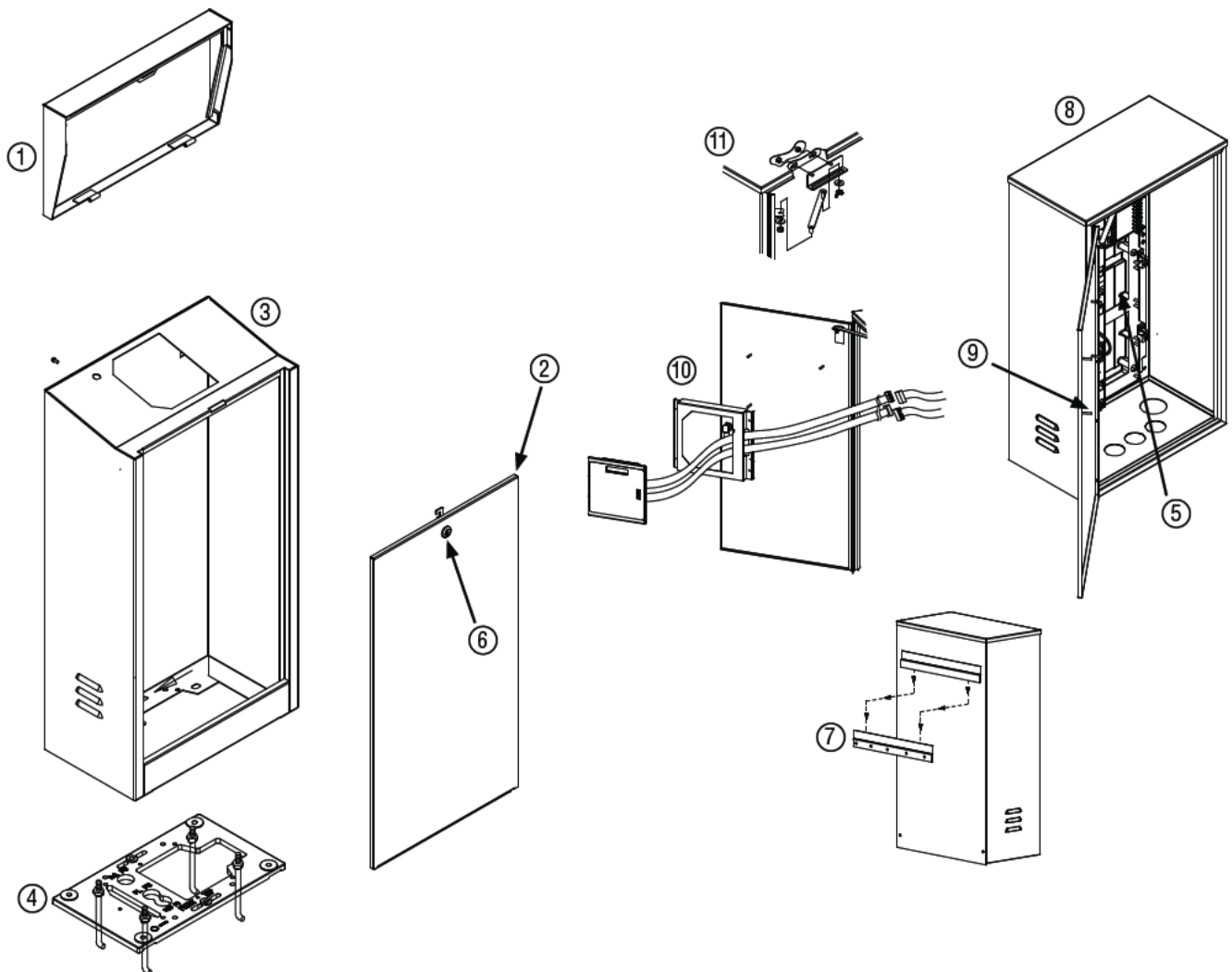
## ICD-HP Components

Item	Description	Catalog No.
①	Programming Cup	177600
②	Programming cable 6' (2m) with Connectors	180504
③	Red and Blue 6' (2m) Leads	180508
④	Carrying Case	205800



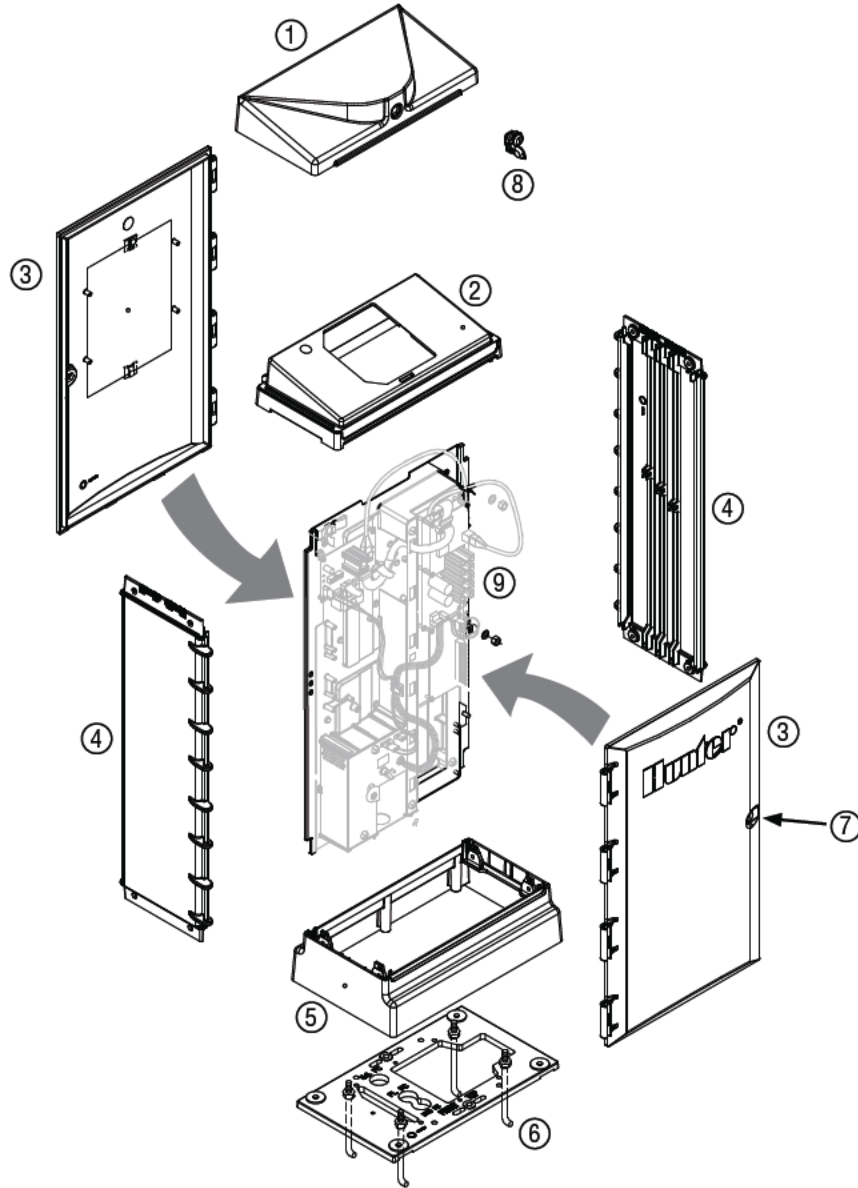
## Steel Controller Enclosure Parts (IDSSP, IDSSW)

Item	Description	Catalog No.
①	Lid Kit	FCSLIDKT
②	Replacement Pedestal Door, including lock assembly	FCSDOORKT
③	Complete replacement Standalone Pedestal with back plane, lid, & door ( <i>No Components</i> )	FCSPEDKT
④	Mounting template and hardware for S pedestal	TEMPLT2
⑤	Plastic backplane for mounting electronic components ( <i>Also rear panel of plastic wall mount</i> )	BACKPLANEKT
⑥	Steel Pedestal Door Lock Kit w/ keys	FCSDLKT
⑦	Wall Controller Mount Kit	WCSMNTKT
⑧	Complete replacement wall cabinet with back plane & door, no components	WCSCABKT
⑨	Wall Mount Door Lock w/ keys	WCSDLKT
⑩	Inner Door Bracket for Facepack	WFPBKT
⑪	Door stop for wall mount door	WCSDSKT



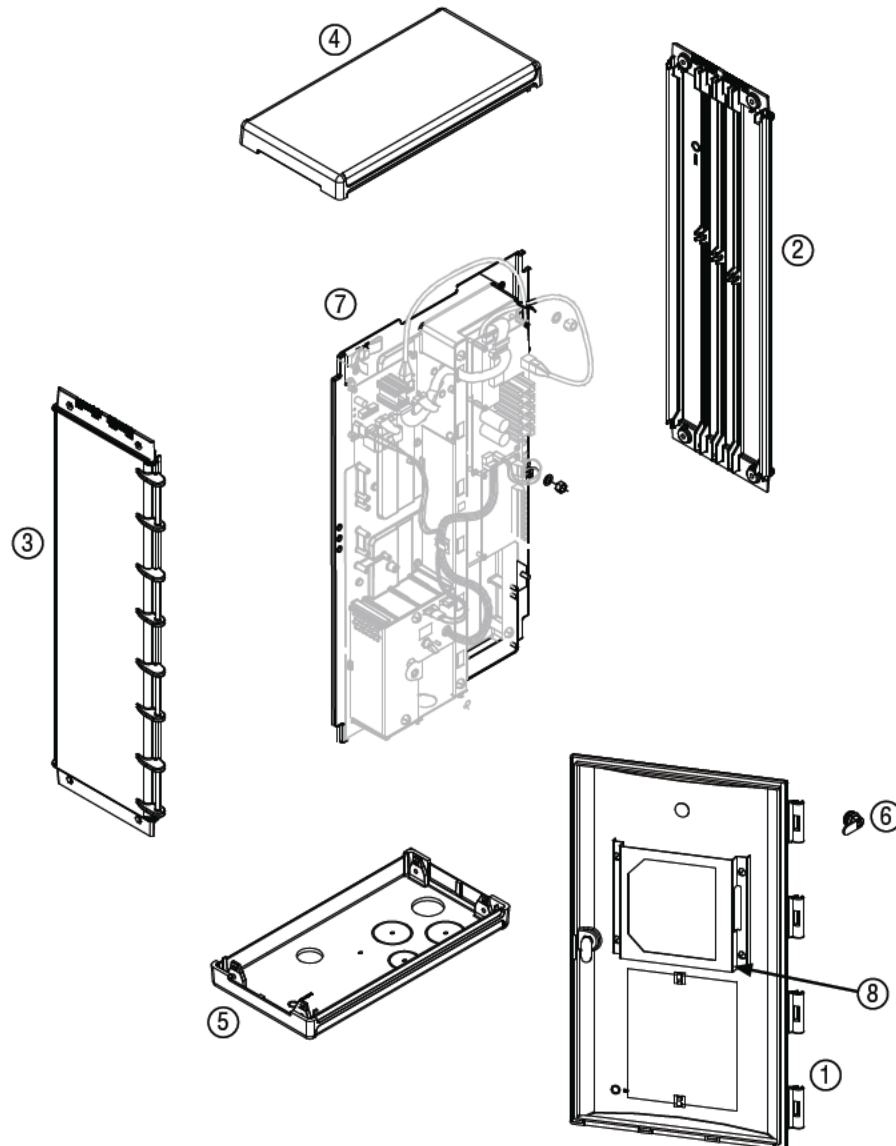
## Plastic Pedestal Kits IDS-PP

Item	Description	Catalog No.
①	Lid Kit	FCPLKT
②	Cap Kit	FCPCKT
③	Door Kit (1 per kit)	FCPDKT
④	Side Kit	FCPSKT
⑤	Base Kit	FCPBKT
⑥	Template Kit	TEMPLT2
⑦	Lock Assembly, Door	FCPDLKT
⑧	Lock Assembly, Lid	FCPLLKT
⑨	Plastic backplane for mounting electronic components (Also rear panel of wall mount, includes gasket tape – NO components)	BACKPLANEKT
All	Complete Plastic Pedestal (No components)	PEDP1



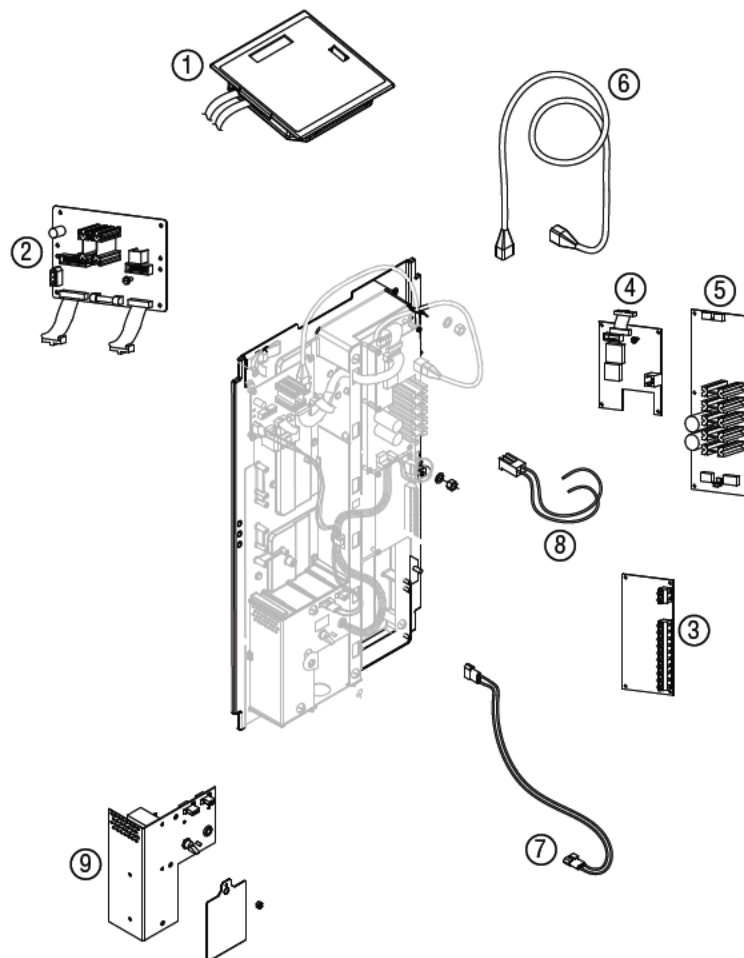
## Plastic Wall Enclosure Kits IDS-PW

Item	Description	Catalog No.
①	Wall Mount Door Kit	WCPDKT
②	Wall Mount Right Side Kit ( <i>No hinges</i> )	WCPSKT
③	Wall Mount Left Side Kit ( <i>With hinges</i> )	FCPSKT
④	Top Kit	WCPTT
⑤	Wall Mount Bottom Kit	WCPBKT
⑥	Lock Assembly, Door	FCPDLKT
⑦	Plastic backplane for mounting electronic components ( <i>Also rear panel of wall mount - includes gasket tape, NO components</i> )	BACKPLANEKT
⑧	Inner Door Bracket for facepack	WFPBKT
All	Complete Wall Mount Enclosure ( <i>No components</i> )	WALP1



## IDS Decoder Controller Components

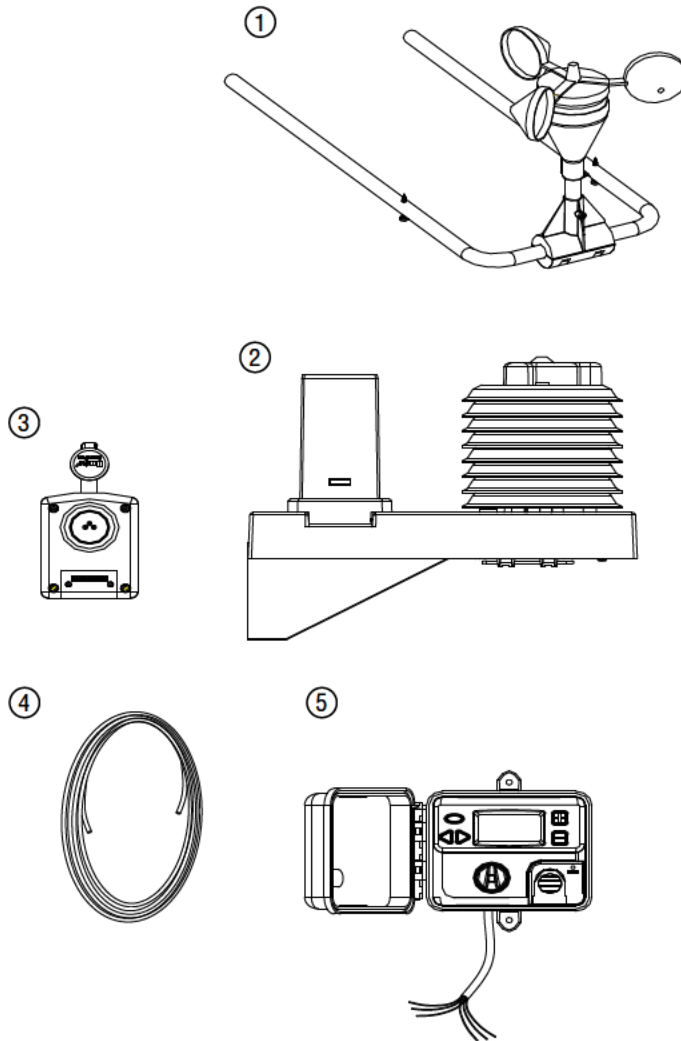
Item	Description	Catalog No.
①	IDS Facepack Kit	IDSKTFP
②	Decoder Power Supply Board Kit	VKTPSB2
③	Decoder Lightning/Output Board	VLPTKT
④	Decoder CPU Board	VCPUKT
⑤	Decoder Transmitter Board	VTRNSKT
⑥	RJ45 Cable	516238
	IDS Instruction Card/Zone Label <i>Inside door (not shown)</i>	562242
⑦	Power Supply Board Wire Harness	516140
	IDS Controller Manual (not shown)	LIT-376
⑧	Transmitter Cable	516143
	<b>Decoder Utility Software</b>	
	Replacement cable for DECMAN (not shown)	516177
	<b>Transformer Options</b>	
⑨	Decoder Transformer Kit 110 VAC <i>(Plastic and S Series)</i>	FCPVKTTFR2



# ET Systems

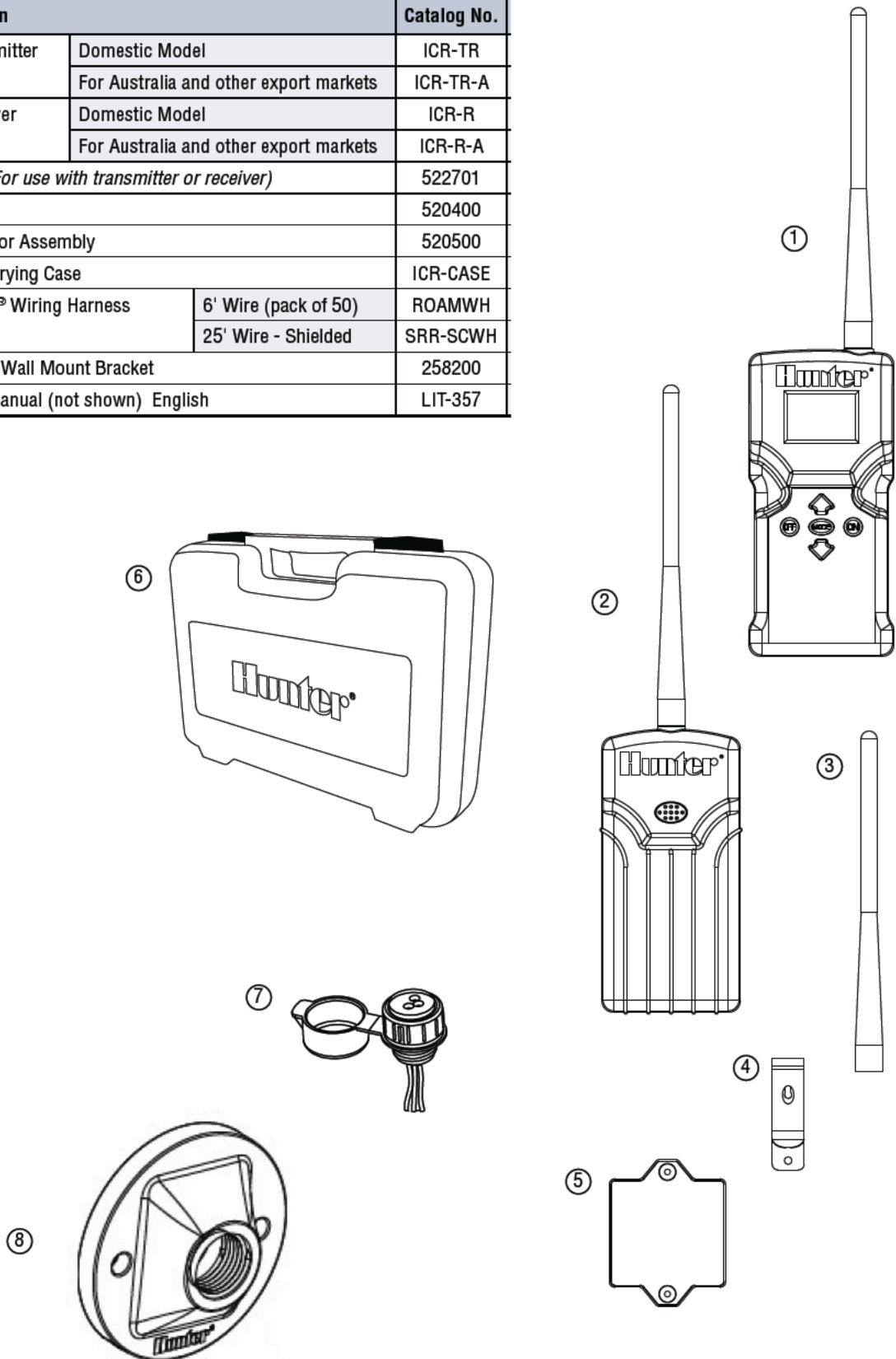
Item	Description	Catalog No.
①	ET Anemometer	ETWIND
②	ET Sensor Platform	ETSENSOR
③	Smartport Adaptor for ACC	ETADAPTOR
④	100' /30m Direct Burial Wire	206100
⑤	ET Control Module	ETMODULE
	Spare Lithium Battery ( <i>Not shown</i> )	622032
	Mounting Bracket Hardware ( <i>Not shown</i> )	ETHARDWARE
	Owner's Manual ( <i>Not shown</i> )	LIT-399

\*Available on Hunter website



# ICR: Remote Control Unit

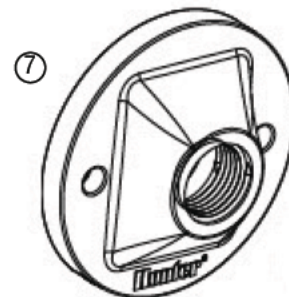
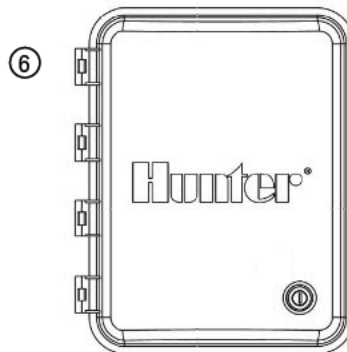
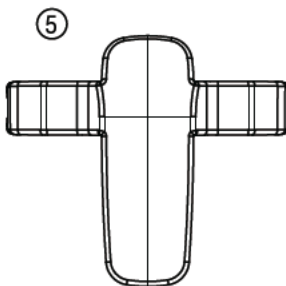
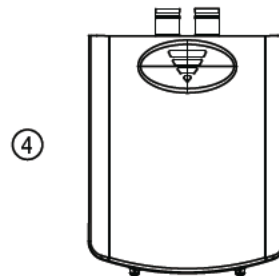
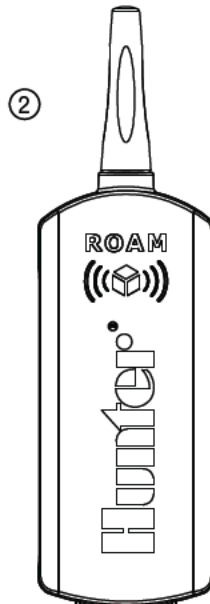
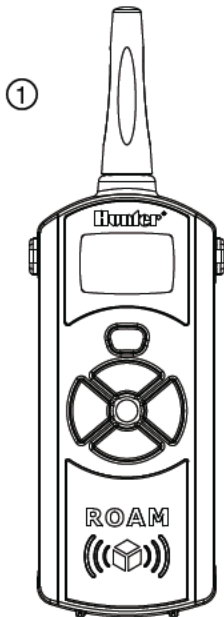
Item	Description		Catalog No.
①	ICR Transmitter	Domestic Model	ICR-TR
		For Australia and other export markets	ICR-TR-A
②	ICR Receiver	Domestic Model	ICR-R
		For Australia and other export markets	ICR-R-A
③	Antenna (For use with transmitter or receiver)		522701
④	Belt Clip		520400
⑤	Battery Door Assembly		520500
⑥	Plastic Carrying Case		ICR-CASE
⑦	SmartPort® Wiring Harness	6' Wire (pack of 50)	ROAMWH
		25' Wire - Shielded	SRR-SCWH
⑧	SmartPort Wall Mount Bracket		258200
	Owner's Manual (not shown) English		LIT-357





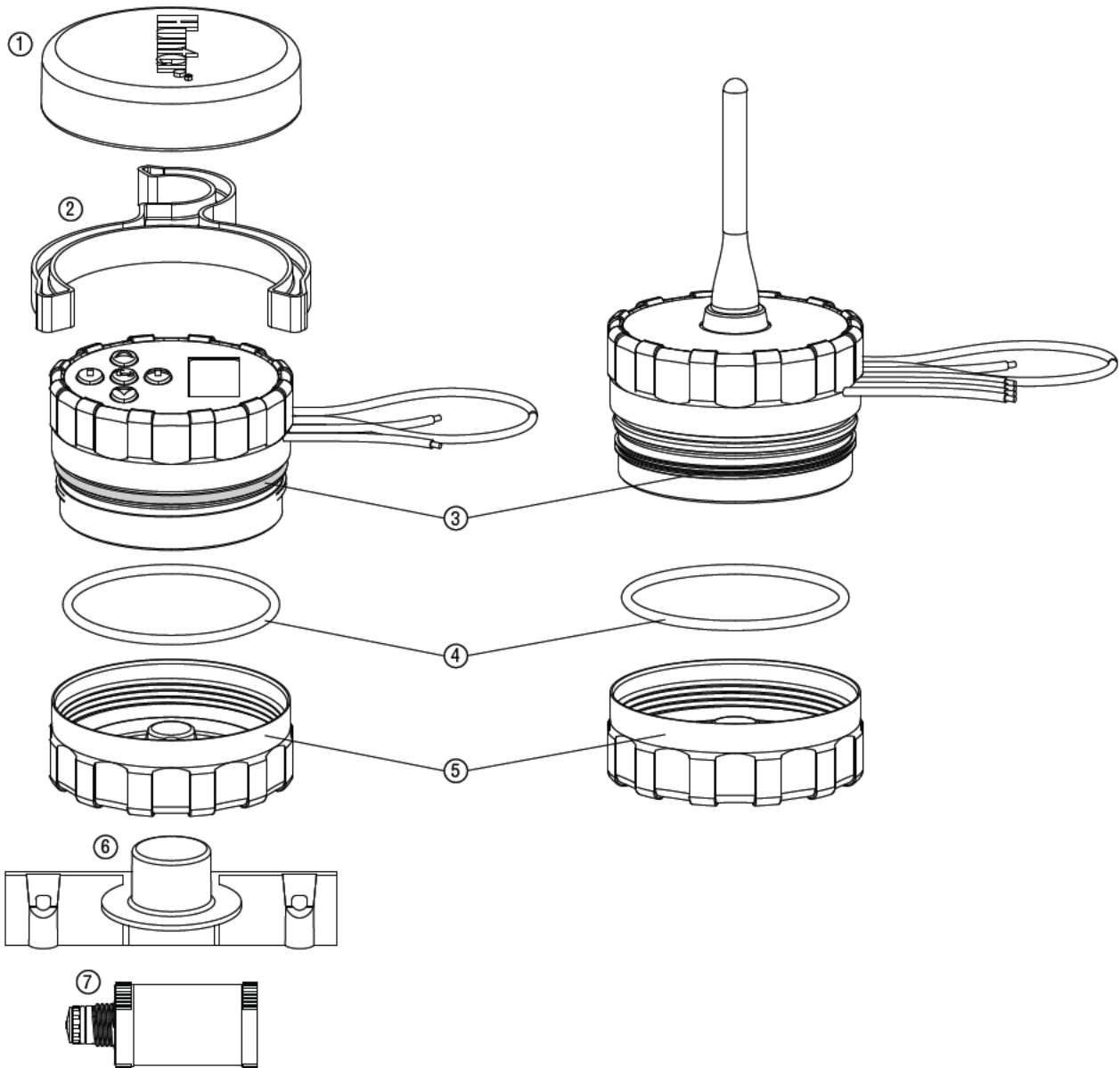
## ROAM: Remote Control Unit

Item	Description	
①	ROAM Transmitter	
②	ROAM Receiver	
③	SmartPort® Wiring Harness	6' Wire (pack of 50)
		25' Wire-Shielded
④	Battery Door Cover	
⑤	Belt Clip	
⑥	Receiver Locking Cabinet	
⑦	SmartPort Wall Mount Bracket	
	Owners Manual ( <i>Not shown</i> )	English



## SVC & WVC Controllers

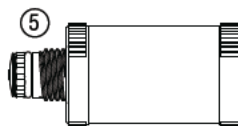
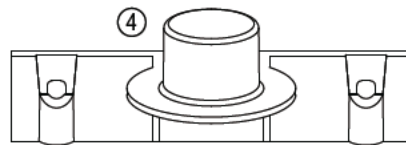
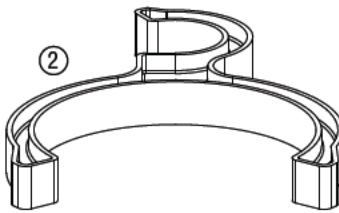
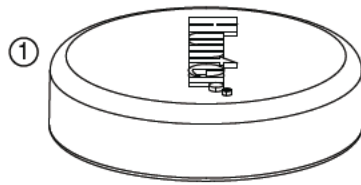
Item	Description	Catalog No.
①	Rubber Cover	489800
②	Mounting Clip	489500
③	O-Ring (Main Body)	491200
④	O-Ring (Cap)	491300
⑤	Cap Assembly	644500
⑥	Universal Mounting Adapter	488800
⑦	DC Latching Solenoid	458200
	SVC Owner's Manual (not shown) English, Spanish, French, Italian, German, Portuguese	LIT382
	WVC Owner's Manual (not shown) English	LIT-335



# NODE Controllers

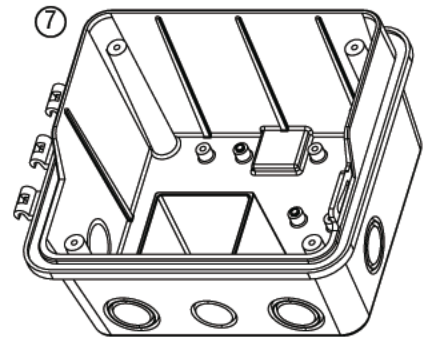
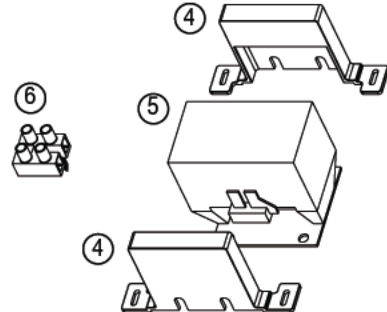
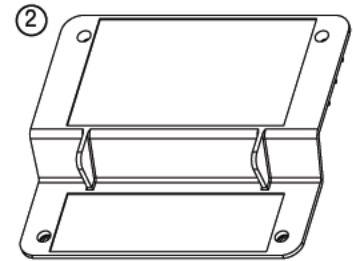
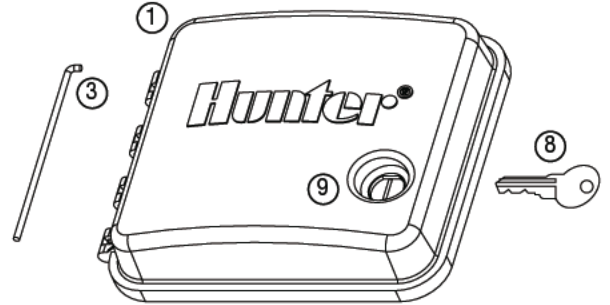
---

Item	Description	Catalog No.
①	Rubber Cover	297100
②	Mounting Clip	489500
③	O-Ring	252105
④	Universal Mounting Adapter	488800
⑤	DC Latching Solenoid	458200



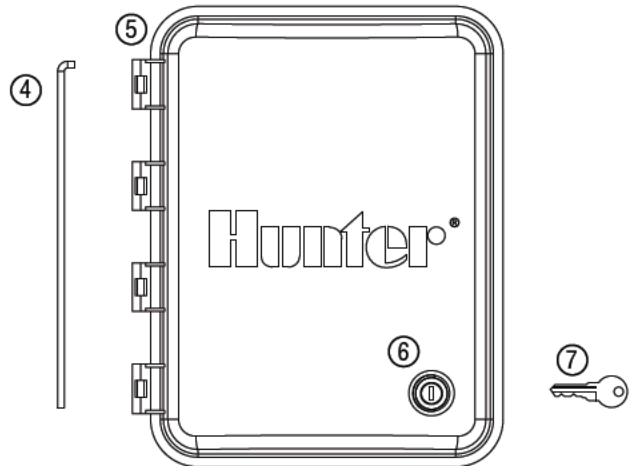
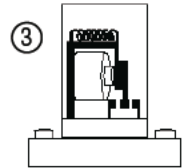
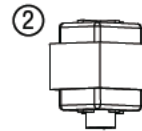
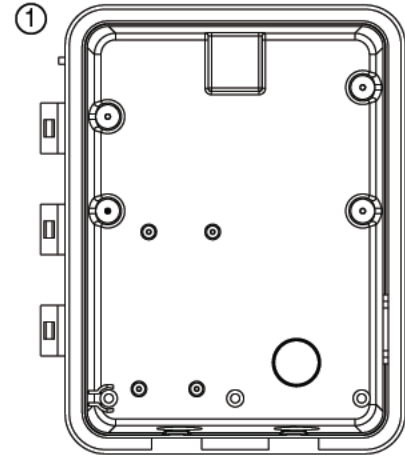
## PSR-22, PSR-52, PSR-53: Pump Start Relays

Item	Description	Catalog No.	
①	Door without Lock	468800	
②	Cover Plate w/ Sticker	PSR-22	525900
		PSR-52	526000
		PSR-53	526100
③	Door Hinge Pin	469000	
④	Contact Support Brackets ( <i>PSR-22 Only</i> )	501500	
⑤	Contactors	PSR-22	469201
		PSR-52	469105
		PSR-53	469110
⑥	Grounding Block	501600	
⑦	Cabinet	468700	
⑧	Key Set (2)	122516	
⑨	Lock & Key Set	387300	



## PSR-B: Pump Start Relay Booster

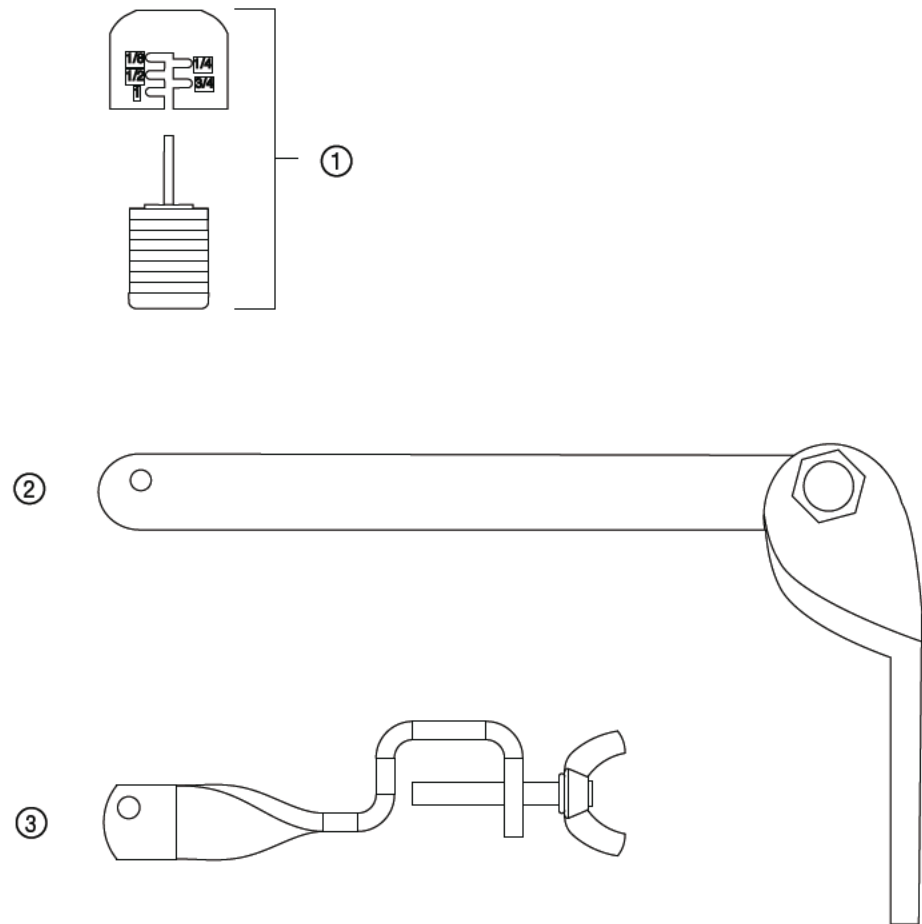
Item	Description	Catalog No.
①	Cabinet	527100
②	Transformer ( <i>Dual Voltage 110/220 24V 40VA</i> )	154628
③	Heavy Duty DPDT Relay	REL2
④	Door Hinge Pin	429200
⑤	Front Door	428000
⑥	Lock and Key Set	387300
⑦	Key Set (2)	122516



## Mini-Klik®: Rain Sensor

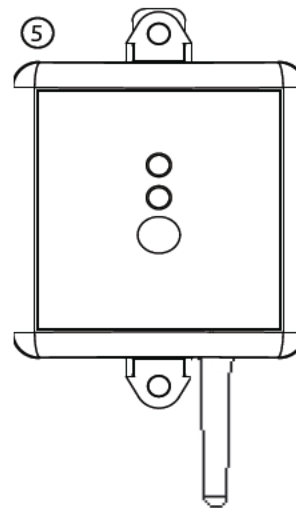
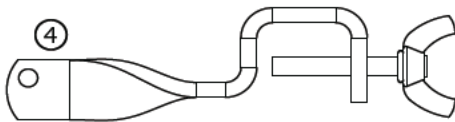
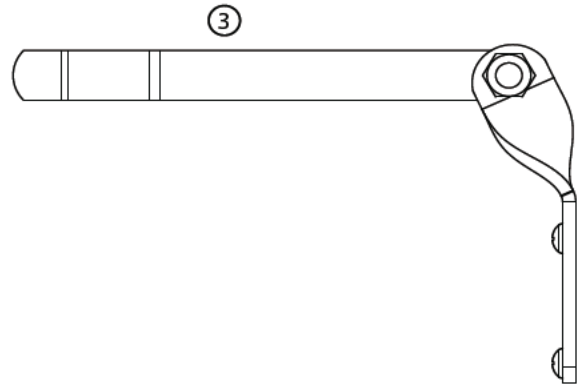
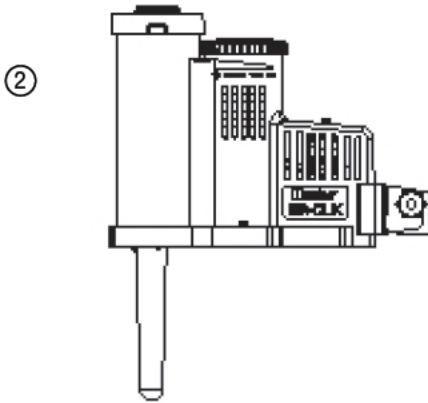
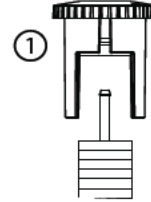
---

Item	Description	Catalog No.
①	Cap and Spindle Assembly	440200
②	Bracket	439700
③	Sensor Gutter Mount	SGM



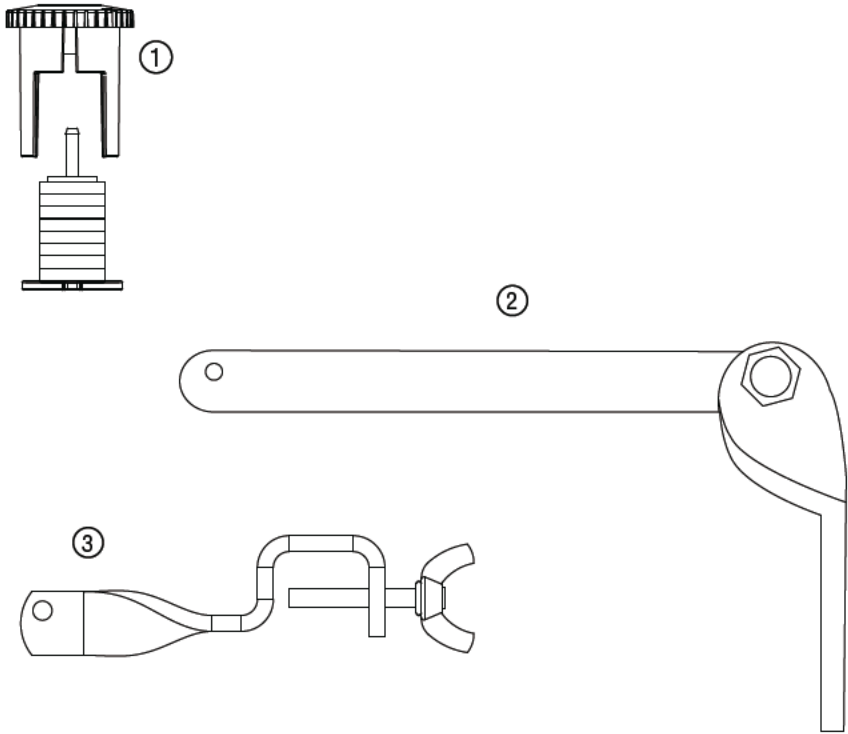
## WRC & WRFC: Wireless Rain Sensors

Item	Description	Catalog No.
①	Cap and Spindle Assembly	505900
②	Transmitter Assembly ( <i>WRC</i> )	WRCILK-TR
	Transmitter Assembly ( <i>WRFC</i> )	WRFLIK-TR
③	Mounting Bracket	439700
④	Sensor Gutter Mount	SGM
⑤	Receiver Assembly ( <i>WRC</i> / <i>WRFC</i> )	WRCLIK-R



# Rain-Clik™: Rain Sensor

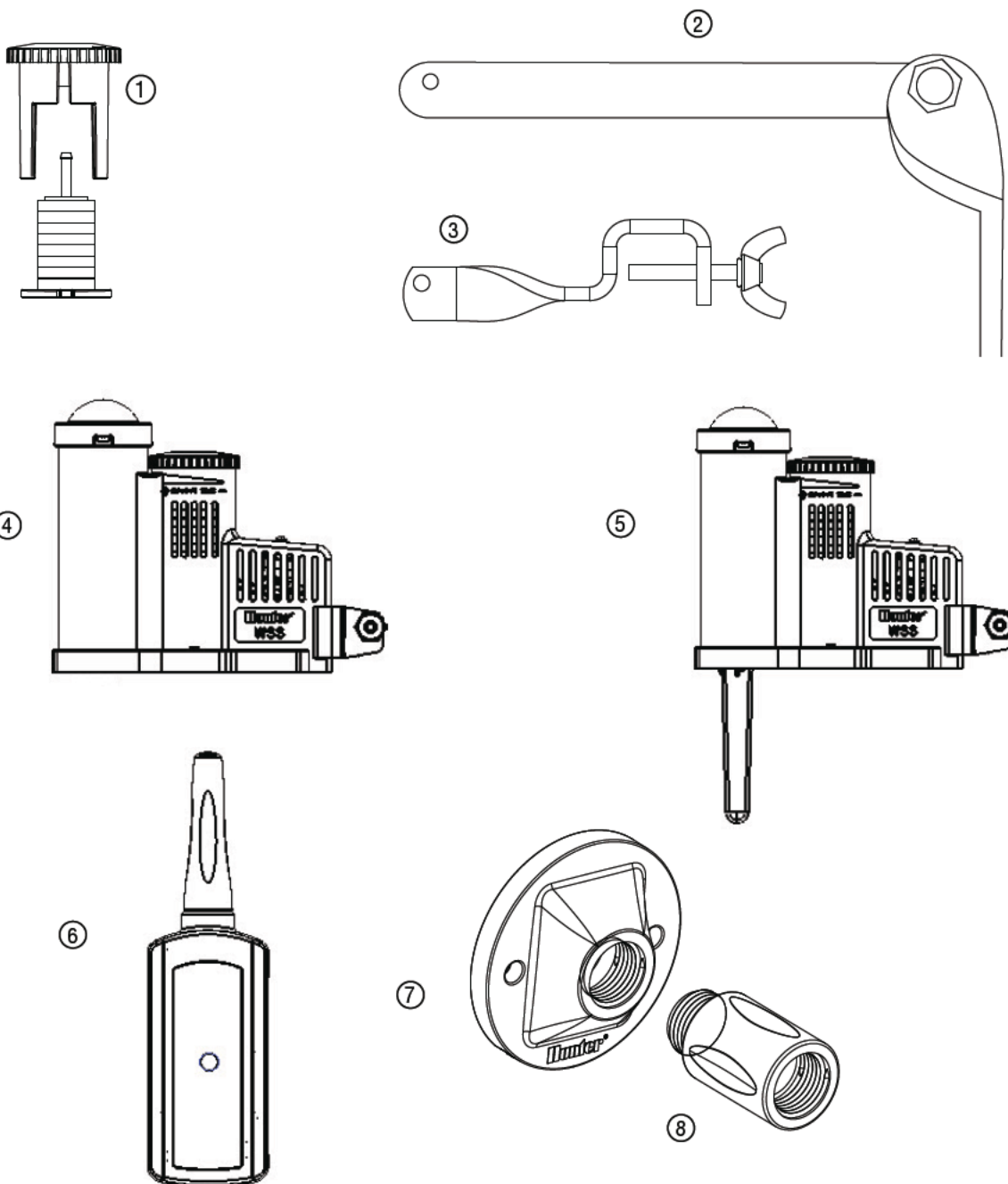
Item	Description	Catalog No.
①	Cap and Spindle Assembly	505900
②	Bracket	439700
③	Sensor Gutter Mount	SGM





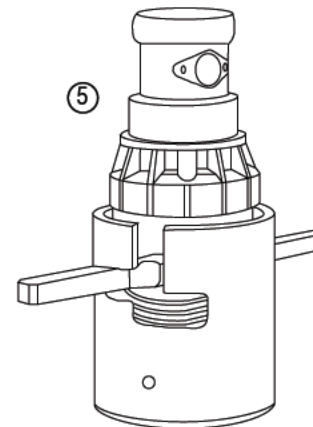
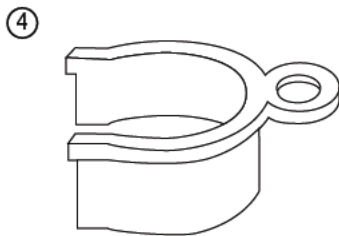
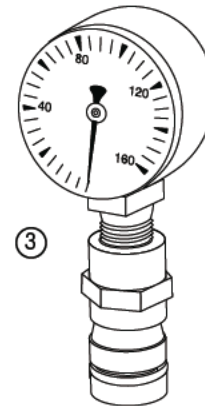
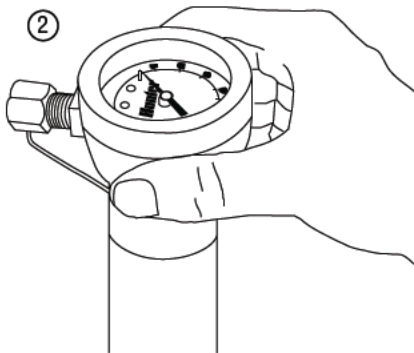
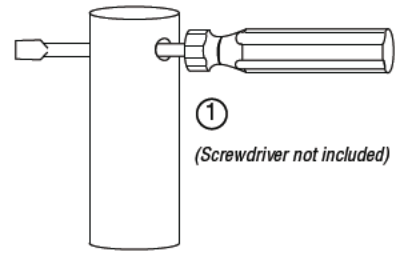
## Solar Sync® and Wireless Solar Sync: ET Sensor

Item	Description	Catalog No.
①	Cap and Spindle Assembly	505900
②	Bracket	439700
③	Sensor Gutter Mount	SGM
④	Solar Sync Sensor (Wired)	SOLARSYNCSEN
⑤	Wireless Solar Sync Sensor	WSSTR
⑥	Wireless Solar Sync Receiver	WSSR
⑦	Wall Mount Bracket	258200
⑧	Wall Mount Bracket Extender	222600



## Accessories

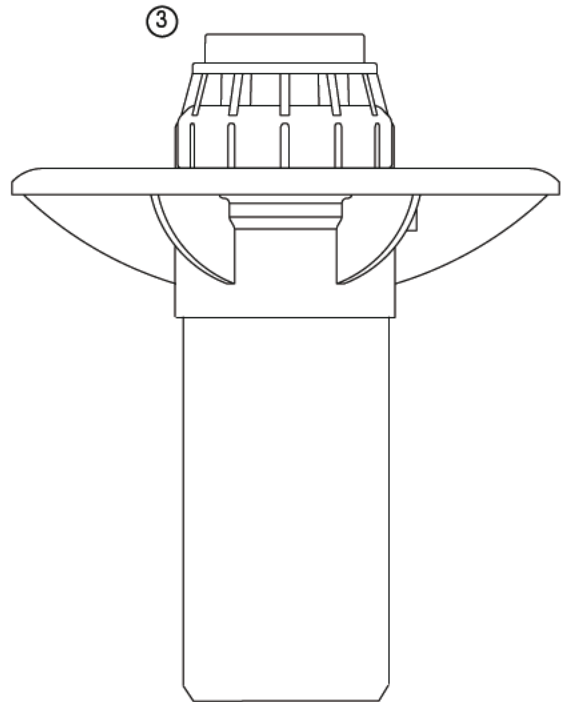
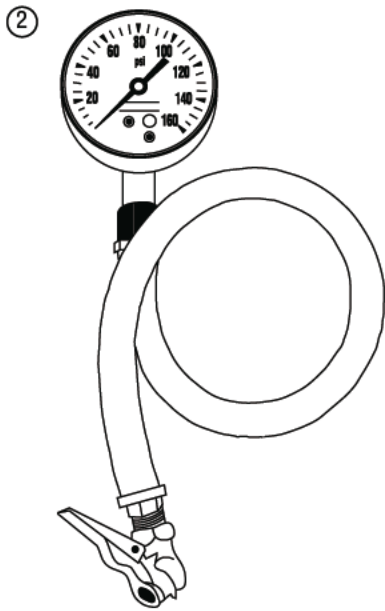
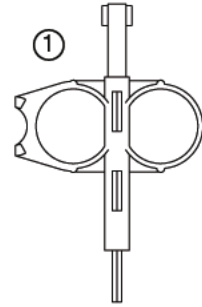
Item	Description	Catalog No.
①	Turf Plug Cutter (I-44/45)	150500
②	Rotor Pitot Gauge	280100
③	Rotor Pressure Gauge (PGP only)	129900
④	Nozzle Insertion Collar	123200
⑤	Riser Service Tool (I-60)	279100
⑥	Hand Pump-Water Extraction	460302



## Accessories

---

Item	Description	Catalog No.
①	Wrench	172000
②	Valve Pressure Gauge	S16538
③	Sub-Surface Stabilizer Flange (1-25/1-35/1-40)	222700









#### **STATEMENT OF WARRANTY**

Hunter Industries Incorporated (“Hunter”) warrants the following products to be free of defects in materials or workmanship under normal use for a period of two (2) years from the original date of manufacture: PGP-ADJ®, PGJ, MP Rotator family, PS family, PS Ultra family, Spray Nozzles, PCN, PCB, AFB, HPV, PGV family, SRV, SRC, X-Core family, Pro-C family, ROAM, SVC, WVP, WVS, PLD, PACZ, PCZ, AVB, PSR, HCV, SJ, HFT family, SBE family, RZWS, NODE and ET System. Hunter warrants the following products to be free of defects in materials or workmanship under normal use for a period of three (3) years from the original date of manufacture: PGP Ultra family. Hunter warrants the following products to be free of defects in materials or workmanship under normal use for a period of one (1) year from the original date of manufacture: SRM family, Micro Sprays and Stream Drippers. Hunter warrants the following products to be free of defects in materials or workmanship under normal use for a period of five (5) years from the original date of manufacture: I-20, I-25, I-35, I-40, I-60 and I-90 families, Pro-Spray® family, Pro-Spray® PRS30 family, and Pro-Spray® PRS40 family, G-Spray, ICC, I-Core family and ACC controller families, ICD Decoder Products, ICR Remotes, IMMST™ Central Control Products, “Clik” Sensors, Solar-Sync, HQ, ICV plastic, and IBV brass valves, ICZ and PLD tubing. If a defect in a Hunter product is discovered during the applicable warranty period, Hunter will repair or replace, at its option, the product or the defective part. This warranty does not extend to repairs, adjustments, or replacement of a Hunter product or part that results from misuse, negligence, alteration, modification, tampering, or improper installation and/or maintenance of the product. This warranty extends only to the original installer of the Hunter product. If a defect arises in a Hunter product or part during the warranty period, you should contact your local Hunter Authorized Distributor.

HUNTER’S OBLIGATION TO REPAIR OR REPLACE ITS PRODUCTS AS SET FORTH ABOVE IS THE SOLE AND EXCLUSIVE WARRANTY SET FORTH BY HUNTER. THERE ARE NO OTHER WARRANTIES, EXPRESSED OR IMPLIED, INCLUDING WARRANTIES OF MERCHANTABILITY AND FITNESS FOR A PARTICULAR PURPOSE. HUNTER WILL NOT BE LIABLE TO ANY PARTY IN STRICT LIABILITY, TORT, CONTRACT, OR ANY OTHER MANNER FOR DAMAGES CAUSED OR CLAIMED TO BE CAUSED AS A RESULT OF ANY DESIGN OR DEFECT IN HUNTER’S PRODUCTS, OR FOR ANY SPECIAL, INCIDENTAL OR CONSEQUENTIAL DAMAGES OF ANY NATURE.

If you have any questions concerning the warranty or its application, please write to:  
Marketing Department, Hunter Industries Incorporated,  
1940 Diamond Street, San Marcos, CA 92078, U.S.A.

#### **ASAE CERTIFICATION STATEMENT**

Hunter Industries Incorporated certifies that pressure, flow rate, and radius data for these products were determined and listed in accordance with ASAE Standard S398.1, Procedure for Sprinkler Testing and Performance Reporting, and are representative of performance of production sprinklers at the time of publication. Actual product performance may differ from the published specifications due to normal manufacturing variations and sample selection. All other specifications are solely the recommendation of Hunter Industries Incorporated.

# Hunter®

Rainpro GmbH  
Schützenstrasse 5  
21407 Deutsch Evern  
Tel: 04131-9799-0  
Fax: 04131-79205  
e-mail: [info@rainpro.de](mailto:info@rainpro.de)  
[www.rainpro.de](http://www.rainpro.de)

ROTORS SPRAYS MP ROTATOR VALVES CONTROLLERS SENSORS CENTRAL CONTROLS MICRO



21-1494.RevE  
11/09